



60W/120W/180W/240W

LED SOLAR STREET LIGHT Model : EGE-SSL-0335

The features of this solar street light is a semi-split design. The light engine and battery are built right into the LED fixture, the lamp body is separated from the solar panel. No need for a power source which eliminates the need for wiring and trenching.

- Fully programmable via solar controller and photo control
- Built-in battery and solar controller
- Advanced new LiFePO4 battery lasts at least 2000 charge cycles and will last three nights with one day charge
- Perfect for street , parks, parking lots, school campuses, etc.



PRODUCT DETAILS

Solar Panel

High quality monocrystalline silicon material, high charging efficiency, long lifespan

Battery

Long battery lifespan and more durable, even use in the -20°C~65°C area



LED Chip

Moisture-proof and waterproof, high quality LED chip has a wide lighting range.

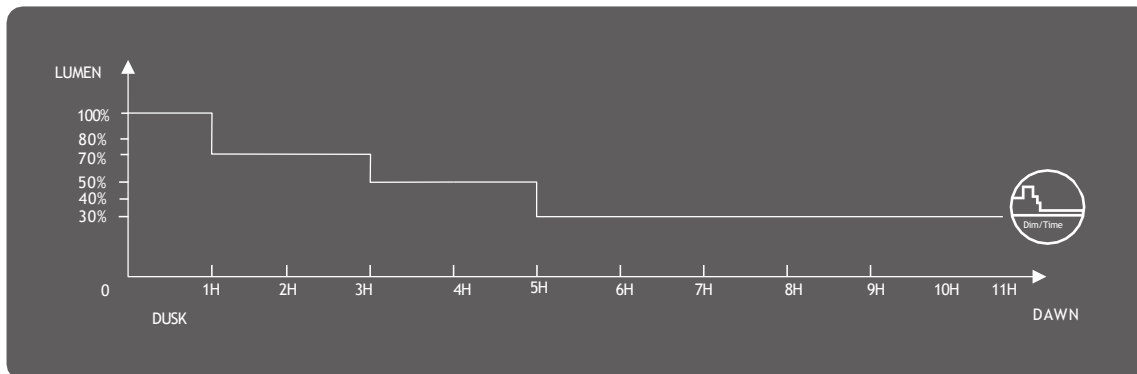
Optical Lens

The Lens makes the light spot is uniform, there is no astigmatism, no shadow, and the transmittance is very high, which maximizes the utilization of LED light.

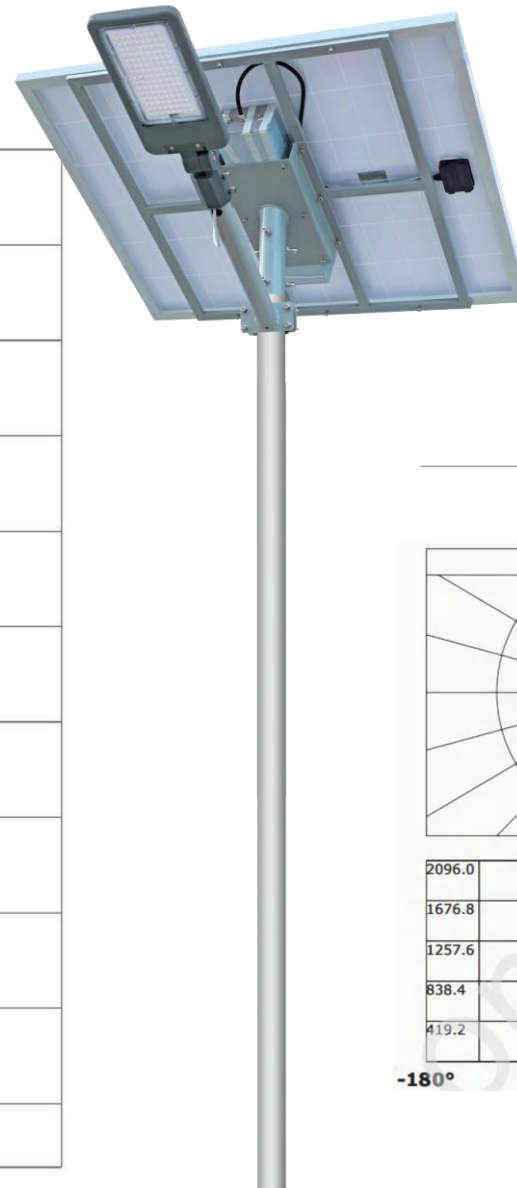
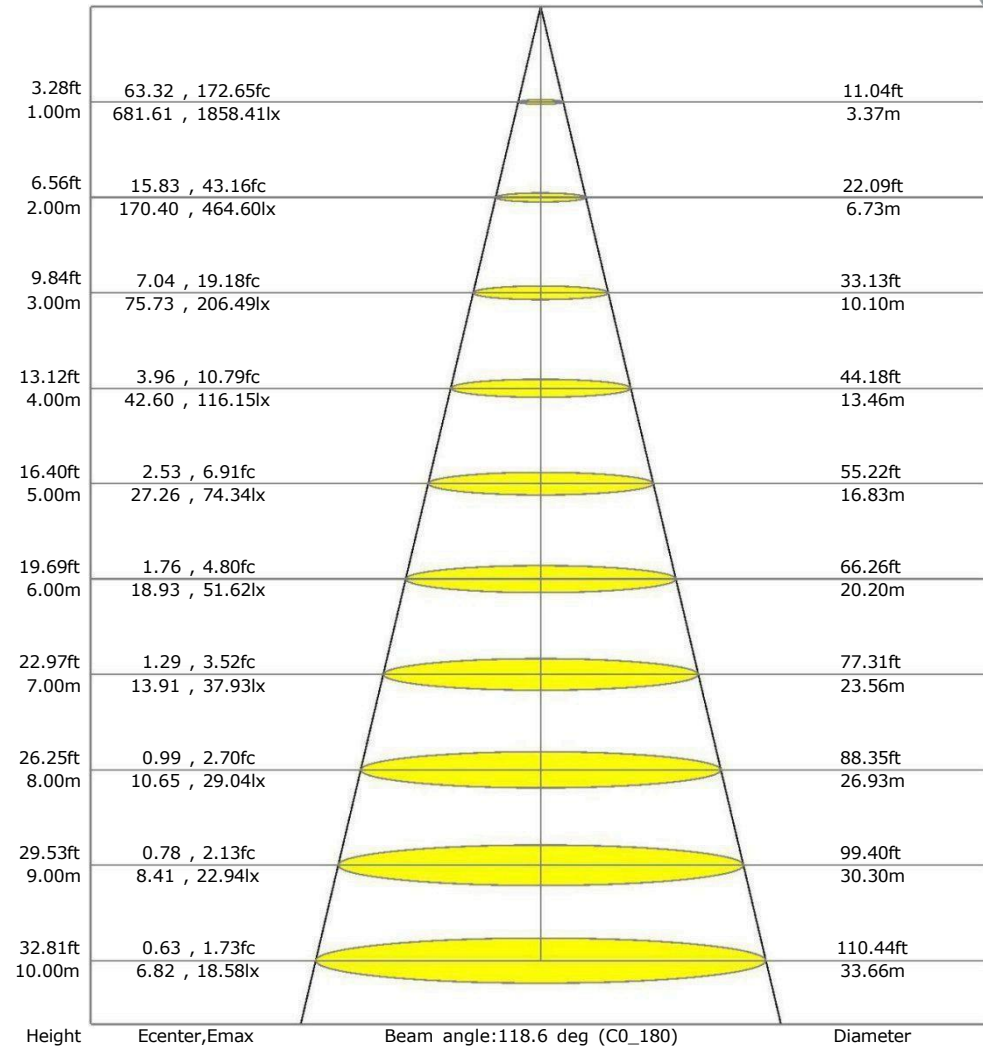
Die-casting Aluminum Lamp Housing

The lamp housing is made of die-casting aluminum, anodizing treatment on surface, and no fade. which is strong and stable, waterproof and rust-proof.

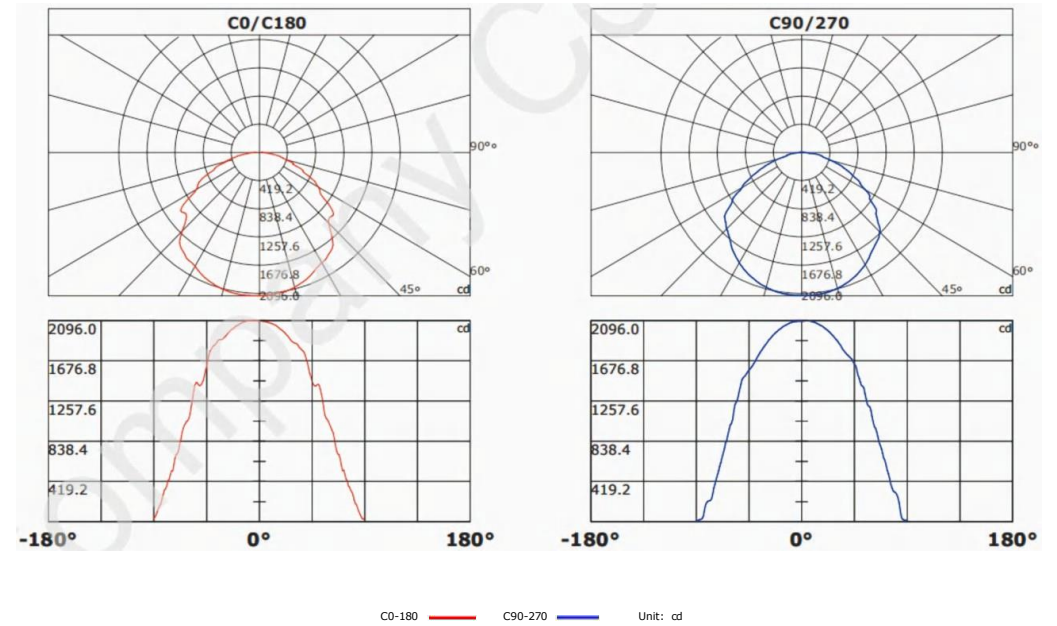
HOW THE LIGHT WORKS



LX-DISTANCE DIAGRAM



PHOTOMETRICS



C0-180 — C90-270 Unit: cd

SOLAR STREET LIGHT

60W

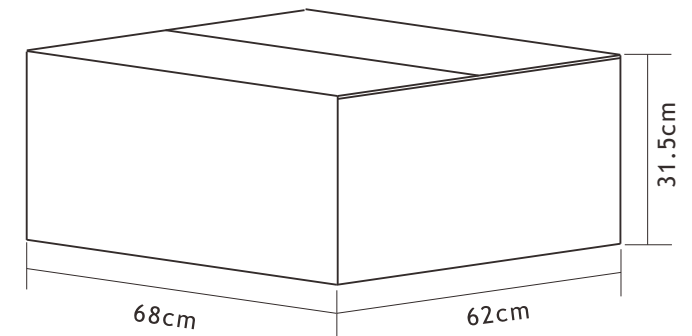
PRODUCT SPECIFICATION

| | |
|------------------|--------------------------|
| Model | EGE-SFL-0335-060 |
| LED Lamp | 3030 LED 60PCS 6000K |
| Solar Panel | 18V 64W, Monocrystalline |
| Battery Type | LiFePO4 12.8V 36AH |
| Charging Time | 6-8 hours |
| Discharging Time | 30-36 hours |
| led | 160 lm/w |
| Material | Die-casting Aluminum |
| Product Size | 503*169*85mm |
| Install Height | 4-6m |
| Warranty | 3 Years |



PACKAGING SPECIFICATION

| P/N | Power | Packing Size(CM) | | | PCS/CTN | CBM/CTN | G.W/CTN(KGS) |
|------------------|-------|------------------|-------|-------|---------|---------|--------------|
| | | L | W | H | | | |
| EGE-SFL-0335-060 | 60W | 68.00 | 62.00 | 31.50 | 1 | 0.1328 | 16.20 |

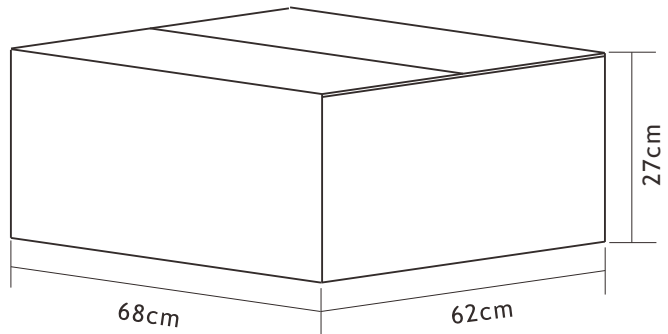


SOLAR STREET LIGHT

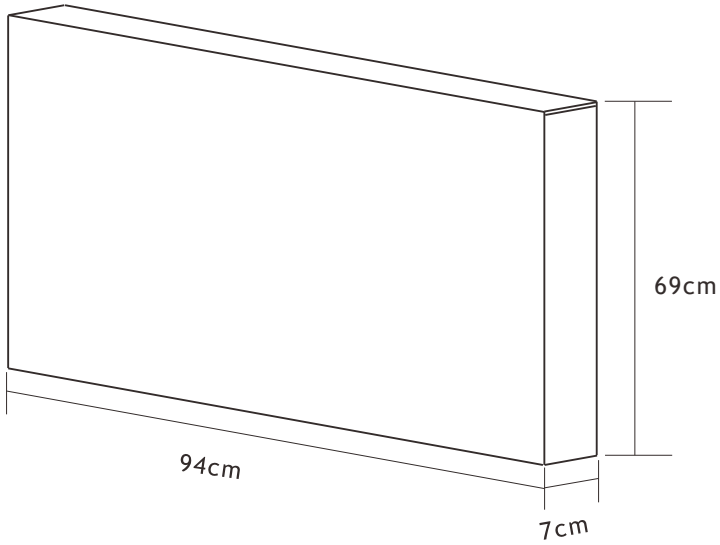
120W

PRODUCT SPECIFICATION

| | | |
|------------------|--------------------------|--|
| Model | EGE-SFL-0335-120 | |
| LED Lamp | 3030 LED 120PCS 6000K | |
| Solar Panel | 18V 90W, Monocrystalline | |
| Battery Type | LiFePO4 12.8V 48AH | |
| Charging Time | 6-8 hours | |
| Discharging Time | 30-36 hours | |
| led | 160 lm/w | |
| Material | Die-casting Aluminum | |
| Product Size | 568*210*75mm | |
| Install Height | 6-8m | |
| Warranty | 3 Years | |



Lamp body and battery accessories



Solar panel

PACKAGING SPECIFICATION

Package lamp body and battery accessories

| P/N | Power | Packing Size(CM) | | | PCS/CTN | CBM/CTN | G.W/CTN(KGS) |
|------------------|-------|------------------|-------|-------|---------|---------|--------------|
| | | L | W | H | | | |
| EGE-SFL-0335-120 | 120W | 68.00 | 62.00 | 27.00 | 1 | 0.1138 | 15.70 |


Solar panel packaging

| P/N | Power | Packing Size(CM) | | | PCS/CTN | CBM/CTN | G.W/CTN(KGS) |
|------------------|-------|------------------|------|-------|---------|---------|--------------|
| | | L | W | H | | | |
| EGE-SFL-0335-120 | 120W | 94.00 | 7.00 | 69.00 | 1 | 0.0454 | 7.20 |

SOLAR STREET LIGHT

180W

PRODUCT SPECIFICATION

| | | |
|------------------|---------------------------|--|
| Model | EGE-SFL-0335-180 |  |
| LED Lamp | 3030 LED 180PCS 6000K | |
| Solar Panel | 18V 120W, Monocrystalline | |
| Battery Type | LiFePO4 12.8V 54AH | |
| Charging Time | 6-8 hours | |
| Discharging Time | 30-36 hours | |
| led | 160 lm/w | |
| Material | Die-casting Aluminum | |
| Product Size | 659*250*79mm | |
| Install Height | 8-10m | |
| Warranty | 3 Years | |

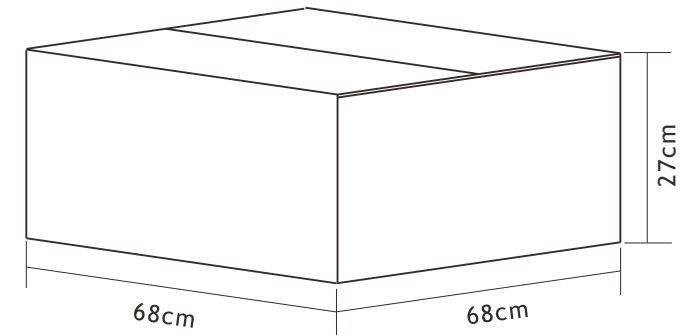
PACKAGING SPECIFICATION

Package lamp body and battery accessories

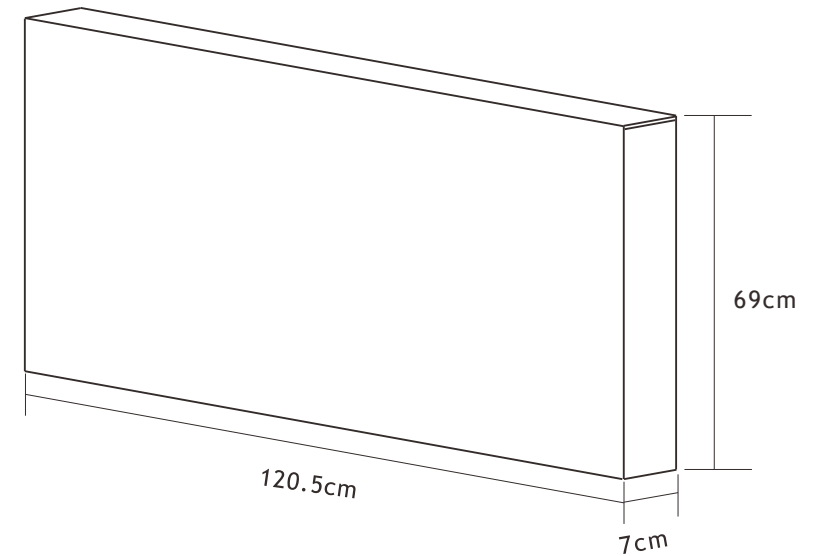
| P/N | Power | Packing Size(CM) | | | PCS/CTN | CBM/CTN | G.W/CTN(KGS) |
|------------------|-------|------------------|-------|-------|---------|---------|--------------|
| | | L | W | H | | | |
| EGE-SFL-0335-180 | 180W | 68.00 | 68.00 | 27.00 | 1 | 0.1248 | 23.00 |

Solar panel packaging

| P/N | Power | Packing Size(CM) | | | PCS/CTN | CBM/CTN | G.W/CTN(KGS) |
|------------------|-------|------------------|------|-------|---------|---------|--------------|
| | | L | W | H | | | |
| EGE-SFL-0335-180 | 180W | 120.50 | 7.00 | 69.00 | 1 | 0.0582 | 8.20 |



Lamp body and battery accessories



Solar panel

SOLAR STREET LIGHT

240W

PRODUCT SPECIFICATION

| | | |
|------------------|---------------------------|--|
| Model | EGE-SFL-0335-240 | |
| LED Lamp | 3030 LED 240PCS 6000K | |
| Solar Panel | 18V 150W, Monocrystalline | |
| Battery Type | LiFePO4 12.8V 60AH | |
| Charging Time | 6-8 hours | |
| Discharging Time | 30-36 hours | |
| led | 160 lm/w | |
| Material | Die-casting Aluminum | |
| Product Size | 734*300*95mm | |
| Install Height | 10-12m | |
| Warranty | 3 Years | |

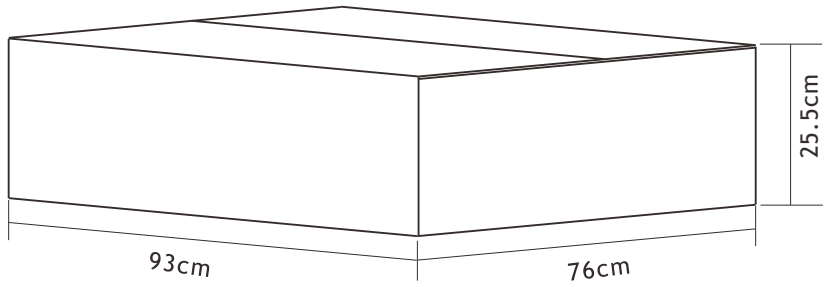
PACKAGING SPECIFICATION

Package lamp body and battery accessories

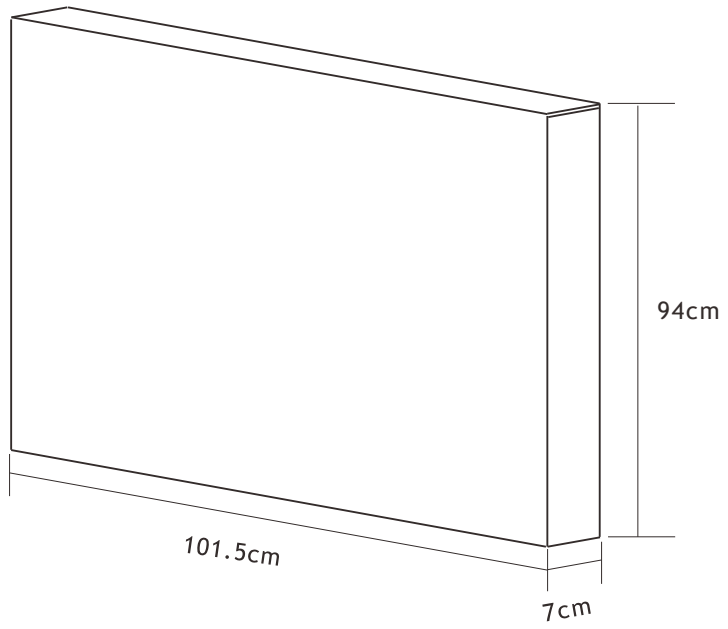
| P/N | Power | Packing Size(CM) | | | PCS/CTN | CBM/CTN | G.W/CTN(KGS) |
|------------------|-------|------------------|-------|-------|---------|---------|--------------|
| | | L | W | H | | | |
| EGE-SFL-0335-240 | 240W | 93.00 | 76.00 | 25.50 | 1 | 0.1802 | 23.80 |

Solar panel packaging

| P/N | Power | Packing Size(CM) | | | PCS/CTN | CBM/CTN | G.W/CTN(KGS) |
|------------------|-------|------------------|------|-------|---------|---------|--------------|
| | | L | W | H | | | |
| EGE-SFL-0335-240 | 240W | 101.50 | 7.00 | 94.00 | 1 | 0.0668 | 13.50 |

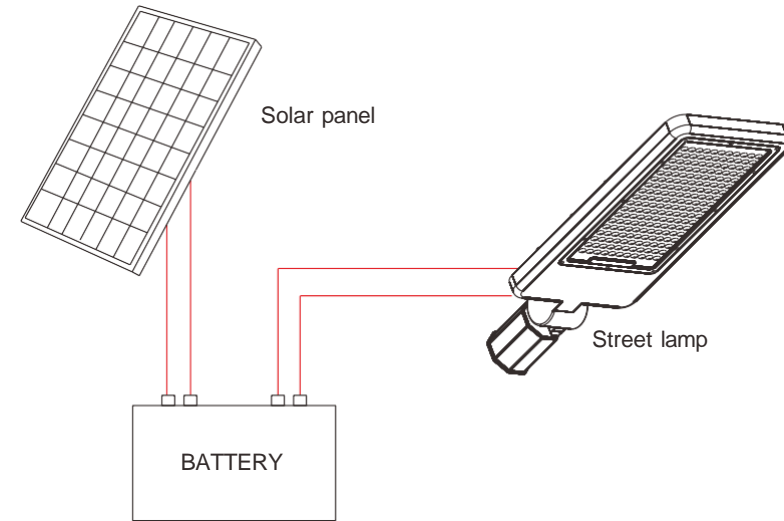
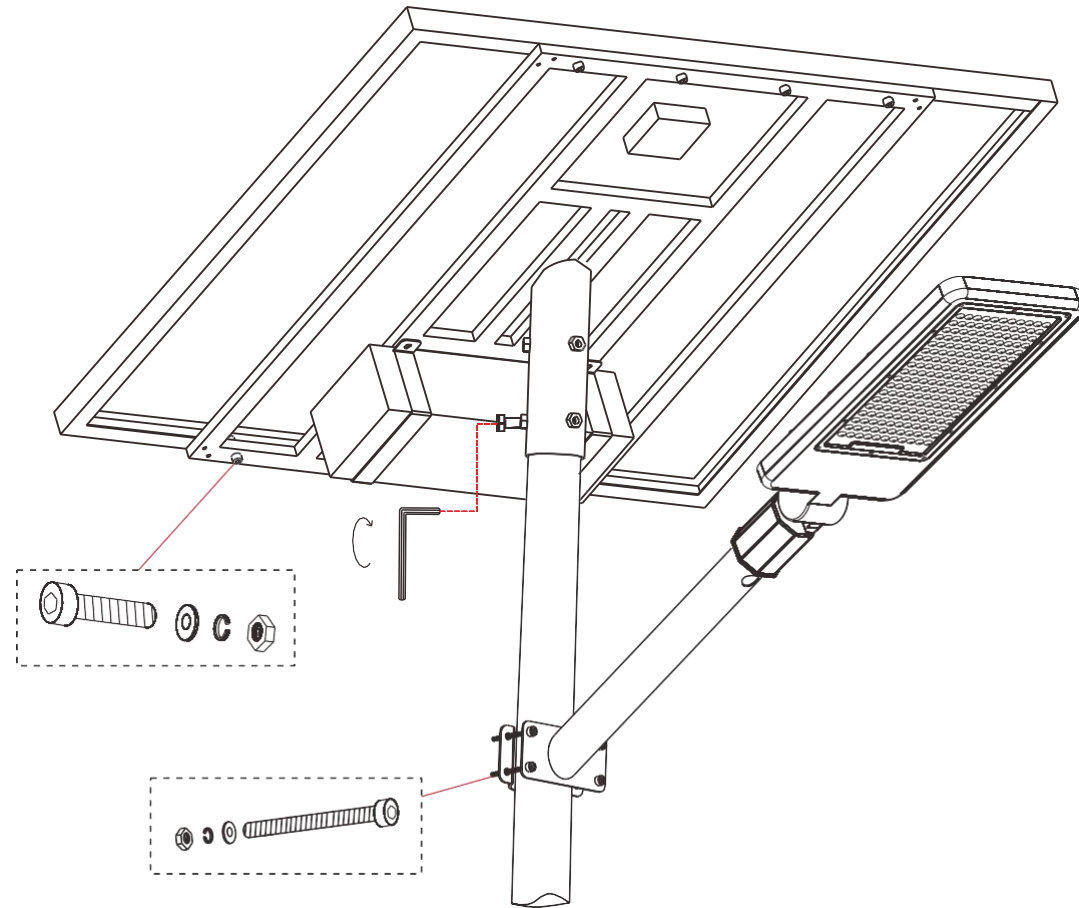


Lamp body and battery accessories



Solar panel

INSTALLATION GUIDE



WARNING

- Please avoid looking directly at the light.
- Dismantling process must be carried out in a safe place.
- Do not short-circuit, disassemble; do not put in the water and near the fire. Without the guidance of experts, users are forbidden to repair or dismantle the lights; The supplier shall not be responsible for any consequences owing to incorrect operation or wrong maintained by users.