

# V Series



Authorized Agent :  
EGE TECHNOLOGY SDN BHD (201201031202)  
www.egetech.com.my



## LED Emergency Exit Sign Light



### Features:

- Suitable for wet location.
- Light weight and compact structure.
- Integrated junction box for driver with emergency backup.
- Ingress protection rating IP66.
- Low energy consumption. 3-hour emergency operation.
- Stainless-steel exposed fasteners with high corrosion resistance.
- Alternate exit legend and languages available.
- Sealed unit. BATTERY not replaceable. Replace entire exit sign unit when necessary.



### Two Options of Function:

- Model 1: EXIT sign remains on with or without mains electricity.
- Model 2: EXIT sign does not light up when there is mains electricity, but only lights up when there is a power outage.

### Specifications:

<b>Models</b>	Ex-*WVNRD180 (utilize red LEDs) Ex-*WVNGD180 (utilize green LEDs)
<b>Electrical Data</b>	100-277VAC, 50/60Hz, Maximum input power 3W, Um=305V
<b>Emergency Time</b>	3 hours
<b>Lifespan</b>	50,000 hours
<b>Warranty</b>	5-year limited warranty
<b>Ambient Temperature</b>	0°C to +45°C, when battery is charged; -10°C to +60°C, when battery discharges.

### Certifications:

- ATEX (Certificate Number: CML 23ATEX2356X)



II 2 G Ex ib mb IIC T4 Gb  
II 2 D Ex tb IIIC T130°C Db

- Marking IECEx  
Ex ib mb IIC T4 Gb  
Ex tb IIIC T130°C Db

### Standard Materials:

- Housing: Aluminum
- EXIT sign plate: Tempered glass
- Hardware: Stainless steel
- Mounting Sling: Stainless steel

### Explanation of Indicator Light:

- If three or two indicator lights remain on during initial power on, it is necessary to reset them by detecting the switch: press the switch "ON" for 5 to 6 seconds ->OFF ->ON.
- **RED:**
  1. Fast charging for 2 hours.
  2. Charging indicator, displaying 20% -80% battery capacity.
- **GREEN:**
  1. Trickle charging.
  2. Charging indicator, displaying 80% -100% battery capacity.
  3. Green light on when disconnecting the battery.
- **RED and GREEN:**  
Red and Green flashes alternately for 5 minutes, indicating that it is at 80% battery capacity.
- **YELLOW:**
  1. Discharge below 20%.
  2. If the yellow light is on in any state, the product is out of order.

### Description of Switch:

- 1. Press the switch "ON" once, the EXIT sign and indicator light will flash once, with an ON/OFF interval of 10 seconds.
- 2. With mains electricity disconnected, long press and hold the switch for 3 to 5 seconds to turn off the product. If the EXIT sign needs to be turned on again, it will be activated through mains electricity.
- 3. The product will automatically have monthly inspection. EXIT sign and indicator light will flash once every 30 or 31 days.
- 4. The product will automatically have an annual inspection. EXIT sign and indicator light will flash twice every year.

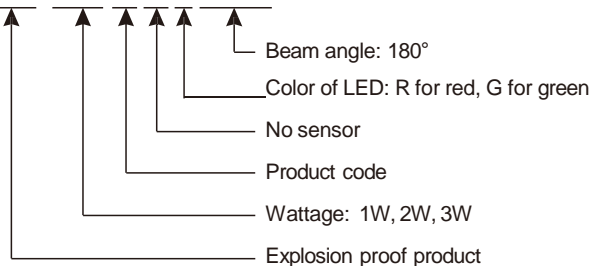


Image: Indicator light LED and Tact Switch

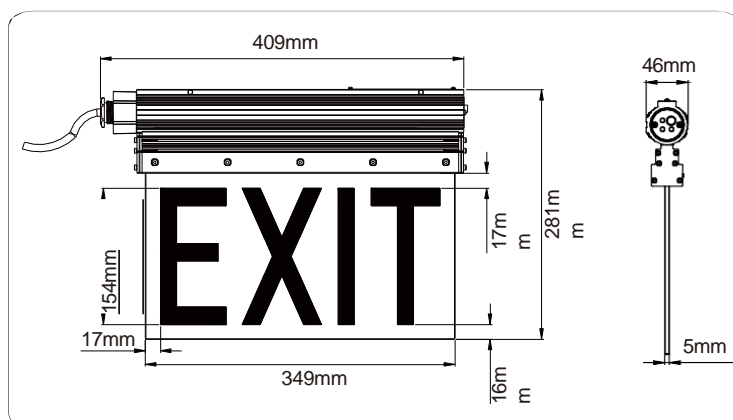
# V Series LED Emergency Exit Sign Light

## Model Encoding:

EX- \* W V N \* D180



## Dimension:

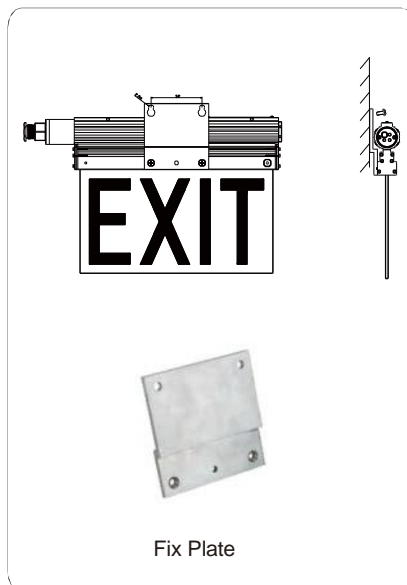


## Mounting:

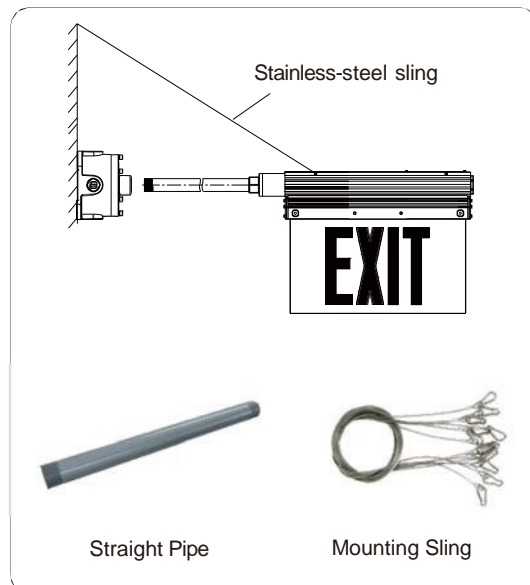
### ◆ Pendant Mounting:



### ◆ Wall Mounting:



### ◆ Pipe Mounting:



## Packing Information:

Model	Quantity/Carton	Packing Size	Net Weight	Gross Weight
V Series	2 Pcs	470x470x260mm	3.3 kg	7 kg