

PN:487265 220V/50Hz 、 486122 230V/50Hz 、 489635 110V/50Hz
 483636 240V/50Hz 、 483958 240V/50Hz 、 482316 220V/60Hz
 487655 110V/50Hz

Introduction

► **Feature**

Drum type		Large Drum	Small Drum
Pulling capacity kg		1,500	2,500
Rope speed m / min	50 Hz	4.0	2.5
	60 Hz	5.0	3.0
Gear train		hypoid gear plus spur gears	
Gear ratio		154:1	
Motor rating IP44 , kw x p		0.6 x 4	
Drum dimension mm	width	124	104
	drum dia.	110	74
	flange dia.	166	94
Percentage Duty Cycle		25% ED	

► **Unpacking**

- Rope arm 1pc
- Base plate, except for PN:489635 1pc
- Wire rope 8 mm x 50 m, except for PN:489635 483958 1pc
- Detachable rope storage roller 1pc
- Foot control kit with 2.0 mm² x 3C x 2 m lead 1pc
- Power lead 1.5 mm² x 3C x 3 m and plug 1pc

► **Read this manual carefully**

You should carefully read and understand this manual before operating it. Careless winch operation may result in personal injury hazards or property damage.

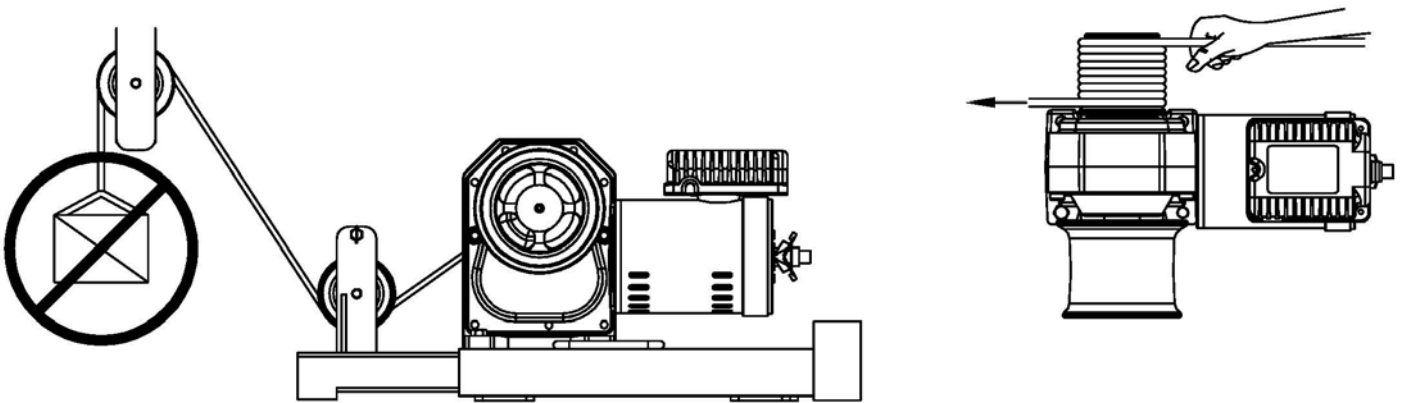
► **Information requesting or parts ordering**

Please specify the followings information:

- Winch PN
- Part description
- Quantity for each part
- Serial number
- Replacement part number

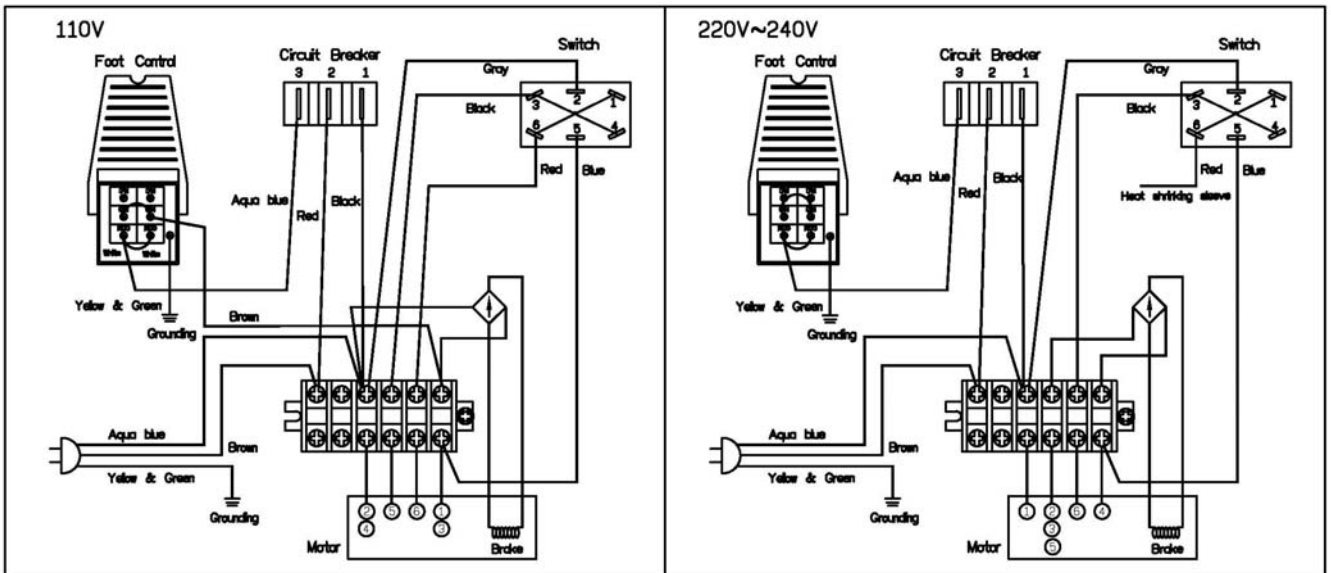
Installation

1. Install this machine on the ground horizontally.
2. Confirm that the machine voltage complies with the power source.
3. Connect the power cord with the power source, set the over – load protection switch in to the “RESET” position.
4. Press the “Foot Control” down, the drum rotates in a clockwise direction and make sure there is no noisy sound level or malfunction.
5. Release the “Foot Control” to have an emergency stop. The brake performs inter – locked and motor has instantly hold the load while power failure.



Vertical Lifting Not Allow

► Wiring Diagram



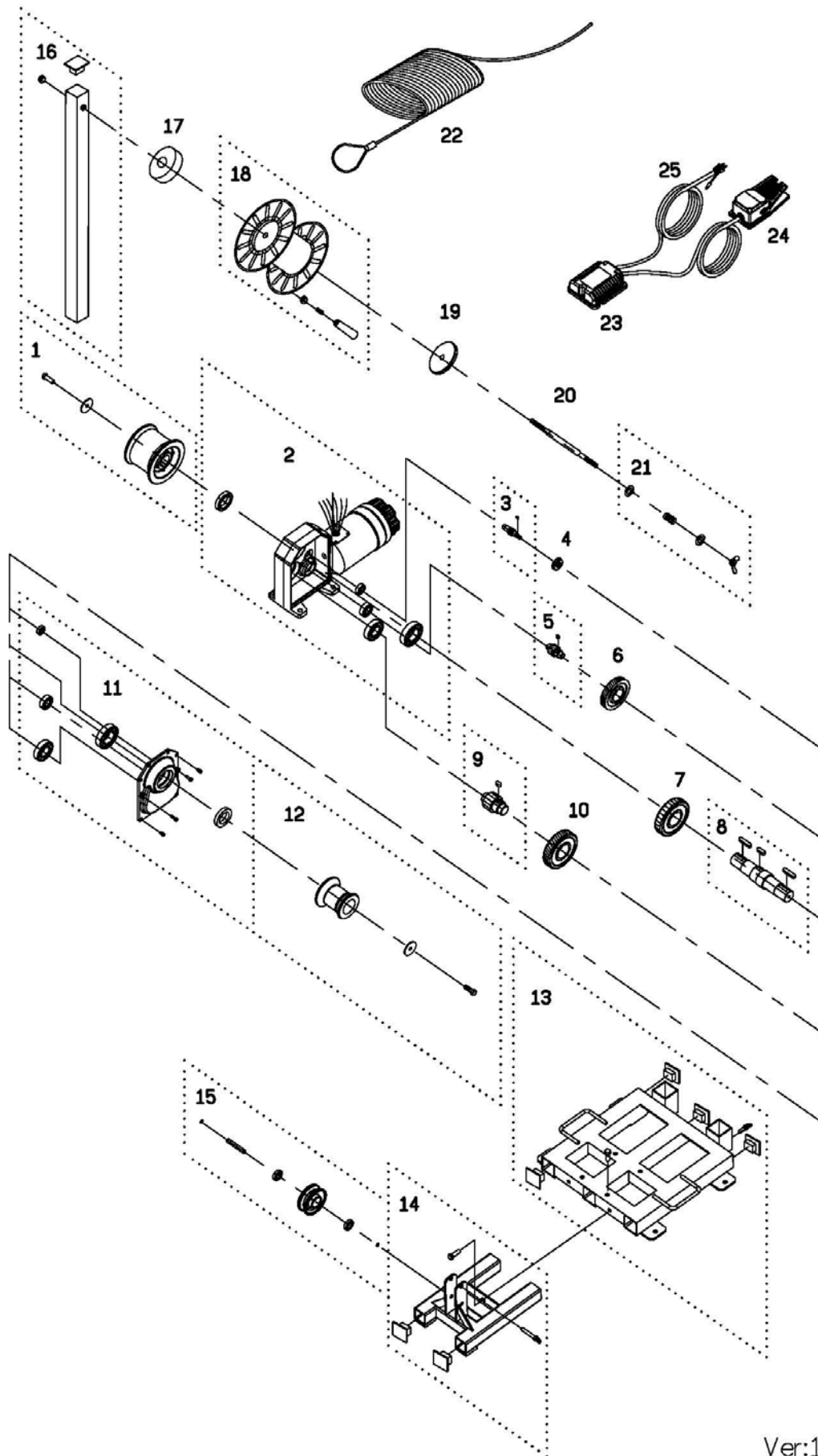
Warning

- The cable puller is not intended to be used in any manner for the movement or lifting of personnel
- The rated capacity shown is based on the first layer of rope on the drum
- The rope winding on the drum shall remain 5 wraps from the drum

Parts List

Ref No.	Description	Part Number	Qty
1	Drum A kit	880873	1
2	Motor kit, 110V/220V, 60Hz	880896	1
	Motor kit, 110V/220V/230V, 50Hz	880897	1
	Motor kit, 120V/240V, 50Hz	880898	1
3	2 nd shaft	880874	1
4	1 st gear	880875	1
5	3 rd shaft	880876	1
6	2 nd gear	880877	1
7	4 th gear	880878	1
8	Output shaft	880879	1
9	4 th shaft	880880	1
10	3 rd gear	880881	1
11	Gearbox cover kit	880882	1
12	Drum B kit	880883	1
13	Base plate kit	880884	1
14	Sheave guider kit	880885	1
15	Divertor kit	880886	1
16	Drum bracket	880887	1
17	Foot pad	880888	1
18	Rope wheel kit	880889	1
19	Pulley block	880890	1
20	Fix shaft	880891	1
21	Wing nut kit	880892	1
22	Wire rope	880893	1
23	Terminal box kit, 110V, 50Hz	880899	1
	Terminal box kit, 220V/230V, 50/60Hz	880901	1
	Terminal box kit, 240V, 50Hz	880902	1
24	Foot control kit	880894	1
25	Power lead, 3 flat pins plug	880904	1
	Power lead, 3 round pins plug	880905	1

Winch Assembly



Ver:1