



Series 324, 334, 344, 374 Product Overview

Features:

- U-hook style latch clamps supplied with threaded U-hooks for easy adjustment
- Supplied with latch plate and patented thumb control lever for one handed operation
- DE-STA-CO® Toggle Lock Plus versions available
- Stainless steel available as **-SS** models.

Applications:

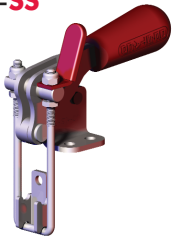
- Molding
- Closures for doors, lids, covers
- Assembly

Also Available:

- Clamps with longer hooks available Upon Request that are 25mm, 50mm, 100mm longer than standard length
- To order clamp with longer hook, add **-M-25**, **-M-50**, or **-M-100** to the end of the model. Example: 324-**M-50**

Covered under one year or more U.S./International Patents

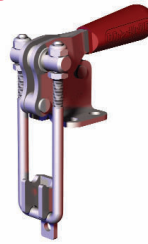
324
324-SS



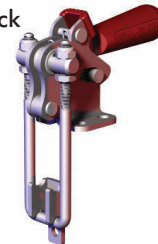
324-R
with DE-STA-CO®
Toggle Lock
Plus



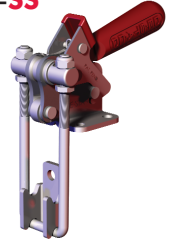
334
334-SS



334-R
with DE-STA-CO®
Toggle Lock
Plus



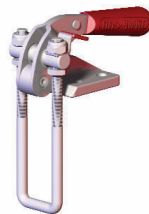
344
344-SS



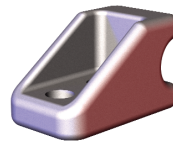
344-R
with DE-STA-CO®
Toggle Lock
Plus



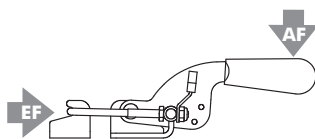
374



374107
Optional
Latch Plate
for 374



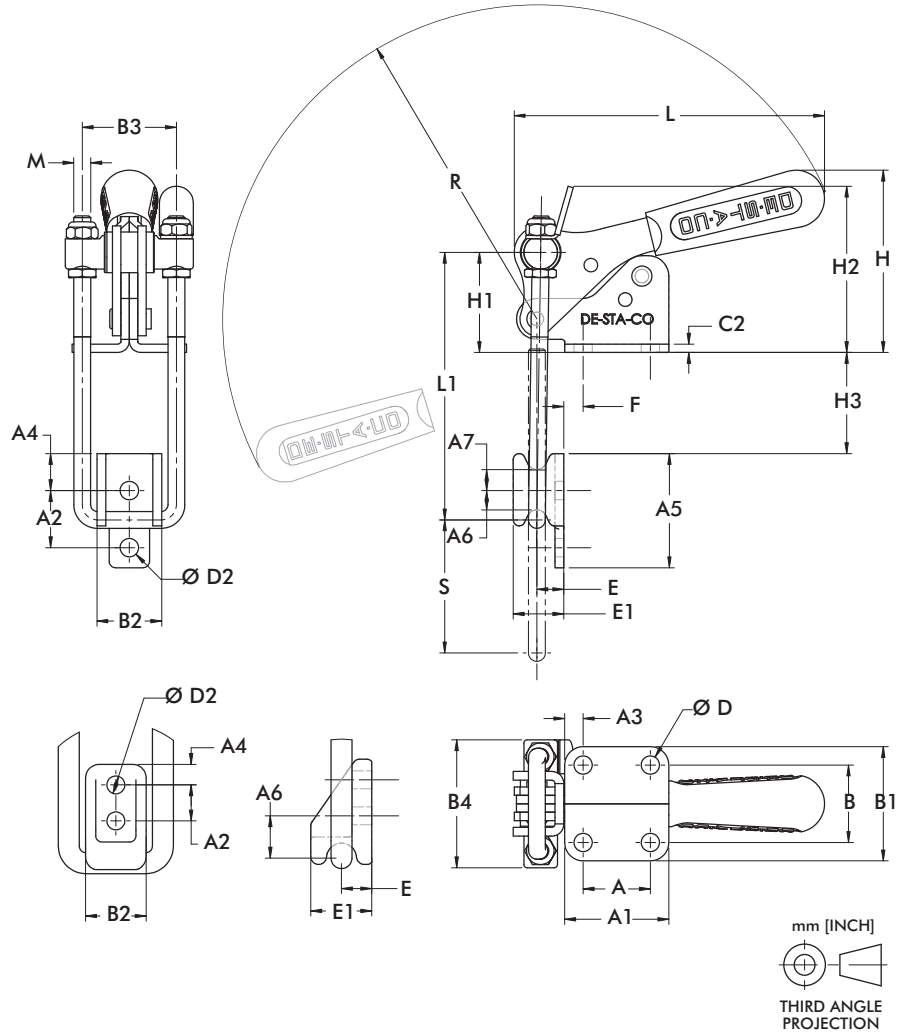
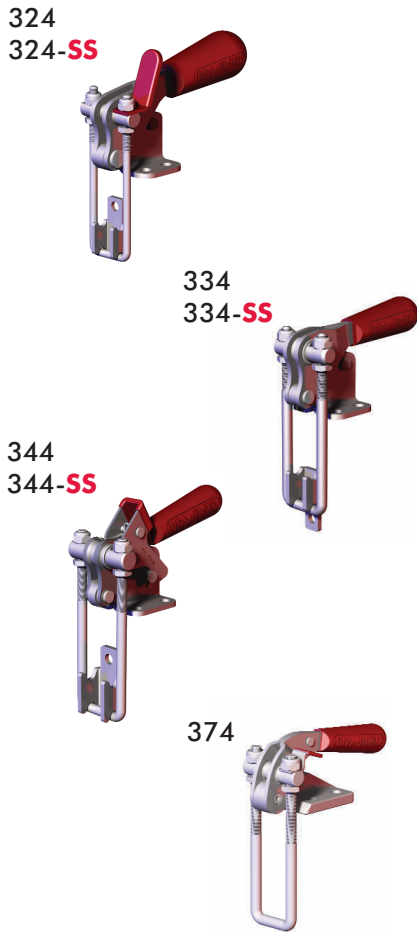
Series 324, 334, 344, 374 Technical Information, Holding Capacities



Model	Max. Holding Capacity	Weight	EF:AF	(S) Drawing Movement	Latch Plate (Supplied)	Replacement Hook Assembly
324			31:1	38,7 [1.53]	323101	324215
324-SS	[500 lbf] 2200 N	[0.25lb] 0,11kg			323901	324915
324-R					323101	324215
334			45:1	51,7 [2.04]	334101	334215
334-SS	[1000 lbf] 4450 N	[0.60lb] 0,27kg			334901	334915
334-R					334101	334215
344			36:1	62,4 [2.46]	344101	344215
344-SS	[2000 lbf] 8900 N	[1.50lb] 0,68kg			344901	344915
344-R					344101	344215
374	[4000 lbf] 17800 N	[2.10lb] 0,95kg		44,5 [1.75]	*374107 (Optional)	374215

EF = Exerting Force, AF = Applied Force

Series **324, 334, 344, 374** Standard Clamp Dimensions
324/334/374/-SS



Model	A	A1	A2	A3	A4	A5	A6	A7	B	B1	B2	B3	B4	C2
324	[0.50]	[1.00]	[0.56]	[0.25]	[0.28]	[1.00]	[0.19]	[0.19]	[0.88]	[1.38]	[0.53]	[0.81]	[1.19]	[0.09]
324-SS	2,7	25,4	14,2	6,4	7,1	25,4	4,8	4,8	22,4	35,1	13,5	20,7	30,2	2,4
334	[0.75]	[1.31]	[0.81]	[0.28]	[0.41]	[1.50]	[0.28]	[0.28]	[1.00]	[1.56]	[0.68]	[1.13]	[1.63]	[0.12]
334-SS	19,1	33,3	20,6	7,1	10,4	38,1	7,1	7,1	25,4	39,6	17,4	28,7	41,4	3,1
344	[1.25]	[1.94]	[1.06]	[0.35]	[0.69]	[2.13]	[0.36]	[0.39]	[1.44]	[2.12]	[1.20]	[1.75]	[2.38]	[0.16]
344-SS	31,8	49,3	27	8,0	17,5	54	9,1	9,9	36,6	53,8	30,6	44,5	60,5	4
374	[2.43]	[0.67]	[0.68]	[0.68]	[0.38]	[1.96]	[0.70]	--	[1.50]	[2.50]	[1.13]	44,5	[2.36]	[0.37]
	61,7	17	17,3	17,3	9,7	49,7	17,9	--	38,1	63,5	28,6		60	9,4

Model	ØD	ØD2	F	H	H1	H2	H3	E	E1	L	L1 MAX	R	M	S
324	[0.20]	[0.17]	[2.25]	[1.91]	[1.10]	[1.97]	[0.92]	[0.19]	[0.38]	[3.49]	[2.56]	[3.49]	M4	[1.53]
324-SS	5,1	4,3	6,4	48,5	28	50,1	[23,4]	4,4	9,7	88,7	65,1	88,8	M4	38,7
334	[0.28]	[0.22]	[0.28]	[2.37]	[1.55]	[2.68]	[1.34]	[0.35]	[0.63]	[4.10]	[3.70]	[4.12]	M6	[2.04]
334-SS	7,1	5,6	7,1	60,1	39,3	68	34	8,8	16	104,2	94	104,5	M6	51,8
344	[0.34]	[0.34]	[0.35]	[3.39]	[1.86]	[7.09]	[1.73]	[0.50]	[0.94]	[5.77]	[5.00]	[5.84]	M8	[2.46]
344-SS	8,6	8,6	8,9	86,1	47,3	78,6	49,1	12,7	23,8	146,6	126,9	148,4	M8	62,4
374	[0.41]	[0.33]	[0.68]	[2.38]	[1.36]	--	[2.40]	[0.56]	[1.13]	[6.60]	[6.04]	[6.04]	M10	[1,75]
	10,3	8,5	17,3	60,5	34,5	--	61	14,3	28,8	167,8	153,5	153,5	M10	44,5

Series **324-R**, **334-R**, **344-R** Standard Clamp Dimensions
-R/-SS

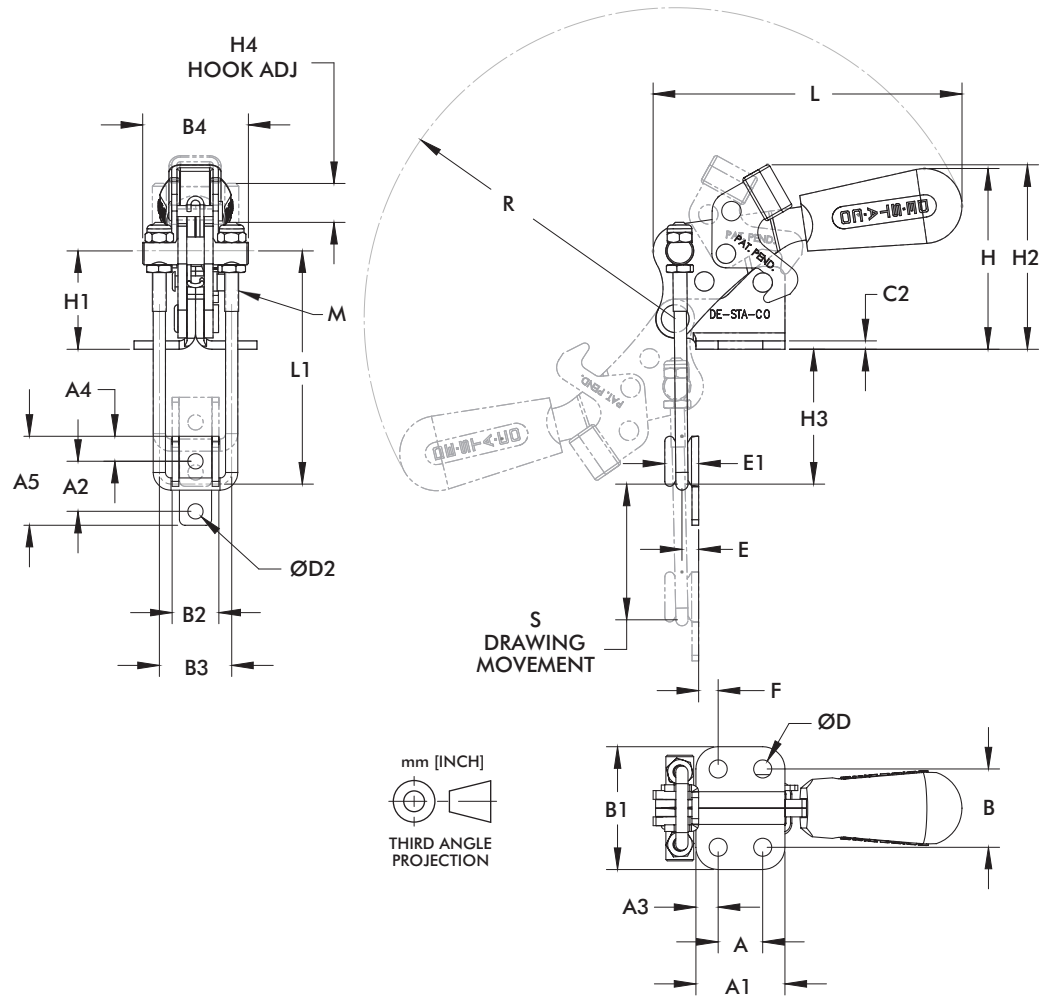
324-R
with DE-STA-CO®
Toggle Lock
Plus



334-R
with DE-STA-CO®
Toggle Lock
Plus



344-R
with DE-STA-CO®
Toggle Lock
Plus



Model	B	B1	B2	B3	B4	C2	D	D2	E	E1	F	H	H1
324-R	[0.88] 22.4	[1.38] 35.1	[.52] 13.3	[0.81] 20.6	[0.44] 11.1	[0.09] 2.4	[0.20] 5.2	[0.17] 4.4	[0.20] 5.2	[0.17] 4.4	[0.22] 5.6	[2.03] 51.6	[1.11] 28.1
334-R	[1.00] 25.4	[1.56] 39.6	[0.68] 17.3	[1.13] 28.6	[1.63] 41.3	[0.12] 3.1	[0.28] 7.1	[0.22] 5.6	[0.35] 8.8	[0.63] 15.9	[0.18] 4.5	[2.37] 60.2	[1.55] 39.3
344-R	[1.00] 25.4	[1.56] 39.6	[0.68] 17.3	[1.13] 28.6	[1.63] 41.3	[0.12] 3.1	[0.28] 7.1	[0.22] 5.6	[0.35] 8.8	[0.63] 15.9	[0.18] 4.5	[2.37] 60.2	[1.55] 39.3

Model	H2	H3	H4	L	L1	M	S	R
324-R	[2.07] 52.7	[1.52] 38.5	[.44] 11.1	[3.47] 88.1	[2.62] 66.6	M4	[1.53] 38.7	[3.49] 88.8
334-R	[2.55] 64.7	[2.22] 56.3	[0.86] 21.8	[4.12] 104.6	[3.76] 95.6	M6	[2.04] 51.7	[4.10] 104.2
344-R	[3.39] 86.0	[3.17] 80.8	[1.17] 29.6	[5.77] 146.5	[5.04] 128.0	M8	[2.46] 62.4	[5.83] 148.1