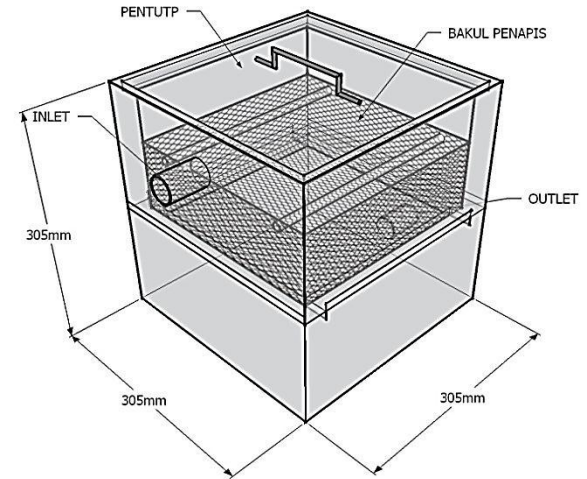


### Sediment Trap :



## Specifications

Model: **SDM01**  
 Material: Stainless Steel 304  
 Thickness: 0.8 mm  
 Inlet pipe size: 1 ½ inch length 3"  
 Outlet pipe size: 1 ½ inch length 3"  
 Flow rate: 20 GPM  
 Capacity: 28 Liter

SIRIM: YES  
 Patent: YES  
 Trade Mark: EJAU  
 Warranty: 5 Years  
 Ready Stock: YES  
 Delivery: Between 3 days  
 Own Factory: YES, In Selangor

## KUALITI ALAM HIJAU (M) SDN BHD

**DRAWING FOR :**

**DRAWING DESCRIPTION :**  
 Material : Stainless Steel 304 Non Rusted

**DATE :** 30/4/2014

**NOTE :**  
 All dimension in MM unless  
 otherwise specified

**Drawn by :** Liza

**Checked by :** Jackson

**Approved by :** Ken