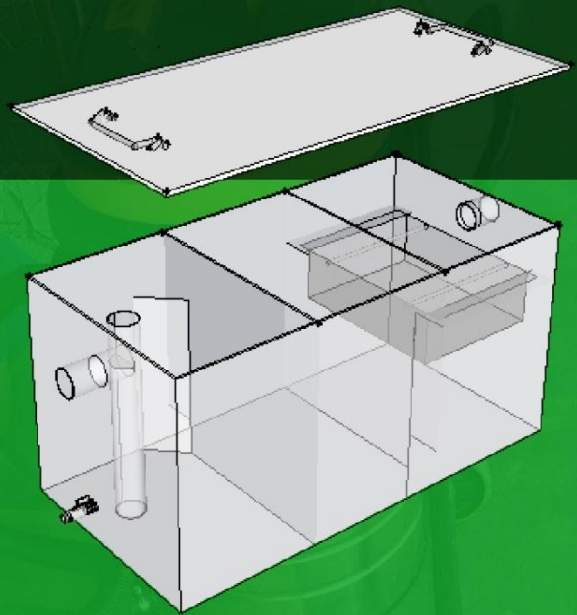


GREASE TRAP GTA01 SS

NEW MODEL
2019

*"No More Clogged and
Stinking Problem".*



MODEL SPECIFICATIONS

Model Name: GTA01 SS

Flow Rate (Minutes): 15 GPM

Meals Served Daily: 40-150

Pipe Size (mm): 40

Grease Trap's Size:

24" (L) x 12" (W) x 12" (H) inches

Maximum Grease & Waste Water

Trap Capacity: 30 litre

Maximum Capacity until Overflow : 57 litre

Material: 304 Stainless Steel

Suitability: Kopitiam/Cafeteria/

Residential/Restaurant/Under Sink



Product Brand:
ULTRAEJAU®