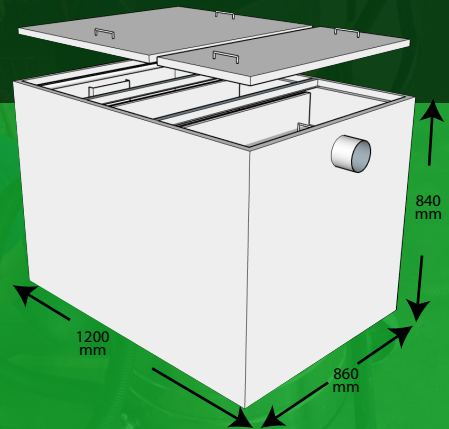


GREASE TRAP GTA3100

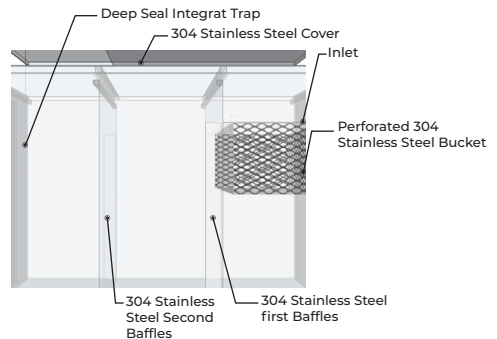
NEW MODEL
2019

*“No More Clogged and
Stinking Problem”.*



MODEL SPECIFICATIONS

Model Name: GTA3100
Flow Rates (Minutes): 100 GPM
Meals Served Daily: 1000-2200
Pipe Size (mm): 4"
Grease Trap's Size:
47" (L) x 34" (W) x 33" (H) inches
**Maximum Grease & Waste Water
Trap Capacity:** 634 litre
**Maximum Capacity until
Overflow:** 866 litre
Material: 304 Stainless Steel
Suitability: Canteen



* In keeping with our policy of updating products we reserve the right to make improvements or changes.



Product Brand:
ULTRAEJAU®