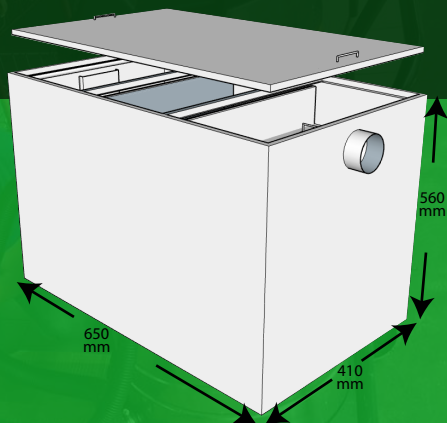


GREASE TRAP GTA325

Approved By
Local Authority

*"No More Clogged and
Stinking Problem".*



MODEL SPECIFICATIONS

Model Name: GTA325

Flow Rate (Minutes): 25 GPM

Meals Served Daily: 250-300

Pipe Size (mm): 3"

Grease Trap's Size:

26" (L) x 16" (W) x 22" (H) inches

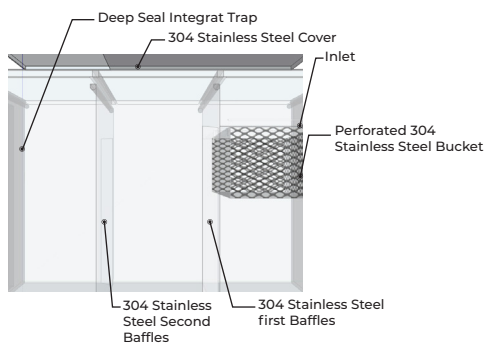
Maximum Grease & Waste Water

Trap Capacity: 94 liter

Maximum Capacity until Overflow: 149 litre

Material: 304 Stainless Steel

Suitability: Mamak Restaurant/
Workshop



* In keeping with our policy of updating products we reserve the right to make improvements or changes.



Product Brand: **ULTRAEJAU**®