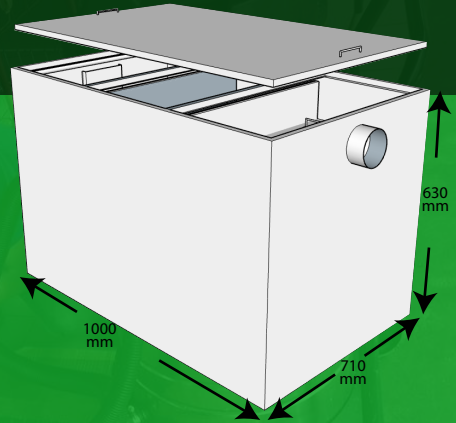


GREASE TRAP GTA375

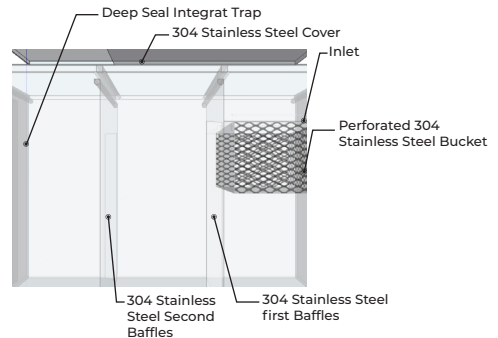
Approved By
Local Authority

*"No More Clogged and
Stinking Problem".*



MODEL SPECIFICATIONS

Model Name: GTA375
Flow Rates (Minutes): 75 GPM
Meals Served Daily: 600-1000
Pipe Size (mm): 4"
Grease Trap's Size:
39" (L) x 28" (W) x 25" (H) inches
**Maximum Grease & Waste Water
Trap Capacity:** 287 litre
Maximum Capacity until Overflow: 447 litre
Material: 304 Stainless Steel
Suitability: Mamak Restaurant/
Workshop/Factory/Canteen



* In keeping with our policy of updating products we reserve the right to make improvements or changes.



Product Brand:
ULTRAEJAU®