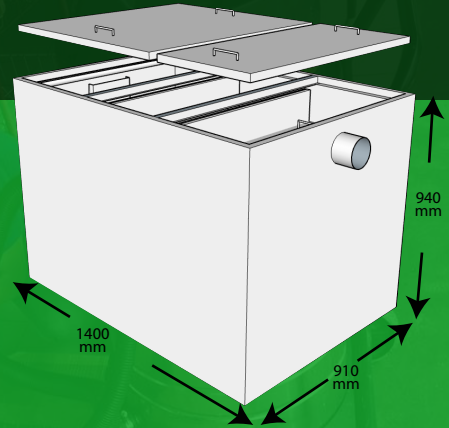


GREASE TRAP GTA3150

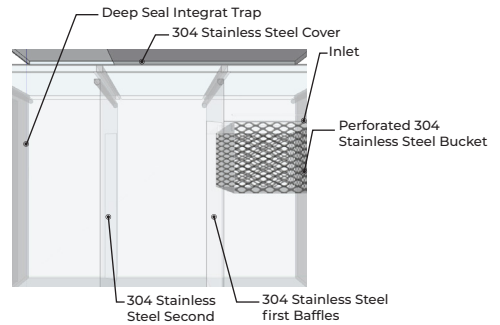
Approved By
Local Authority

*"No More Clogged and
Stinking Problem".*



MODEL SPECIFICATIONS

Model Name: GTA3150
Flow Rates (Minutes): 150 GPM
Meals Served Daily 2200-3200
Pipe Size (mm): 4"
Grease Trap's Size:
55" (L) x 36" (W) x 37" (H) inches
**Maximum Grease & Waste Water
Trap Capacity:** 910 litre
Maximum Capacity until Overflow: 1197 litre
Material: 304 Stainless Steel
Suitability: Factory/Canteen



* In keeping with our policy of updating products we reserve the right to make improvements or changes.



Product Brand:
ULTRAEJAU®