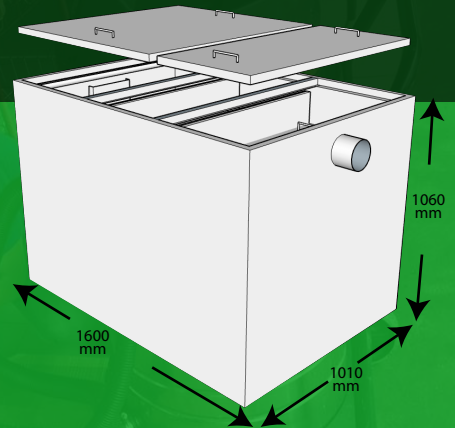


# GREASE TRAP GTA3200

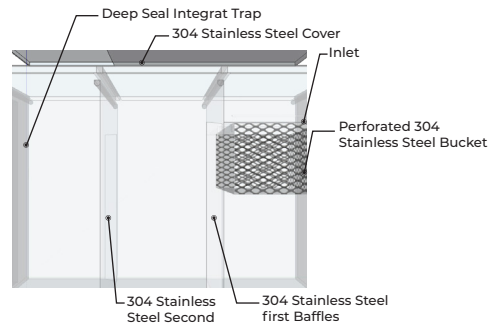
Approved By  
Local Authority

*"No More Clogged and  
Stinking Problem".*



## MODEL SPECIFICATIONS

**Model Name:** GTA3200  
**Flow Rates (Minutes):** 200 GPM  
**Meals Served Daily:** 3200-4400  
**Pipe Size (mm):** 6"  
**Grease Trap's Size:**  
63" (L) x 40" (W) x 42" (H) inches  
**Maximum Grease & Waste Water  
Trap Capacity:** 1212 litre  
**Maximum Capacity until Overflow:** 1712 litre  
**Material:** 304 Stainless Steel  
**Suitability:** Factory/Canteen



\* In keeping with our policy of updating products we reserve the right to make improvements or changes.



Product Brand:  
**ULTRAEJAU**®