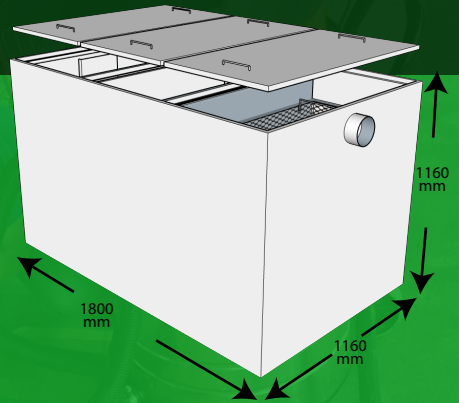


GREASE TRAP GTA3300

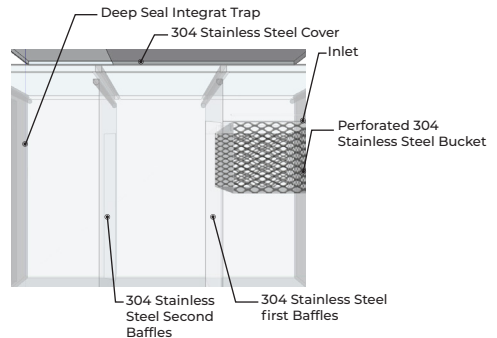
Approved By
Local Authority

*"No More Clogged and
Stinking Problem".*



MODEL SPECIFICATIONS

Model Name: GTA3300
Flow Rates (Minutes): 300 GPM
Meals Served Daily: 6000-6600
Pipe Size (mm): 6"
Grease Trap's Size:
71" (L) x 46" (W) x 46" (H) inches
**Maximum Grease & Waste Water
Trap Capacity:** 1774 litre
**Maximum Capacity until
Overflow:** 2635 litre
Material: 304 Stainless Steel
Suitability: Factory/Canteen/
Hotel



* In keeping with our policy of updating products we reserve the right to make improvements or changes.



Product Brand:
ULTRAEJAU®