

AquaSensors AnalogPlus DO (ppm) Sensor

For challenging process applications

Thermo Scientific™ AquaSensors AnalogPlus™ DO (ppm) Sensor

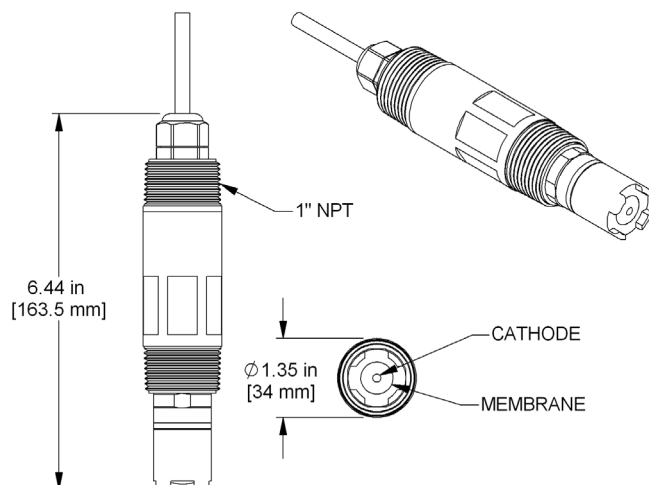
Key features

- Polarographic sensor design for continuous use in the most demanding industrial applications
- Replacement membrane caps for long life
- 0 to 40 ppm measurement range
- 0.01 ppm resolution



AquaSensor AnalogPlus DO (ppm) Sensor

Engineering drawing



Markets and applications

- Municipal and industrial wastewater
- Aquaculture
- Brewing
- Fermentation
- Bio-processing
- Many applications also exist in chemical process, food and dairy, pulp and paper, and other process industries

Engineering specifications

1. The DO sensor uses three-electrode polarographic Clark cell technology consisting of a silver reference electrode, a silver anode and a gold cathode.
2. Hex-shaped wrench flats help to facilitate mounting, and are constructed of a material with exceptional chemical resistance and mechanical strength, which enables the sensor to be installed in metal fittings without leakage, usually caused by heating and cooling cycles when dissimilar materials are threaded together.
3. The sensor has 1 inch NPT threads on both ends to mount into a standard 1 inch pipe tee, a 1.5 inch union mounting, or immersion mounting hardware.
4. The built-in electronics are completely encapsulated and O-ring sealed for protection from moisture and humidity.
5. An integral temperature sensor automatically compensates measured values for changes in process temperature.
6. Replaceable membrane caps has a pre-installed 50-micron thick gas permeable membrane.
7. The sensor is the Thermo Scientific AquaSensors AnalogPlus DO.

AquaSensors AnalogPlus DO (ppm) Sensor

Global support

With experience that comes from supporting our customers for over 35 years throughout the world, our water quality specialists and customer support teams offer a quick, thorough and professional response to any problem encountered.

Focus on user benefits

We work closely with you to define your needs, and ensure you are using the monitor in a way that improves your bottom line. For more information, contact your local water quality specialists or visit: thermofisher.com/water

Product specifications

AquaSensors AnalogPlus DO (ppm) Sensor

	Range: 0 to 40 ppm, 0–200 % saturation
Measurement system performance*	Resolution: 0.01 ppm
	Accuracy: 1% of reading
	Step response time: 90% in 90 seconds
Operational environment	Temperature range: -5°C to 50°C
	Maximum pressure: 65 psig @ 50°C
	Maximum flow rate: 10 ft/second
Construction	Process Electrodes: Gold cathode, silver anode, silver reference (3 electrode polarographic clark cell)
	Membrane: FEP
	O-rings: Viton™
	Sensor material: PEEK™
	Weight: 0.5 lbs. (PEEK)
Approvals	Meets CE requirements for heavy industrial use

*Note: Typical at 25°C with 20 feet of cable



AquaSensors AV38 Local Digital Monitor and Controller

Connects to any AnalogPlus sensor using plug-in module. 2 line display and 7 key navigation. Data reporting with up to 2 current outputs. 2 Form C relays.

Ordering information

AquaSensors AnalogPlus Differential pH Sensor Accessories

Description	Cat. No.
DO Membrane replacements	
PEEK protected	DMR03
PEEK protected with protected mask	DMR03M
Storage cap with sponge	SBC01
DO solutions - 500 mL bottles	
Electrolyte (ppm)	RD0K1
Wash hardware	
Wash head assembly	MH1142
Mounting hardware	
1 inch tee mounting, CPVC	MH3022
1 inch tee mounting, 316 SS	MH3011
1.5 inch union mounting, CPVC	MH3042
1.5 inch union mounting, 316 SS	MH3041
1.5 inch ball valve, CPVC, low pressure	MH1112
1.5 inch ball valve, 316 SS, low pressure	MH1111
1.5 inch ball valve, CPVC, high pressure	MH1122
1.5 inch ball valve, 316 SS, high pressure	MH1121
Hand rail mounting assembly, swivel/immersion, PVC	MH1242
Hand rail mounting assembly, swivel/immersion, PVC	MH1252
1 inch immersion mounting with junction box, PVC (7 foot extension is standard)	MH3083

Consult factory for additional configurations and accessories

Ordering information

AnalogPlus DO Sensor ordering information

Description	Cat. No.
DO Sensor	SD-b-t-x-y-z-u
Body material (b)	3 = PEEK
Electrode type (t)	1 = Gold/silver
Sensor tip (x)	A = Protected
Filling solution (y)	1 = Standard
Membrane (z)	A = FEP Teflon
Cable length (u)	1 = 10 feet
	3 = 30 feet

Australia: (613) 9757-4300 **In Australia:** (1300) 735-295 **China:** (86) 21-6865-4588
Germany: (49) 6184-90-6321 **India:** (91) 22-4157-8800 **Japan:** (81) 045-453-9175
North America: 1-978-232-6000 Toll Free: 1-800-225-1480 **Singapore:** (65) 6778-6876

Find out more at thermofisher.com/water