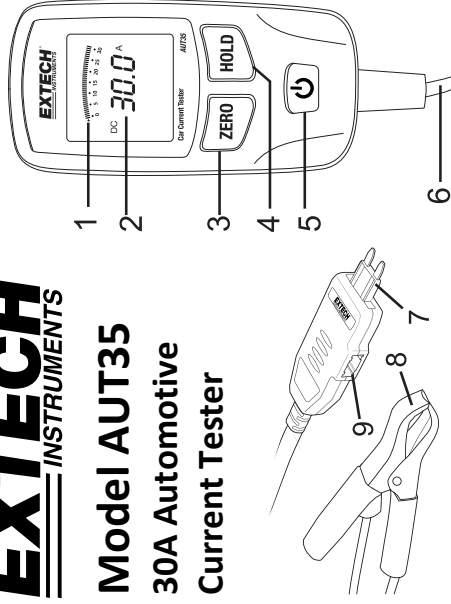


## Model AUT35 30A Automotive Current Tester



### Features

- Large digit LCD display with bar-graph indication
- For use with mini-blade and ATC blade size fuses
- Includes mini-blade, ATC blade, and 'alligator' clamp connectors with 1.3 ft. (40cm) cable
- Measuring range to 30A/48VDC (10 sec. test time max.)

### Safety

**WARNING: Risk of Electrocutation.** Keep hands and fingers on the body of the probe and away from the blade tips.


**CAUTION:** Read, understand and follow Safety Rules and Operating Instructions in this manual before using meter. Do not attempt to repair this unit. There are no user serviceable parts.


Do not expose unit to extreme temperatures/high humidity


Do not use the unit if it is wet or damaged

Do not apply more than the rated voltage between the probe tip and ground.

Do not operate with the case open

 This symbol, adjacent to another symbol or terminal, indicates the user must refer to the manual for further information.

 This symbol, adjacent to a terminal, indicates that, under normal use, hazardous voltages may be present

 Double insulation

**Copyright © 2013 FLIR Systems, Inc.**

All rights reserved including the right of reproduction in whole or in part in any form

[www.extech.com](http://www.extech.com)

### Specifications

<b>Range</b>	0 to 30ADC / 48VDC
<b>Resolution</b>	100mA
<b>Accuracy</b>	± (2% of reading + 2 digits)
<b>Detection distance</b>	<0.2"
<b>Operating Temperature</b>	0 to 50°C (32 to 122°F)
<b>Storage Temperature</b>	-20 to 60°C (-4 to 140°F)
<b>Altitude</b>	2000m (7000 ft.) maximum
<b>Relative Humidity</b>	80% to 31°C, decreasing to 50% at 50°C
<b>Battery</b>	1 x 9V battery
<b>Dimensions and Weight</b>	86 x 37 x 28mm (3.4 x 1.5 x 1.1") 68g (0.15 lbs.)

### Operating Instructions

1. Determine connection type: blades (7) or alligator clamps (8).
2. Connect the desired test cable to the meter's banana jack connector cable (6), red to red, black to black.
3. Turn the vehicle ignition **OFF**.
4. If testing through the vehicle fuse box: a. Remove the fuse for the circuit under test; b. Plug the blade (7) into the fuse box (where the fuse was removed); and c. Insert the removed fuse into the fuse jack on the measurement cable (9).
5. If using alligator clamps connect the black clamp onto a good ground and connect red clamp to the positive test point.
6. Before continuing please note that tests should be limited to a 10 second period. Longer tests could damage the meter.
7. Press the meter's Power button (5) to switch it ON.
8. Press the ZERO button (3) to zero the displayed reading.
9. Power the circuit under test **up to 10 seconds only** and read the LCD bargraph (1) and the display digits (2) for the measured DC current.
10. Use the HOLD button (4) to freeze the displayed reading.
11. When finished press Power to switch the meter OFF.
12. **WARNING!** The Fuse blades or Alligator clamp may become hot during testing. Allow to cool before removing. **Do not test** > 10 seconds.

## USER GUIDE

### Battery Installation

1. To replace the battery, remove the screw from the back of the unit and remove the cover.
2. Insert or replace the 9V battery (observe polarity).
3. Replace the battery cover.



Never dispose of used batteries or rechargeable batteries in household waste.  
As consumers, users are legally required to take used batteries to appropriate collection sites, the retail store where the batteries were purchased, or wherever batteries are sold.

**Disposal:** Do not dispose of this instrument in household waste. The user is obligated to take end-of-life devices to a designated collection point for the disposal of electrical and electronic equipment.

### Warranty

**FLIR Systems, Inc. warrants this Extech Instruments brand device to be free of defects in parts and workmanship for one year from date of shipment (a six month limited warranty applies to sensors and cables). If it should become necessary to return the instrument for service during or beyond the warranty period, contact the Customer Service Department for authorization. Visit the website [www.extech.com](http://www.extech.com) for contact information. A Return Authorization (RA) number must be issued before any product is returned. The sender is responsible for shipping charges, freight, insurance and proper packaging to prevent damage in transit. This warranty does not apply to defects resulting from action of the user such as misuse, improper wiring, operation outside of specification, improper maintenance or repair, or unauthorized modification. FLIR Systems, Inc. specifically disclaims any implied warranties or merchantability or fitness for a specific purpose and will not be liable for any direct, indirect, incidental or consequential damages. FLIR's total liability is limited to repair or replacement of the product. The warranty set forth above is inclusive and no other warranty, whether written or oral, is expressed or implied.**

### Calibration, Repair, and Customer Care

FLIR Systems, Inc. offers repair and calibration services for the Extech Instruments products we sell. NIST certification for most products is also provided. Call the Customer Service Department for information on calibration services available for this product. Annual calibrations should be performed to verify meter performance and accuracy. Technical support and general customer service is also provided, refer to the contact information provided below.

**Support Lines: U.S. (877) 439-8324**

**International: +1 (603) 324-7800**

Technical Support: Option 3; E-mail: [support@extech.com](mailto:support@extech.com)

Repair & Returns: Option 4; E-mail: [repair@extech.com](mailto:repair@extech.com)

Product specifications are subject to change without notice

**Please visit our website for the most up-to-date information**

[www.extech.com](http://www.extech.com)

FLIR Commercial Systems, Inc., 9 Townsend West, Nashua, NH 03063 USA

**ISO 9001 Certified**