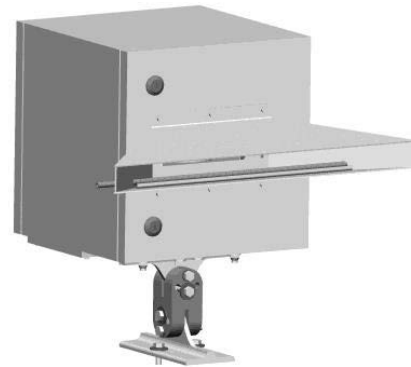


TECHNICAL DATA

MP Protective Housing

Highlights

- Stainless steel protective housing (XXXSYSPHSS)
- Quick-release rail mounted system for MP linescanner
- Air purge for protective window
- 3-dimensional adjustable mounting bracket for a precise alignment
- IP54 rating



Specifications

Ambient Temperature

Minimum	-40 °C (-40 °F) - for MP with internal heater
Maximum	45 °C (113 °F) - with MP, shadow temperature, no direct sunlight
Maximum	80 °C (176 °F) without MP
with Air-Water-Cooler	max. 130 °C (266 °F)

Environmental Rating

IP54

Material

Housing	Stainless steel 1.4301
Seal	EPDM, CR
Mounting bracket	Galvanized steel

Dimension

Housing (H x W x L)	300 x 300 x 300 mm (12 x 12 x 12 in)
with mounting bracket	H 450 mm (18 in)

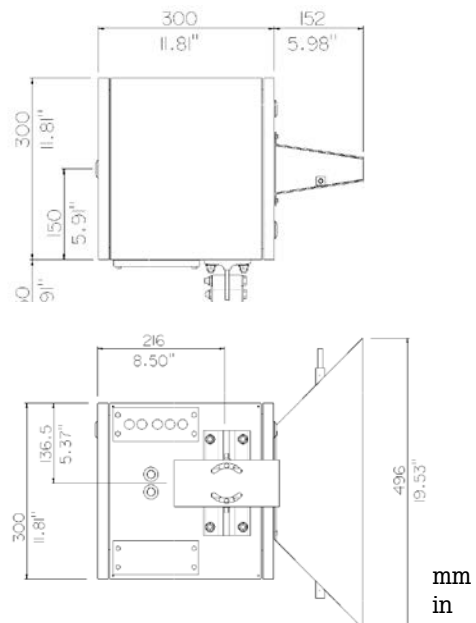
Weight (without MP)

13 kg (29 lb)

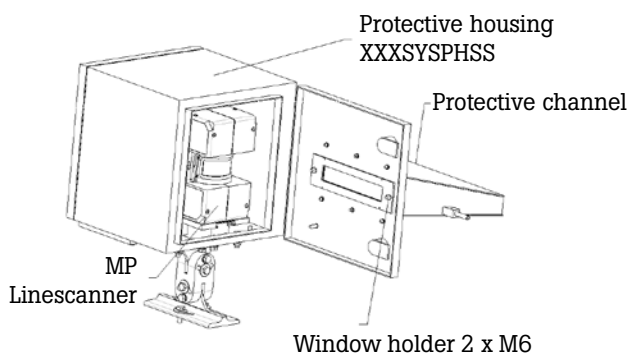
Air Purge

Connector	Outer x 8 mm (0.31 in)
Pressure	1.5 - 3 bar (22 psi) - cleaned air

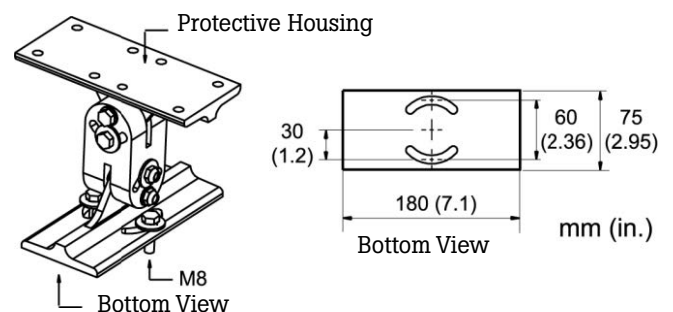
Dimensions



Protective Housing with Linescanner



Adjustable Mounting Bracket



Scope of Delivery

- Protective housing with removable window
- Quick-release rail mounted system
- Adjustable mounting bracket
- Spare removable window

Fluke Process Instruments

Americas

Everett, WA USA

Tel: +1 800 227 8074 (USA and Canada, only)
+1 425 446 6300

solutions@flukeprocessinstruments.com

EMEA

Berlin, Germany

Tel: +49 30 4 78 00 80

info@flukeprocessinstruments.de

China

Beijing, China

Tel: +8610 6438 4691

info@flukeprocessinstruments.cn

Japan

Tokyo, Japan

Tel: +81 03 6714 3114

info@flukeprocessinstruments.jp

Asia East and South

India Tel: +91 22 6249 5028

Singapore Tel: +65 6799 5578

sales.asia@flukeprocessinstruments.com

Worldwide Service

Fluke Process Instruments offers services, including repair and calibration. For more information, contact your local office.

www.flukeprocessinstruments.com

© 2021 Fluke Process Instruments
Specifications subject to change without notice.
11/2021 MP Protective Housing_Rev.E