

User Manual



HVD132

Non-Contact High AC Voltage Detector



Index	Page
1. Introduction.....	1
2. Safety precaution.....	1-2
3. Applications.....	2
4. Features & specifications.....	3
5. Instrument layout.....	4
6. Operation.....	5-8
7. Maintenance.....	9

1. Introduction

NOTE

This detector has been designed and tested according to CE Safety Requirements for Electronic Measuring Apparatus. Follow all warnings to ensure safe operation.



WARNING

**READ "SAFETY PRECAUTION" (NEXT PAGE)
BEFORE USING THE HIGH VOLTAGE DETECTOR.**

2. Safety precaution

Electricity can cause severe injuries with high voltages. Therefore it is very important to read the following info before using the Non-contact High Voltage Detector.

This must only be used and operated by a competent trained person and in strict accordance with the instructions. We will not accept liability for any damage or injury caused by misuse or non compliance with instructions and safety procedures.

Examine the Non-contact High Voltage Detector to make sure it is clean and dry. If it is not, wipe with a clean, dry, lint-free cloth.

The high voltage detector test should always be used as an indication only.

Read all safety information carefully before attempting to operate or service the High Voltage Detector.

Use the High Voltage Detector only as specified in this manual. Otherwise, the protection provided by the High Voltage Detector may be impaired.

Please keep in your mind to wear high insulated gloves when you test high voltages between 600V~1.5kV.

Please keep in your mind to wear high insulated gloves and to use the HVD132 when you test high voltages between 1.5kV~132kV.

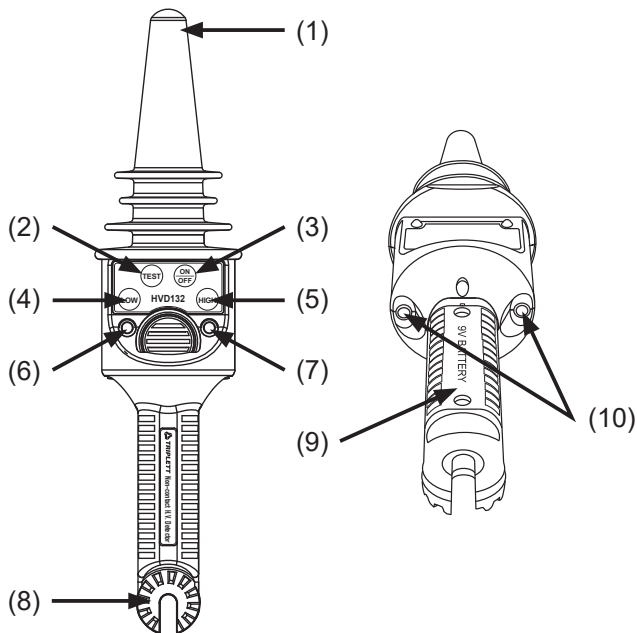
3. Applications

- Non-contact detection of live voltages
- Find faults in cables
- Check and detect live high voltage cables
- Trace live wires
- Check high frequency radiation
- Check grounding equipment
- Detect residual or induced voltages

4. Features & specifications

- Power ON/OFF function
- Circuit Test function
- Press the Test button to make sure the whole circuit is working well before testing actual high voltage circuits.
- 2 ranges for selection (2 function buttons)
Low : 50V~1.5kV
Press the LOW button, HVD132 is ready for low voltage detection.
HIGH : 1.5kV~132kV
Press the HIGH button, HVD132 is ready for high voltage detection.
- Power consumption
OFF : Less than 5 μ A
Low voltage detection mode : Less than 40mA
High voltage detection mode : Less than 40mA
- Duty cycle : Continuous
- Response Time : Instantaneous
- Operating temperature : 0~50°C
- Power source : Alkaline battery 9V x 1
- Dimensions : 318(L) x 75(W) x 71(D) mm
- Weight : Approx. 227g (Battery included)
- Accessories
Instruction manual
Carry case
Battery

5. Instrument layout



- | | |
|-----------------------|---------------------------------------|
| (1) Voltage sensor | (7) HIGH range LED |
| (2) TEST button | (8) The connection point of Hot Stick |
| (3) ON/OFF button | (9) Battery cover |
| (4) LOW range button | (10) Red LEDs for detection |
| (5) HIGH range button | |
| (6) LOW range LED | |

6. Operation

- **ON/OFF button**

When POWERED ON, the 2 red LEDs will Flash and the buzzer will generate a sound intermittently. The red LED of the HIGH range will be turned on. The original mode is the HIGH range.

- **TEST button**

Press the TEST button to do the self-test first, this is to make sure the circuits inside the HVD132 is ok. When you press the TEST button, the 2 red LEDs will glow and the buzzer will generate a sound continuously. The red LED of the HIGH range will be still on (the original mode). If the 2 red LEDs do not glow and the continuous sound doesn't be generated, please replace with a new battery.

- **LOW range button (Low voltage detection)**

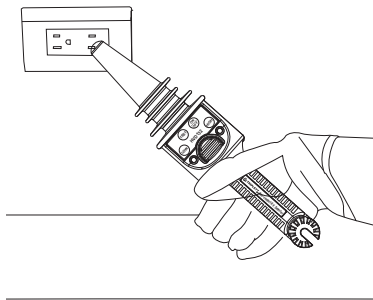
Press the ON/OFF button to turn on the high voltage detector.

Press the LOW range button, the 2 red LEDs will flash and the buzzer will generate a sound intermittently. The red LED of the LOW range will be turned on.

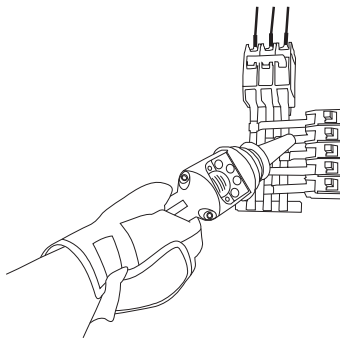
The LOW range for low voltage detection : 50V~1.5kV. Place the probe sensing tip of the high voltage detector near a low voltage line (50V~1.5kV), but not touching the line.

The red LEDs will flash very fast and the frequency of the sound will be at the same rate if a voltage is present.

When the probe sensing tip makes contact or is very close to the voltage line, the red LEDs will glow and the sound will last continuously.



Voltage detection for a wall outlet



For finding a breaker

- **HIGH range (High voltage detection)**

Press the ON/OFF button to turn on the high voltage detector.

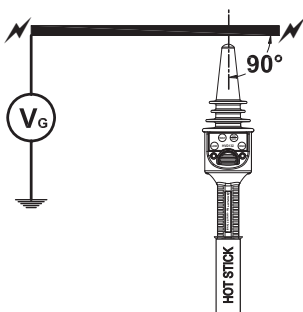
The 2 red LEDs will flash and the buzzer will generate a sound intermittently. The red LED of the HIGH range will be turned on.

The original mode is the HIGH range for high voltage detection: 1.5kV~132kV.

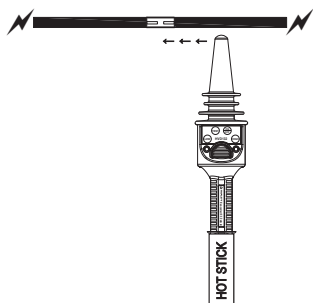
Place the probe sensing tip of the high voltage detector near a high voltage source (1.5kV~132kV), but not touching the high voltage source.

The red LEDs will flash very fast and the frequency of the sound will be at the same rate if a high voltage is present.

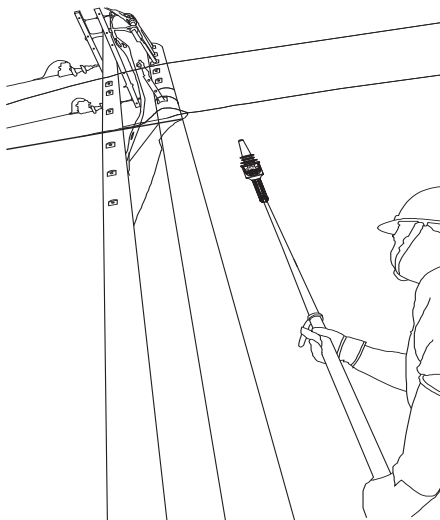
When the probe sensing tip is getting closer to the High voltage source, the red LEDs will glow and the sound will last continuously.



The ideal detection angle



For finding a break of cable

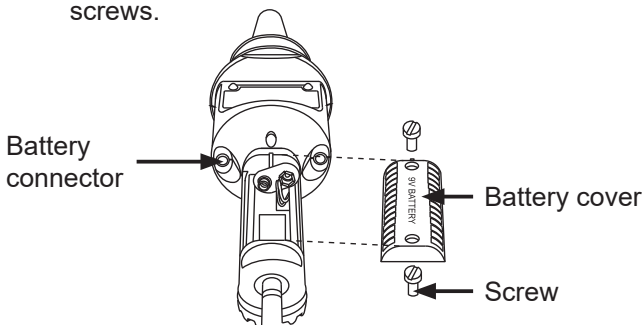


Voltage detection for a line

7. Maintenance

● Battery replacement

- (1) Unscrew the battery cover on the rear with a screwdriver, then slide the battery cover off the tester.
- (2) Take out the battery.
- (3) Replace with a new battery (9V).
- (4) Reinstall the battery cover and fasten the cover screws.



● Cleaning and storage

⚠ WARNING

To avoid electrical shock or damage to the detector, do not get water inside the case.

- (1) Periodically wipe the case with a damp cloth and detergent; do not use abrasives or solvents.
- (2) If the detector is not used for periods of longer than 60 days, remove the battery and store them separately.

Warranty

Triplett / Jewell Instruments extends the following warranty to the original purchaser of these goods for use. Triplett warrants to the original purchaser for use that the products sold by it will be free from defects in workmanship and material for a period of (2) two years from the date of purchase. This warranty does not apply to any of our products which have been repaired or altered by unauthorized persons in any way or purchased from unauthorized distributors so as, in our sole judgment, to injure their stability or reliability, or which have been subject to misuse, abuse, misapplication, negligence, accident or which have had the serial numbers altered, defaced, or removed. Accessories, including batteries are not covered by this warranty.

Copyright © 2023 Triplett
www.triplett.com