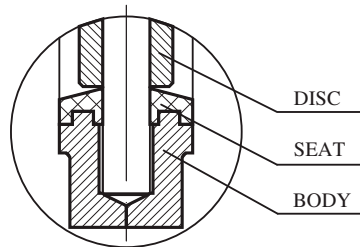
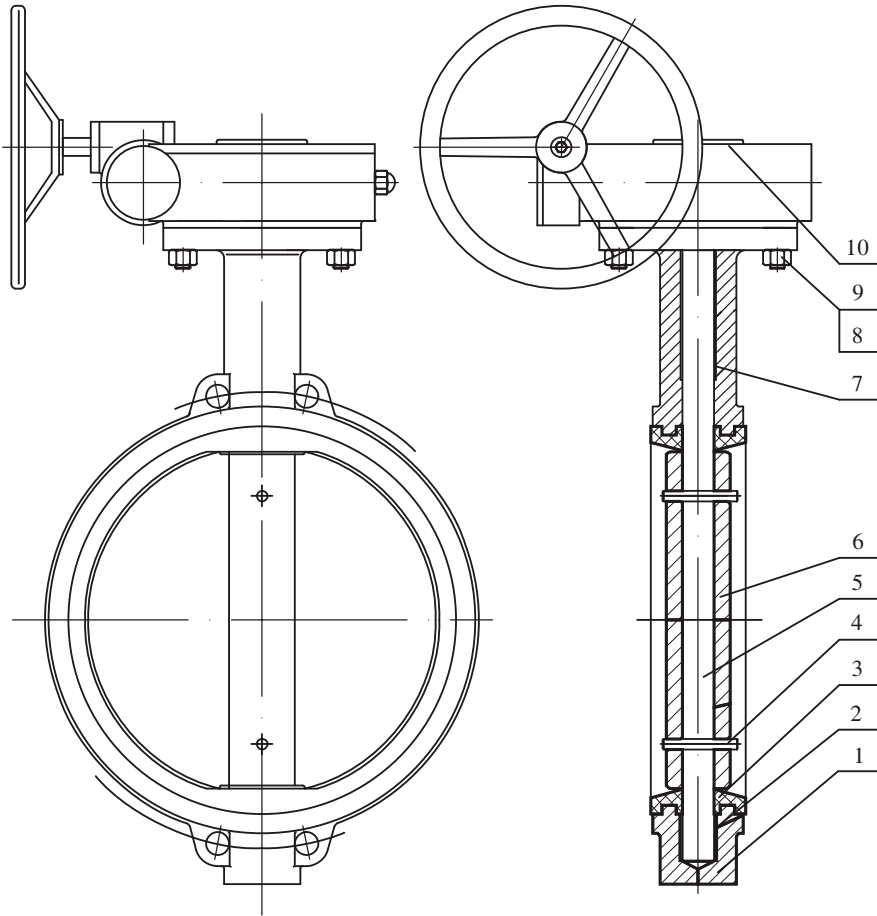




CONCENTRIC BUTTERFLY VALVE



DESIGN FEATURES:

- SIMPLE STRUCTURE AND GOOD SEALING PERFORMANCE.
- GOOD FLOW REGULATING FUNCTION AND BI-DIRECTIONAL SEALING FEATURE.
- SEALING PRINCIPLE: THE SHAFT AND DISC ARE IN THE SAME CENTERLINE. THE RUBBER SEAT IS SQUEEZED BY THE DISC'S OUTER EDGE DURING ROTATION, WHICH FURTHER PRODUCED ELASTIC FORCE, TO ENSURE THE VALVE CLOSURE WITH THE TIGHT SEALING RESULT.



CONCENTRIC BUTTERFLY VALVE

STANDARDS:

- DESIGN AND MANUFACTURE: API 609
- FACE TO FACE DIMENSIONS: API 609
- FLANGE ENDS DIMENSIONS:
NPS1/2"~24" ASME B16.5
- PRESSURE-TEMPERATURE RATINGS: ASME B16.34
- PRESSURE: CLASS 150
- SIZE: NPS 2"~36"



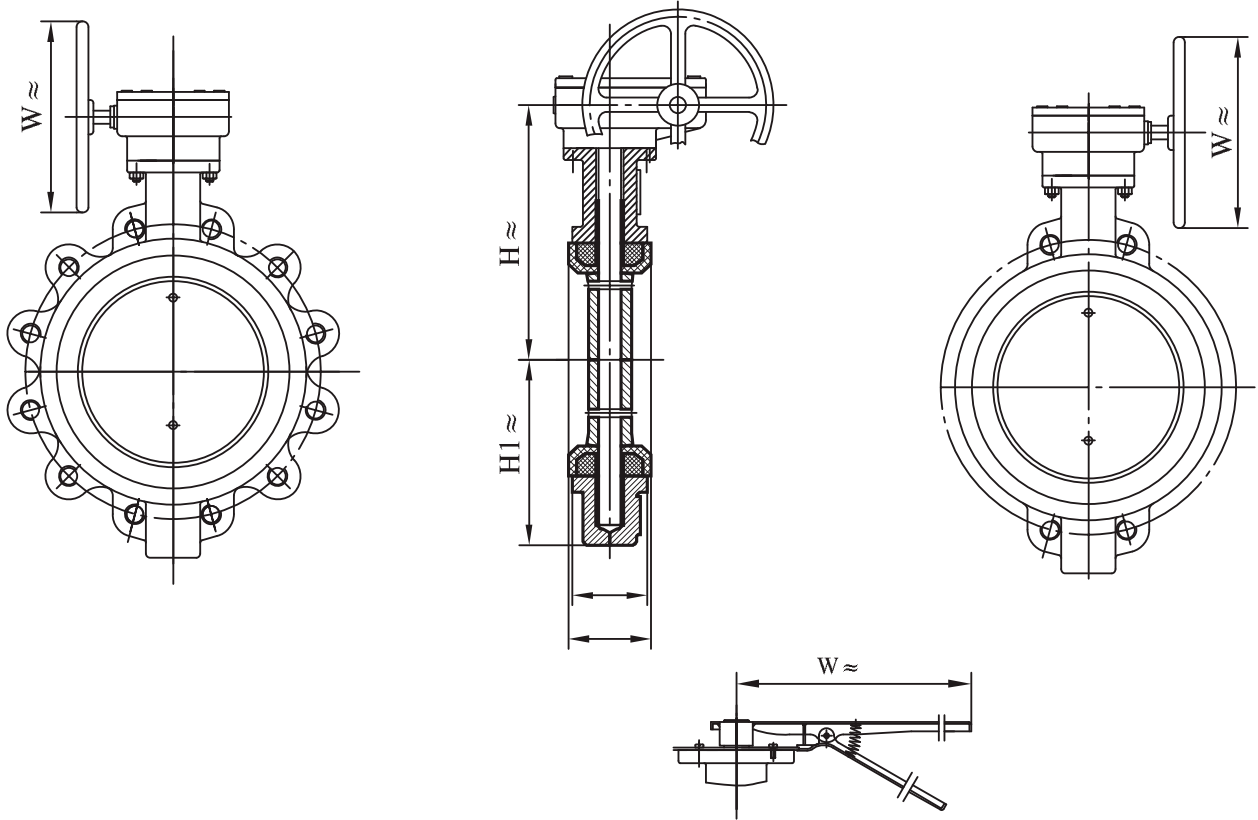
BILL OF MATERIAL(PARTIAL)

ITEM	PART NAME	STANDARD	LOW TEMPERATURE	STAINLESS STEEL	COPPER(Cu)
1	BODY	ASTM A216 WCB	ASTM A352 LCC	ASTM A351 CF8M	ASTM B148 C95800
2	BUSHING	PTFE	PTFE	PTFE	PTFE
3	SEAT	PTFE/RUBBER	PTFE/RUBBER	PTFE/RUBBER	PTFE/EPDM
4	PIN	ASTM A276 410	ASTM A276 304	ASTM A276 316	ASTM A276 316
5	STEM	ASTM A182 F6	ASTM A182 F304	ASTM A182 F316	ASTM B148 C95800
6	DISC	ASTM A216 WCB	ASTM A352 LCC	ASTM A351 CF8M	ASTM B148 C95800
7	BUSHING	PTFE	PTFE	PTFE	PTFE
8◆	GEAR OPERATOR	ASSEMBLY			

◆GEAR OPERATOR, ELECTRICAL OPERATOR, PNEUMATIC OPERATOR, HYDRAULIC OPERATOR ETC. ARE AVAILABLE
NOTE: OTHER MATERIALS ARE AVAILABLE UPON REQUEST.



CONCENTRIC BUTTERFLY VALVE - WAFER/LUG TYPE



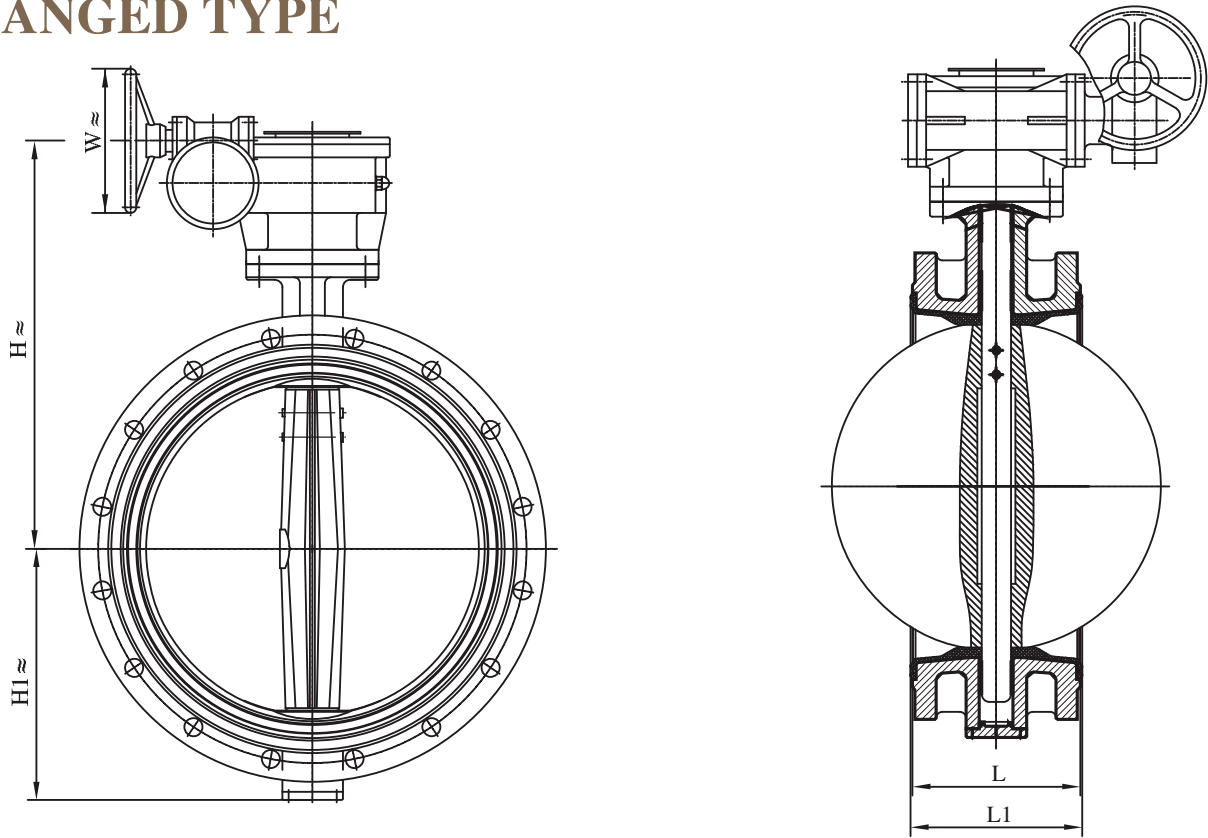
CLASS 150

NPS	in	2	2-1/2	3	4	5	6	8	10	12	14	16	18	20	24	30	36
DN	mm	50	65	80	100	125	150	200	250	300	350	400	450	500	600	750	900
L	mm	43	46	46	52	56	56	60	68	78	78	102	114	127	154	165	200
L1	mm	46	49	49	55	59	59	63	71	81	81	105	117	130	157	168	203
H	mm	143	150	165	200	215	226	274	314	378	513	550	618	676	728	-	-
H1	mm	89	99	103	114	125	139	184	215	255	270	322	365	395	434	-	-
W	mm	300	300	350	400	400	200	200	200	250	250	450	450	450	450	-	-
WT(WR)	Kg	2.9	3.9	4.8	6.4	8.8	12	14.8	19.6	32.5	44.1	53.5	75	125	200	-	-
WT(LR)	Kg	3.5	4.5	7	12.6	13.2	15.2	22.5	33	48	71	90	105	180	278	-	-

GEAR OPERATOR FOR NPS ≥ 6"



CONCENTRIC BUTTERFLY VALVE- DOUBLE FLANGED TYPE



CLASS 150

NPS	in	2	3	4	6	8	10	12	14	16	18	20	24	30	36
DN	mm	50	80	100	150	200	250	300	350	400	450	500	600	750	900
L	mm	108	114	127	140	152	165	178	190	216	222	229	267	318	330
L1	mm	111	117	130	143	155	168	182	194	221	227	234	272	326	338
H	mm	143	165	200	226	274	314	378	513	550	618	676	728	-	-
H1	mm	89	103	114	139	175	200	225	280	300	365	380	434	-	-
W	mm	300	350	400	200	200	200	250	250	450	450	450	450	-	-
WT	Kg	8	11	14	22	32	45	58	82	108	150	230	340	-	-

GEAR OPERATOR FOR NPS ≥ 6"