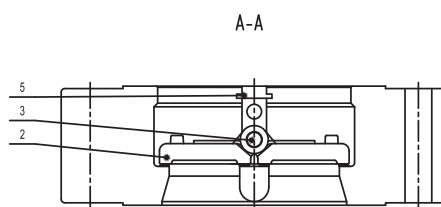
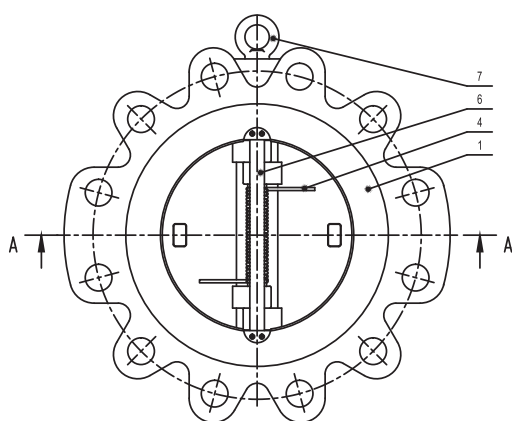


DUAL PLATE CHECK VALVE



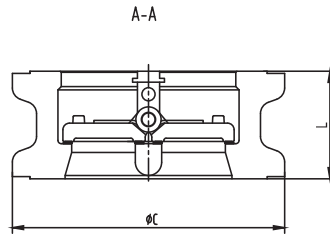
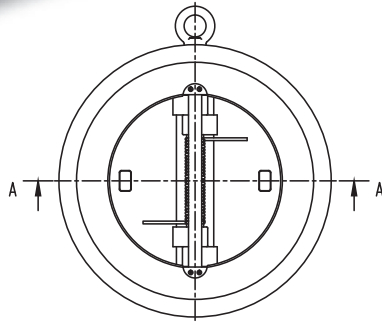
- Light-weight & compact design.
- Variety of body designs available-wafer, lug and double flange.
- Dual plate, flat seat design.Retainerless body design.
- Metal to metal seating standard, resilient seat material available upon request.
- Independent spring action.
- Shock bumpersVertical hinged design.
- Horizontal or vertical service.



STANDARD MATERIALS OF CAST STEEL DUAL-PLATE CHECK VALVE

No.	Parts Name	Carbon Steel	Carbon Steel (Low Temp.)	Alloy Steel	Stainless Steel
1	Body	A216 Gr.WCB + STL Overlay	A352 Gr.LCB + STL Overlay	A217 Gr.WC6 + STL Overlay	A351 Gr.CF8M
2	Disc	A216 Gr.WCB + 13Cr Overlay	A352 Gr.LCB + 13Cr Overlay	A217 Gr.WC6 + STL Overlay	A351 Gr.CF8M
3	Hinge Pin	A276 T410	A276 T410	A276 T410	A276 T316
4	Spring		Inconel		
5	Holder	A105	A350 Gr.LF2	A182 Gr.F11	A182 Gr.F316
6	Stop Pin	A276 T410	A276 T410	A276 T410	A276 T316
7	Eye Bolt		Carbon Steel		

DUAL PLATE CHECK VALVE WAFER TYPE



Design and Manufacture: API 594

Face to Face dimensions: API 594

Flange Ends: ASME B16.5, ASME B16.47

Pressure-Temperature Ratings: ASME B16.34

Pressure Testing: API 598

CLASS 150

NPS	in	2"	2-1/2"	3"	4"	6"	8"	10"	12"	14"	16"	18"	20"	24"	26"	28"	30"	32"	36"	40"	42"	48"
DN	mm	50	65	80	100	150	200	250	300	350	400	450	500	600	650	700	750	800	900	1000	1050	1200
L	in	2.38	2.63	2.88	2.88	3.88	5.00	5.75	7.13	7.25	7.50	8.00	8.63	8.75	14.00	15.00	12.00	14.00	14.50	17.00	17.00	20.63
	mm	60	67	73	73	98	127	146	181	184	191	203	219	222	356	381	305	356	368	432	432	524
C	in	4.09	4.84	5.35	6.85	8.70	10.94	13.35	16.00	17.68	20.12	21.62	23.88	28.25	30.50	32.75	34.75	37.00	41.25	45.75	48.00	54.50
	mm	104	123	136	174	221	278	339	408	449	511	549	606	718	775	832	883	940	1048	1162	1219	1384
WT	kg	3	5	5	8	14	25	44	62	75	102	120	160	213	144	533	444	622	778	1155	1267	1956

CLASS 300

NPS	in	2"	2-1/2"	3"	4"	6"	8"	10"	12"	14"	16"	18"	20"	24"	26"	28"	30"	32"	36"	40"	42"	48"
DN	mm	50	65	80	100	150	200	250	300	350	400	450	500	600	650	700	750	800	900	1000	1050	1200
L	in	2.38	2.63	2.88	2.88	3.88	5.00	5.75	7.13	8.75	9.13	10.38	11.50	12.50	14.00	15.00	14.50	16.00	19.00	21.50	22.38	24.75
	mm	60	67	73	73	98	127	146	181	222	232	264	292	318	356	381	368	406	483	546	568	629
C	in	4.37	5.08	5.87	7.09	9.84	12.13	14.17	16.57	19.06	21.18	23.5	25.75	30.5	32.88	35.38	37.5	39.63	44	43.88	45.88	52.13
	mm	111	129	149	180	250	308	360	421	484	538	597	654	775	835	899	953	1006	1118	1114	1165	1324
WT	kg	3	6	6	8	18	30	50	75	130	177	232	312	465	555	666	733	888	1200	1500	1860	3267

CLASS 600

NPS	in	2"	3"	4"	6"	8"	10"	12"	14"	16"	18"	20"	24"	26"	28"	30"	32"	36"	40"	42"
DN	mm	50	80	100	150	200	250	300	350	400	450	500	600	650	700	750	800	900	1000	1050
L	in	2.38	2.88	3.13	5.38	6.50	8.38	9.00	10.75	12.00	14.25	14.50	17.25	18.00	19.00	19.88	21.00	25.00	26.00	27.60
	mm	60	73	79	137	165	213	229	273	305	362	368	438	457	483	505	533	635	660	701
C	in	4.38	5.83	7.63	10.50	12.63	15.75	18.00	19.38	22.25	24.13	26.88	31.13	34.13	36.00	38.25	40.25	44.50	45.50	48.00
	mm	111	148	194	267	321	400	457	492	565	613	683	791	867	914	972	1022	1130	1156	1219
WT	kg	3	6	11	30	52	93	133	191	290	380	500	778	867	1022	1267	1422	2089	2311	2667

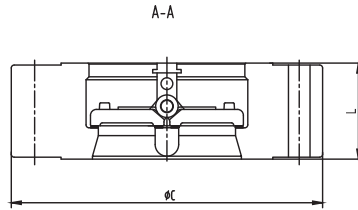
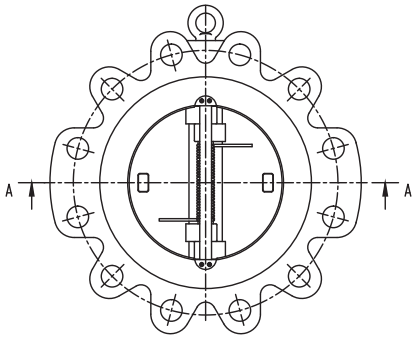
CLASS 900

NPS	in	2"	3"	4"	6"	8"	10"	12"	14"	16"	18"	20"	24"
DN	mm	50	80	100	150	200	250	300	350	400	450	500	600
L	in	2.38	2.88	3.13	5.38	6.50	8.38	9.00	10.75	12.00	14.25	14.50	17.25
	mm	60	73	79	137	165	213	229	273	305	362	368	438
C	in	4.38	5.83	7.63	10.50	12.63	15.75	18.00	19.38	22.25	24.13	26.88	31.13
	mm	111	148	194	267	321	400	457	492	565	613	683	791
WT	kg	3	6	11	30	52	93	133	191	290	380	500	778

CLASS 1500

NPS	in	2"	3"	4"	6"	8"	10"	12"	14"	16"	18"	20"	24"
DN	mm	50	80	100	150	200	250	300	350	400	450	500	600
L	in	2.38	2.88	3.13	5.38	6.50	8.38	9.00	10.75	12.00	14.25	14.50	17.25
	mm	60	73	79	137	165	213	229	273	305	362	368	438
C	in	4.38	5.83	7.63	10.50	12.63	15.75	18.00	19.38	22.25	24.13	26.88	31.13
	mm	111	148	194	267	321	400	457	492	565	613	683	791
WT	kg	3	6	11	30	52	93	133	191	290	380	500	778

DUAL PLATE CHECK VALVE LUG TYPE



Design and Manufacture: API 594
 Face to Face dimensions: API 594
 Flange Ends: ASME B16.5, ASME B16.47
 Pressure-Temperature Ratings: ASME B16.34
 Pressure Testing: API 598

CLASS 150

NPS	in	2"	2-1/2"	3"	4"	6"	8"	10"	12"	14"	16"	18"	20"	24"	26"	28"	30"	32"	36"	40"	42"	48"
DN	mm	50	65	80	100	150	200	250	300	350	400	450	500	600	650	700	750	800	900	1000	1050	1200
L	in	2.38	2.63	2.88	2.88	3.88	5.00	5.75	7.13	7.25	7.50	8.00	8.63	8.75	14.00	15.00	12.00	14.00	14.50	17.00	17.00	20.63
	mm	60	67	73	73	98	127	146	181	184	191	203	219	222	356	381	305	356	368	432	432	524
C	in	6.00	7.00	7.50	9.00	11.00	13.50	16.00	19.00	21.00	23.50	25.00	27.50	32.00	34.25	36.50	38.75	41.75	46.00	50.75	53.00	59.50
	mm	152	178	191	229	279	343	406	483	533	597	635	699	813	870	927	984	1060	1168	1289	1340	1500
WT	kg	4	11	8	15	24	58	96	120	147	187	222	290	378	711	844	756	1067	1244	1822	1956	2934

CLASS 300

NPS	in	2"	2-1/2"	3"	4"	6"	8"	10"	12"	14"	16"	18"	20"	24"	26"	28"	30"	32"	36"	40"	42"	48"
DN	mm	50	65	80	100	150	200	250	300	350	400	450	500	600	650	700	750	800	900	1000	1050	1200
L	in	2.38	2.63	2.88	2.88	3.88	5.00	5.75	7.13	8.75	9.13	10.38	11.50	12.50	14.00	15.00	14.50	16.00	19.00	21.50	22.38	24.75
	mm	60	67	73	73	98	127	146	181	222	232	264	292	318	356	381	368	406	483	546	568	629
C	in	6.50	7.50	8.25	10.00	12.50	15.00	17.50	20.50	23.00	25.50	28.00	30.50	36.00	38.25	40.75	43.00	45.25	50.00	48.75	50.75	57.75
	mm	165	191	210	254	318	381	445	521	584	648	711	775	914	972	1035	1092	1149	1270	1238	1289	1467
WT	kg	8	12	15	25	44	64	104	156	245	333	422	556	822	978	1200	1245	1511	2045	2266	2711	4445

CLASS 600

NPS	in	2"	3"	4"	6"	8"	10"	12"	14"	16"	18"	20"	24"	26"	28"	30"	32"	36"	40"	42"
DN	mm	50	80	100	150	200	250	300	350	400	450	500	600	650	700	750	800	900	1000	1050
L	in	2.38	2.88	3.13	5.38	6.50	8.38	9.00	10.75	12.00	14.25	14.50	17.25	18.00	19.00	19.88	21.00	25.00	26.00	27.60
	mm	60	73	79	137	165	213	229	273	305	362	368	438	457	483	505	533	635	660	701
C	in	6.50	8.25	10.75	14.00	16.50	20.00	22.00	23.75	27.00	29.25	32.00	37.00	40.00	42.25	44.50	47.00	51.75	52.00	55.25
	mm	165	210	273	356	419	508	559	603	686	743	813	940	1016	1073	1130	1194	1314	1321	1403
WT	kg	8	15	39	77	140	230	245	356	312	689	845	1275	1512	1777	2090	2400	3467	3600	4268

CLASS 900

NPS	in	2"	3"	4"	6"	8"	10"	12"	14"	16"	18"	20"	24"
DN	mm	50	80	100	150	200	250	300	350	400	450	500	600
L	in	2.75	3.25	4.00	6.25	8.13	9.50	11.50	14.00	15.13	17.75	17.75	19.50
	mm	70	83	102	159	206	241	292	356	384	451	451	495
C	in	8.50	9.50	11.50	15.00	18.50	21.50	24.00	25.25	27.75	31.00	33.75	41.00
	mm	216	241	292	381	470	546	610	641	705	787	857	1041
WT	kg	17	26	43	115	214	325	379	556	733	1111	1289	1960

CLASS 1500

NPS	in	2"	3"	4"	6"	8"	10"	12"	14"	16"	18"	20"	24"
DN	mm	50	80	100	150	200	250	300	350	400	450	500	600
L	in	2.75	3.25	4.00	6.25	8.13	9.75	12.00	14.00	15.13	18.44	21.00	22.00
	mm	70	83	102	159	206	248	305	356	384	468	533	559
C	in	8.50	10.50	12.25	15.50	19.00	23.00	26.50	29.50	32.50	36.00	38.75	40.00
	mm	216	267	311	394	483	584	673	749	826	914	984	1168
WT	kg	16	32	67	118	279	355	622	1067	1111	1734	2578	3200