

Dial Gage Stands

SERIES 7

Dial Gage Stands are designed for comparison measurements of size using a dial indicator or Digimatic Indicator.

FEATURES

- Vertical travel of the gage holder — Dial Gage Stand: 95mm (7007-10: 90mm), Transfer Stand: 320mm
- Fine-adjustment of 1mm is provided for zero-setting the indicator.
- With interchangeable anvil. Domed anvil (**101463**) is optional.



7001-10
with ø58mm serrated anvil



7002-10
with ø58mm flat anvil



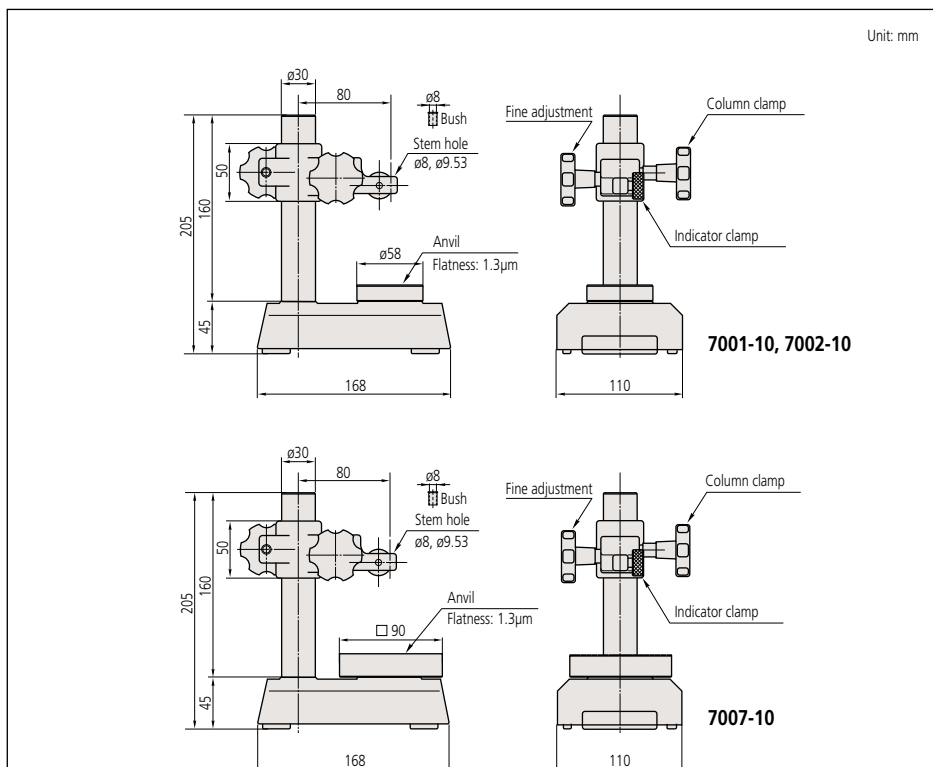
7007-10
90mm square anvil

SPECIFICATIONS

Metric

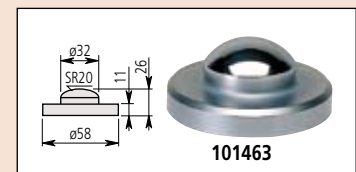
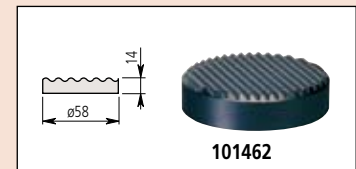
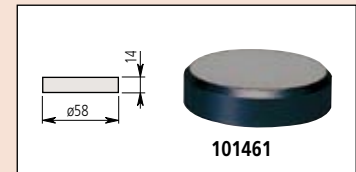
Order No.	Stem hole	Remarks
7001-10	ø8mm, ø9.53mm	With serrated anvil
7002-10	ø8mm, ø9.53mm	With flat anvil
7007-10	ø8mm, ø9.53mm	With square anvil

DIMENSIONS



Optional Accessories

- 101461:** Hardened steel flat anvil
 - 101462:** Hardened steel serrated anvil
 - 101463:** Hardened steel domed anvil*
- *Not available for 7007-10



Transfer Stand

SERIES 519

Transfer Stands are designed for comparison measurements of size using a dial indicator or Digimatic Indicator.

FEATURES

- Vertical travel of the gage holder — Dial Gage Stand: 95mm (7007-10: 90mm), Transfer Stand: 320mm
- Fine-adjustment of 1mm is provided for zero-setting of the indicator.
- With interchangeable anvil. Domed anvil (**101463**) is optional.

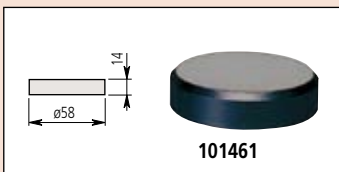


519-109-10
with $\varnothing 58$ mm serrated anvil

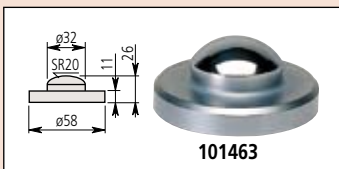
Optional Accessories

101461: Hardened steel flat anvil

101463: Hardened steel domed anvil



101461



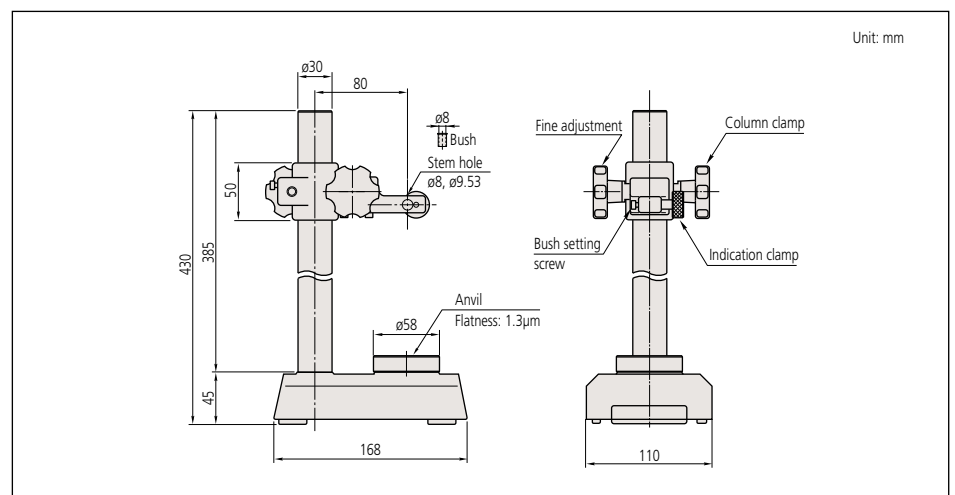
101463

SPECIFICATIONS

Metric

Order No.	Stem hole	Remarks
519-109-10	$\varnothing 8$ mm, $\varnothing 9.53$ mm	With serrated anvil

DIMENSIONS



Unit: mm