

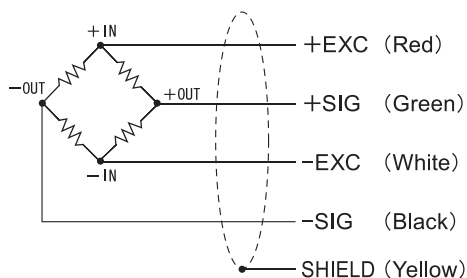


REAL SIZE

Specifications

Model	UNCSR-5N, UNCSR-5N-FG UNCSR-10N, UNCSR-10N-FG	UNCSR-20N, UNCSR-20N-FG UNCSR-50N, UNCSR-50N-FG	
Rated capacity	5, 10	20, 50	N
Rated output	1±30%		mV/V
Safe overload	150		%R.C.
Maximum safe overload	200		%R.C.
Zero balance	±10		%R.O.
Non-linearity	1		%R.O.
Hysteresis	1		%R.O.
Repeatability	1		%R.O.
Compensated temperature range	0 to +50		°C
Safe temperature range	-10 to +60		°C
Temperature effect on zero	2		%R.O./10°C
Temperature effect on span	1		%R.O./10°C
Input resistance	Approx. 350		Ω
Output resistance	Approx. 350		Ω
Recommended excitation voltage	2.5		V
Maximum excitation voltage	5		V
Insulation resistance (DC50V)	1000 or more		MΩ
Cable	φ3 4 conductor shield cable 3m End treatment 5 leads.*		
Load cell material	Aluminum	Stainless steel	

Wiring Diagram



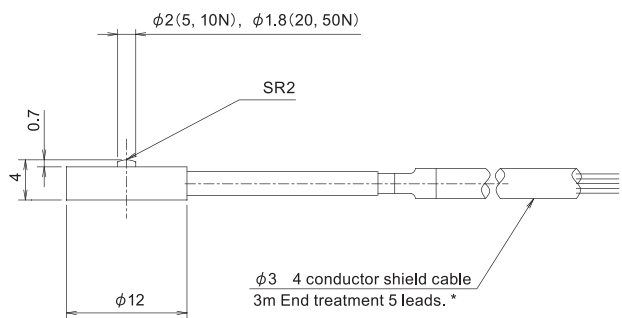
UNCSR-FG

With fastening plate

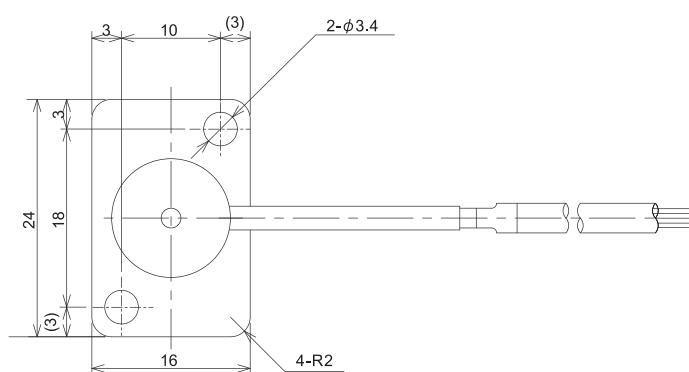


External dimension

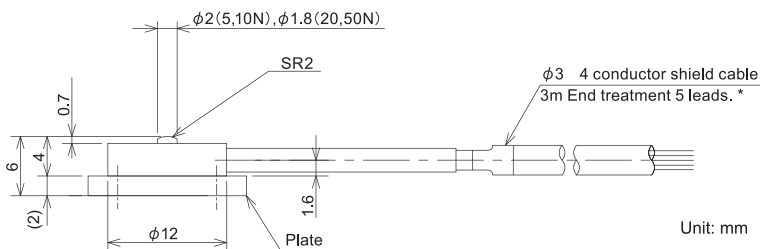
UNCSR



UNCSR-FG



Model	Deflection at rated	Natural frequency	Weight
UNCSR-5N	0.02mm	Approx. 2.3kHz	3g
UNCSR-5N-FG	0.02mm	Approx. 2.3kHz	5g
UNCSR-10N	0.02mm	Approx. 2.3kHz	3g
UNCSR-10N-FG	0.02mm	Approx. 2.3kHz	5g
UNCSR-20N	0.01mm	27kHz	3g
UNCSR-20N-FG	0.01mm	27kHz	9g
UNCSR-50N	0.01mm	42kHz	3g
UNCSR-50N-FG	0.01mm	42kHz	9g



Unit: mm

* Connector can be attached to the cable according to your requests. Refer to 48 pages for details.