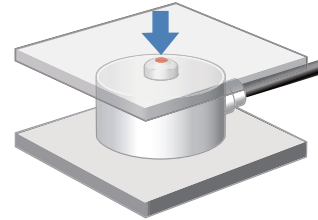


# UNBF COMPRESSION TYPE LOAD CELL



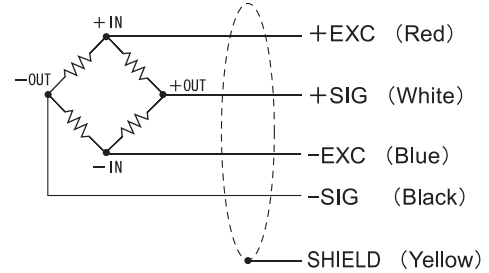
## Application Example



## Specifications

Model	Please refer to the Model list		
Rated capacity	300, 500, 1k, 2k, 3k, 5k, 10k, 20k	30k, 50k, 100k, 200k, 300k, 500k	N
Rated output	2±0.5%		mV/V
Safe overload	150		%R.C.
Maximum safe overload	200		%R.C.
Zero balance	±10		%R.O.
Non-linearity	0.2	0.35	%R.O.
Hysteresis	0.2	0.35	%R.O.
Repeatability	0.1	0.20	%R.O.
Compensated temperature range	-10 to +60		°C
Safe temperature range	-20 to +70		°C
Temperature effect on zero	0.1		%R.O./10°C
Temperature effect on span	0.1		%R.O./10°C
Input resistance	Approx. 400		Ω
Output resistance	Approx. 350		Ω
Recommended excitation voltage	10		V
Maximum excitation voltage	20		V
Insulation resistance (DC50V)	1000 or more		MΩ
Cable	φ 6 4-conductor color shield cable. Length 3m.	φ 8 4-conductor color shield cable. Length 3m.	
Load cell material	Stainless steel		

## Wiring Diagram

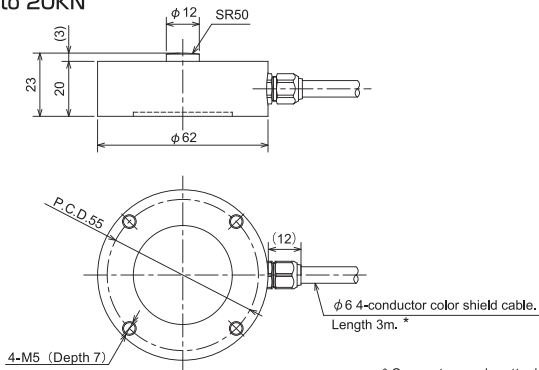


## Model list

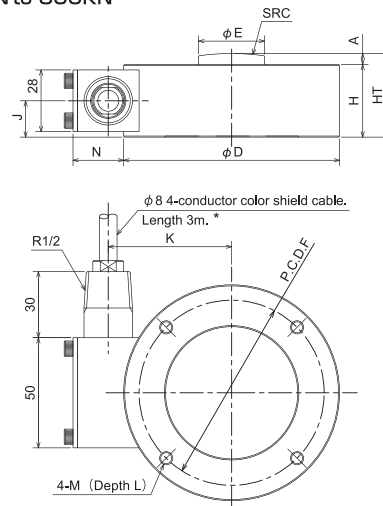
UNBF-300N	UNBF-20KN
UNBF-500N	UNBF-30KN
UNBF-1KN	UNBF-50KN
UNBF-2KN	UNBF-100KN
UNBF-3KN	UNBF-200KN
UNBF-5KN	UNBF-300KN
UNBF-10KN	UNBF-500KN

## External dimension

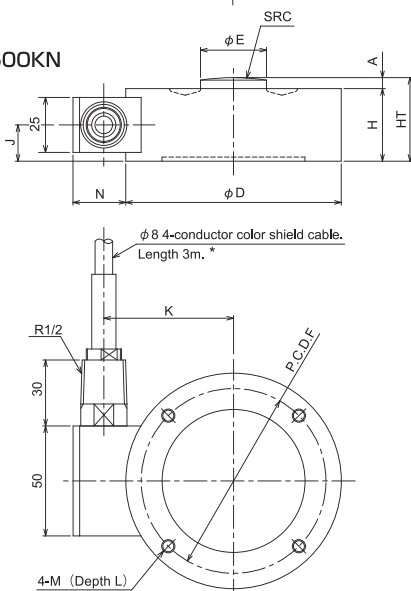
### UNBF-300N to 20KN



### UNBF-30KN to 300KN



### UNBF-500KN



\* Connector can be attached to the cable according to your requests. Refer to 48 pages for details.

Unit mm

Model	Deflection at rated	Natural frequency	Weight												
Stainless steel															
UNBF-300N	0.060mm	2.8kHz	0.4kg												
UNBF-500N	0.040mm	3.6kHz	0.4kg												
UNBF-1KN	0.040mm	5.4kHz	0.4kg												
UNBF-2KN	0.035mm	7.8kHz	0.4kg												
UNBF-3KN	0.035mm	9.3kHz	0.4kg												
UNBF-5KN	0.035mm	13kHz	0.4kg												
UNBF-10KN	0.055mm	16kHz	0.4kg												
UNBF-20KN	0.050mm	23kHz	0.4kg	A	φD	φE	H	HT	P.C.D.F	M	L	SR	J	K	N
UNBF-30KN	0.130mm	9kHz	1.8kg	5	98	30	33	38	84	M6	7	100	16.5	56	23
UNBF-50KN	0.140mm	12kHz	1.8kg	5	98	30	33	38	84	M6	7	100	16.5	56	23
UNBF-100KN	0.160mm	17kHz	1.8kg	8	98	30	35	43	84	M6	7	150	17.5	56	23
UNBF-200KN	0.200mm	9.4kHz	4.4kg	10	138	50	43	53	110	M8	8	200	21	78	25
UNBF-300KN	0.250mm	8.9kHz	8.5kg	12	160	60	53	65	130	M10	10	250	30	90	26
UNBF-500KN	0.350mm	6.2kHz	13kg	15	200	80	60	75	160	M12	12	250	30	113	27