


[Home](#)
[Company Profile](#)
[Products](#)
[Wholesalers](#)
[Home](#) > [Products](#) > Level

## Level

### ● Magnet Type Precision Square Level



- A powerful magnet is included in the perpendicular plane of the main body. And it is easy to measure of the vertical direction.

Item Code	Size	Sensitivity (mm/1m)	Net Weight (kg)
R-MSL1502	150	0.02	3
R-MSL1505		0.05	
R-MSL1510		0.1	
R-MSL2002	200	0.02	4.5
R-MSL2005		0.05	
R-MSL2010		0.1	
R-MSL2502	250	0.02	5.5
R-MSL2505		0.05	
R-MSL2510		0.1	

### ● Precision Portable Flat Level A Class



- This precision level is manufactured according to JIS B 7510 A class. (There are bubble room in bubble pipe)
- It is very convenient for carrying and carrying around.

Item Code	Material	Sensitivity (mm/1m)	Net Weight (kg)
RKF-A1002	Hard Steel Base	0.02	0.8
RKF-A1005		0.05	

## Precision Square Level A Class AA



- The accuracy of AA class is more than JIS B 7510 A-class. (There are bubble room in bubble pipe)
- Please use this precision level for the measurement of squareness, flatness, inspection and assembly in high precision.

Item Code	Size	Sensitivity (mm/1m)	Net Weight (kg)
RSL-AA1502	150	0.02	3
RSL-AA1505		0.05	
RSL-AA2002	200	0.02	4.5
RSL-AA2005		0.05	
RSL-AA2010		0.1	
RSL-AA2502	250	0.02	7.5
RSL-AA2505		0.05	
RSL-AA2510		0.1	
RSL-AA3002	300	0.02	10.5
RSL-AA3005		0.05	
RSL-AA3010		0.1	

## Precision Square Level A Class



- This precision level is manufactured according to JIS B 7510 A class. (There are bubble room in bubble pipe)

Item Code	Size	Sensitivity (mm/1m)	Net Weight (kg)
RSL-A1502	150	0.02	3
RSL-A1505		0.05	
RSL-A1510		0.1	
RSL-A2002	200	0.02	4.5
RSL-A2005		0.05	
RSL-A2010		0.1	
RSL-A2502	250	0.02	7.5
RSL-A2505		0.05	
RSL-A2510		0.1	
RSL-A3002	300	0.02	10.5
RSL-A3005		0.05	
RSL-A3010		0.1	

## Precision Flat Level A Class AA



- The accuracy of this AA class is more than JIS B 7510 A-class. (There are bubble room in bubble pipe)
- Please use this precision level for the measurement of squareness, flatness, inspection and assembly in high precision.

Item Code	Size	Sensitivity (mm/1m)	Net Weight (kg)
RFL-AA1502	150	0.02	1.6
RFL-AA1505		0.05	
RFL-AA2002	200	0.02	2.3
RFL-AA2005		0.05	
RFL-AA2010		0.1	
RFL-AA2502	250	0.02	3
RFL-AA2505		0.05	
RFL-AA2510		0.1	
RFL-AA3002	300	0.02	3.7
RFL-AA3005		0.05	
RFL-AA3010		0.1	

#### ● Precision Flat Level A Class



- This precision level is manufactured according to JIS B 7510 A class. (There are bubble room in bubble pipe)

Item Code	Size	Sensitivity (mm/1m)	Net Weight (kg)
RFL-A1502	150	0.02	1.6
RFL-A1505		0.05	
RFL-A1510		0.1	
RFL-A2002	200	0.02	2.3
RFL-A2005		0.05	
RFL-A2010		0.1	
RFL-A2502	250	0.02	3
RFL-A2505		0.05	
RFL-A2510		0.1	
RFL-A3002	300	0.02	3.7
RFL-A3005		0.05	
RFL-A3010		0.1	

#### ● Precision Square Level



- This precision level is manufactured according to our RIKEN's standard. (There are no bubble room)
- Please use this precision level for machine assembly, machine installation and centering.

Item Code	Size	Sensitivity (mm/1m)	Net Weight (kg)
RSL-1002	100	0.02	2
RSL-1005		0.05	
RSL-1010		0.1	
RSL-1502	150	0.02	2.6
RSL-1505		0.05	
RSL-1510		0.1	
RSL-2002	200	0.02	4
RSL-2005		0.05	
RSL-2010		0.1	
RSL-2502	250	0.02	7
RSL-2505		0.05	
RSL-2510		0.1	
RSL-3002	300	0.02	9.3
RSL-3005		0.05	
RSL-3010		0.1	

● Precision Flat Level



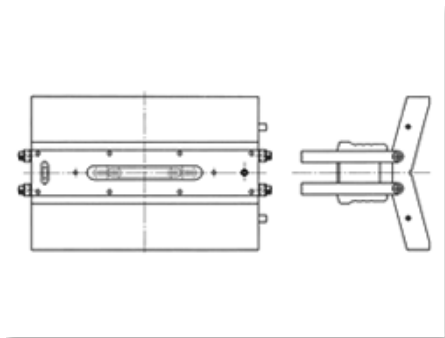
- This precision level is manufactured according to our RIKEN's standard. (There are no bubble room)
- Please use this precision level for machine assembly, machine installation and centering.



Item Code	Size	Sensitivity (mm/1m)	Net Weight (kg)
RFL-1002	100	0.02	0.8
RFL-1005		0.05	
RFL-1010		0.1	

RFL-1502	150	0.02	1.8
RFL-1505		0.05	
RFL-1510		0.1	
RFL-2002		0.02	
RFL-2005	200	0.05	2.3
RFL-2010		0.1	
RFL-2502		0.02	
RFL-2505	250	0.05	2.9
RFL-2510		0.1	
RFL-3002	300	0.02	3.5
RFL-3005		0.05	
RFL-3010		0.1	

### ● Saddle Type Precision Level



● This level can be measured the straightness of big diameter's workpiece such a roll and pipe.

### ● Round Level



● Measurement of the flatness of all directions can be performed easily.

Item Code	Type	Outside Dia x Brim Dia x Height (mm)	Net Weight (g)
RRL1828	with brim	ø18xø28x14	28
RRL2030		ø20xø30x15	37
RRL2435		ø24xø35x18	60
RRL2538		ø25xø38x18	72
RRL2020	without brim	ø20x20	30
RRL2420		ø24x20	39