

holding system



MG10503

DG10503

NF10403

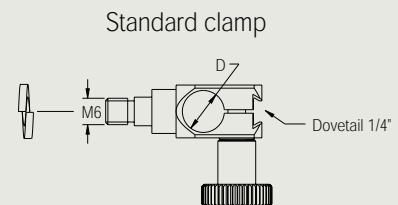
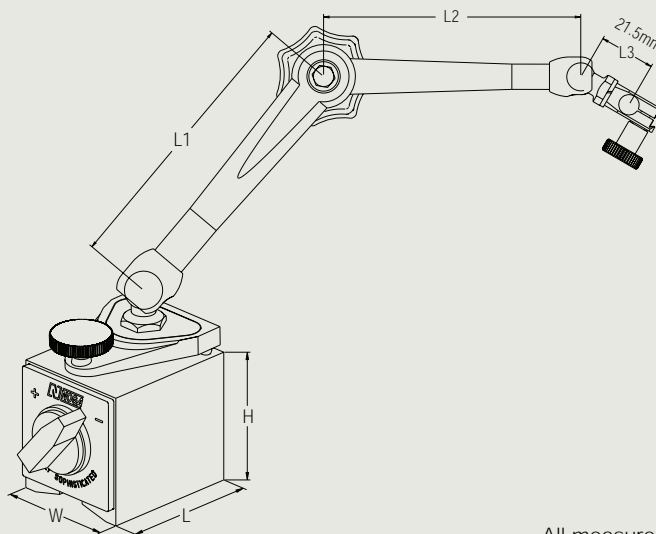


ARTICULATED HOLDERS FAB

NOGA articulated holders with fine adjustment at base

NOGA has developed a unique fine adjustment mechanism which is placed on the magnetic base. This mechanism allows the hand to rest on the base rather than on the clamp of the indicator. Zero-setting becomes faster than with any other mechanism.

- Unique single direction fine adjustment at base.
- Powerful on/off magnetic base.
- Holds 8mm or 3/8" and dovetail.
- Central locking mechanism with NOGA designed spring loaded bearing.
- Five axis holder.
- Instant fixation in any position.
- Easy to set up gauges into required position.
- Black finished arms.



Cat. no. FA1100 Dia 8mm and Cat. no. FA1120 Dia 3/8"

All measurements are in mm unless otherwise mentioned.

| Holder | | Standard clamp | | Arm length | | | Magnet | | | |
|-----------|-------------|------------------|-----------|---------------|------------|--------------------|-----------|-----------|----|----|
| Order no. | Weight [Kg] | Standard clamp D | Order no. | Bottom arm L1 | Top arm L2 | Total L1 + L2 + L3 | Force [N] | Dimension | | |
| | | | | | | | | W | L | H |
| NF10403 | 0.520 | 8 | FA1100 | 56 | 51 | 128.5 | 320 | 30 | 40 | 35 |
| NF10433 | 0.520 | 3/8" | FA1120 | 56 | 51 | 128.5 | 320 | 30 | 40 | 35 |
| DG10503 | 1.400 | 8 | FA1100 | 110 | 101 | 232.5 | 800 | 50 | 60 | 55 |
| DG10533 | 1.400 | 3/8" | FA1120 | 110 | 101 | 232.5 | 800 | 50 | 60 | 55 |
| MG10503 | 1.900 | 8 | FA1100 | 133 | 113 | 267.5 | 800 | 50 | 60 | 55 |
| MG10533 | 1.900 | 3/8" | FA1120 | 133 | 113 | 267.5 | 800 | 50 | 60 | 55 |