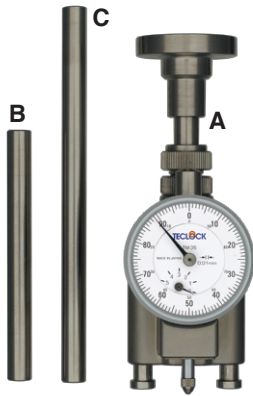




## Crankshaft Deflection Gauges

- Exclusive instrument to measure deflections of engine crank of automobiles and ships etc.

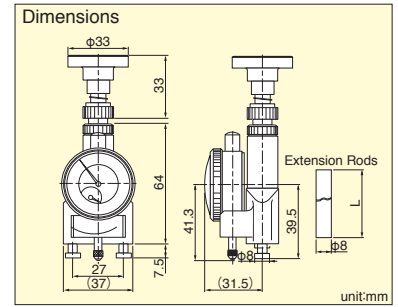


### CSDG-A

Graduation 0.01mm  
Measuring Range 100~230mm

#### Specifications

Model	Graduation (mm)	Measuring Range (mm)	Indicator Error (μm)	Weight (g)
CSDG-A	0.01	100~230	±15	300



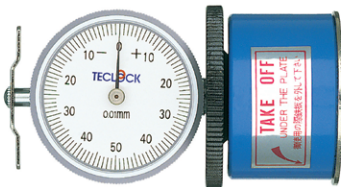
#### Dimensions Table (Extension Rods)

NO.	L	Measuring Range
A	35	100~145mm
B	80	145~190mm
C	120	185~230mm

unit:mm

## Crankshaft Deflection Gauges with magnet

- Small type which can be fixed to measuring position by magnet.



### TM-104YS

Graduation 0.01mm  
Measuring Range 65~82mm

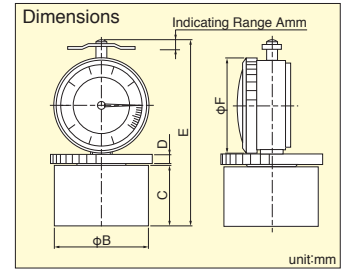


### TM-106YS

Graduation 0.01mm  
Measuring Range 99~113mm

#### Specifications

Model	Graduation (mm)	Measuring Range (mm)	Indicating Range of Dial Indicator (mm)	Dial Gauge Error (μm)	Holding Power (N)	Weight (g)
TM-104YS	0.01	65~82	4	±15	100	230
TM-106YS	0.01	99~113	5	±15	100	330



#### Dimensions Table

Model	A	B	C	D	E	F
TM-104YS	4	35	22	4.5	68.5	35
TM-106YS	5	32	32	7	102.3	47

unit:mm