

# ABSOLUTE Digimatic Height Gage

**SERIES 570 — with ABSOLUTE Linear Encoder**



## FEATURES

- Built in ABSOLUTE linear encoder  
This encoder eliminates the necessity of setting the reference point at every power-on. It has improved reliability because no over-speed error will occur.
- Rigid column structure ensures high measuring accuracy.
- With large smooth slider feed wheel.
- Carbide-tipped scriber is provided.
- With SPC data output.

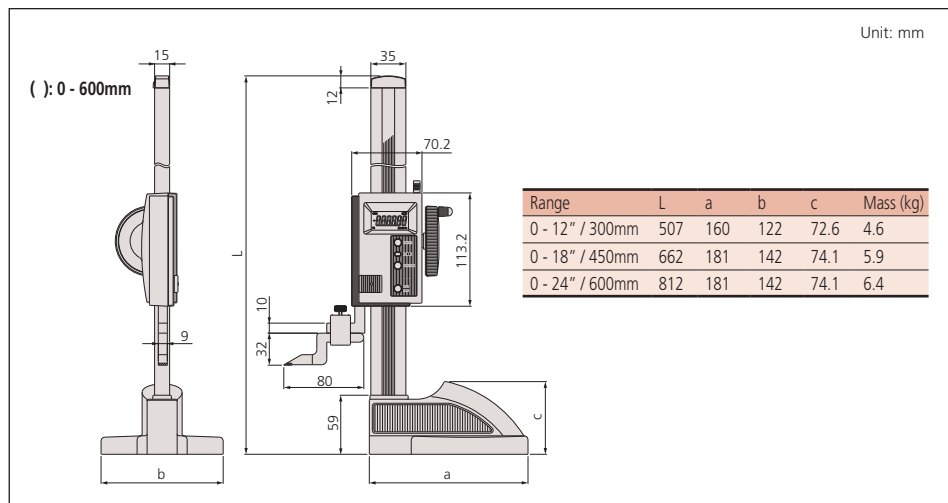


## SPECIFICATIONS

Metric			
Range	Order No.	Accuracy	Resolution
0 - 300mm	<b>570-302</b>	±0.03mm	0.01mm
0 - 600mm	<b>570-304</b>	±0.05mm	0.01mm

Inch/Metric			
Range	Order No.	Accuracy	Resolution
0 - 12" / 0 - 300mm	<b>570-312</b>	±.0015"	.0005" / 0.01mm
0 - 18" / 0 - 450mm	<b>570-313</b>	±.002"	.0005" / 0.01mm
0 - 24" / 0 - 600mm	<b>570-314</b>	±.002"	.0005" / 0.01mm

## DIMENSIONS AND MASS



## Technical Data

Accuracy: Refer to the list of specifications.  
 Resolution: .0005"/0.01mm or 0.01mm  
 Display: LCD, 6-digit  
 Length standard: ABSOLUTE electrostatic capacitance type linear encoder  
 Max. response speed: Un limited  
 Battery: SR44 (1 pc.), **938882**  
 Battery life: Approx. 20000 hours under normal use

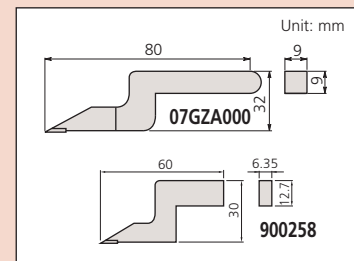
## Function

Origin setting, ABS/INC switching, Power ON/OFF, Data hold, Data output, inch/mm conversion (on inch/metric models only)  
 Alarm: Low voltage, Counting value composition error

## Standard Scriber Provided

Metric models: Carbide-tipped scriber (**07GZA000**), scriber clamp (**05GZA033**)  
 Inch/Metric models: Carbide-tipped scriber (**900258**), scriber clamp (**901385**)

## Dimension of scriber



## Optional Accessories

- 905338:** SPC cable (40" / 1m)
- 905409:** SPC cable (80" / 2m)
- 953638:** Holding bar for test indicator (length: 50mm)
- 953639:** Holding bar for test indicator (length: 2")
- 902053:** Swivel clamp used with holding bar (metric)
- 900322:** Swivel clamp used with holding bar (inch)



Large smooth slider feed wheel



Large clamp lever



Comfortable grip base