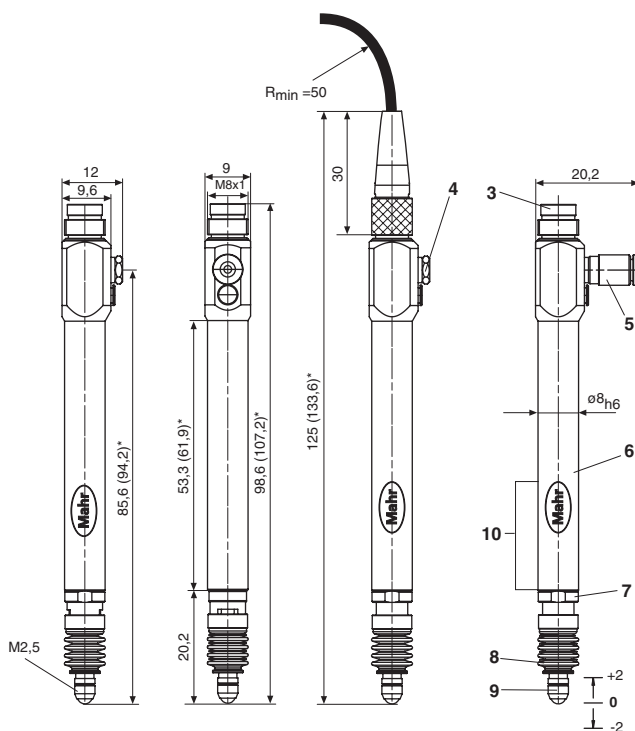
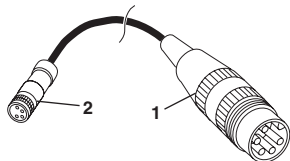


## Inductive Probe Millimar P1300 M / T Half Bridge

- 1 Connection jack for an evaluation instrument
- 2 Connecting plug for the probe
- 3 Socket
- 4 Screw sealing plug SW 4.6
- 5 Hose connector for compressed air (external diameter 3 mm)
- 6 Mounting shank
- 7 Locking nut
- 8 Sealing bellows
- 9 Contact point 901 H
- 10 Preferred clamping area



\* Values shown in brackets apply to Tesa-compatibility

## Individual Components and Accessories P1300



P1300 .. A



P1300 .. B



Connector for the air hose (90°)



Connection cable 2.5 m / 8 ft

	Order no.
<b>P1300 MA</b> without cable	<b>4400182</b>
<b>P1300 MB</b> without cable	<b>4400183</b>
<b>P1300 TA</b> without cable	<b>4400192</b>
<b>P1300 TB</b> without cable	<b>4400193</b>
<b>Hose connector</b> for compressed air 90°	<b>4400238</b>
<b>Cable</b> for P1300 - 90° 2.5 m / 8 ft	<b>4885334</b>
<b>Cable</b> for P1300 - 90° 5 m / 16 ft	<b>4885335</b>
<b>Cable</b> for P1300 - 90° 10 m / 32 ft	<b>4885336</b>
<b>Cable</b> for P1300 2.5 m / 8 ft	<b>4885220</b>
<b>Cable</b> for P1300 5 m / 16 ft	<b>4885259</b>
<b>Cable</b> for P1300 10 m / 32 ft	<b>4885260</b>

	Order no.
<b>Sealing bellows</b> for P1300 .. A	<b>7021546</b>
P1300 .. B	<b>7028220</b>
<b>Measuring force springs<sup>1)</sup></b> for P1300 .. A	
0.25 N	<b>7026827</b>
0.50 N	<b>7026827</b>
0.75 N	<b>7026828</b>
1.00 N	<b>7026849</b>
1.25 N	<b>7025579</b>
1.50 N	<b>7025505</b>

<sup>1)</sup> All measuring forces (except 0.25 N) including the sealing bellows have a measuring spring force of ca 0.25 N at zero point.