

Small Comparator Stands 820

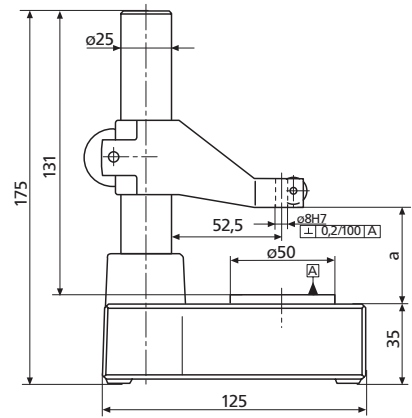
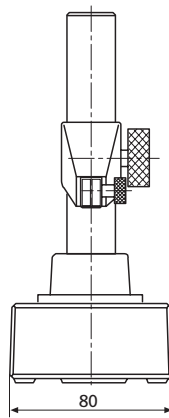
820 N



Indicating instruments are sold separately

Features

- Sturdy design
- Plate is made from either hardened steel or black granite or ceramic
- Rugged ground post made of stainless steel
- Fine adjustment, consisting of a strong, rigid parallel spring assembly (Small Comparator Stands 820 FG and 820 FC)
- Adjustable support arm for a indicating instrument



820 N

Technical Data

	Working range a		Flatness tolerance (DIN 876)	Fine adjustment range	Weight	Order no.* Mount dia. 8H7	Order no.* Mount dia. 3/8 inch	Remarks
	mm	(inch)	mm		kg			
820 N	0 - 110	(0 - 4.3")	00		2.6	4430000	4430018	
820 NG	0 - 130	(0 - 5.1")	0		3.2	4430100	4430110	
820 FG	0 - 130	(0 - 5.1")	0	± 0.2	3.2	4431100	4431110	fine adjustment
820 NC	0 - 110	(0 - 4.3")	00		4.0	4432100	4432120	
820 FC	0 - 110	(0 - 4.3")	00	± 0.2	4.0	4433100	4433110	fine adjustment

* excludes indicating instrument