

Product Information

Workshop calipers MarCal 18 N

Application:

With two mm scales and vernier scales to directly read external and internal dimensions

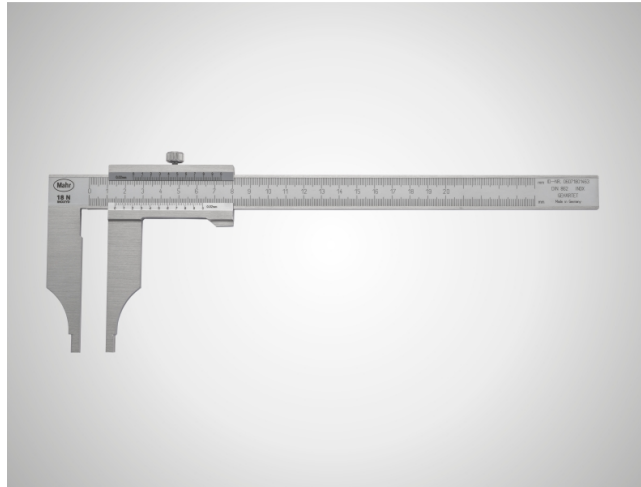
- Lower scale for external dimensions
- Upper scale for internal dimensions

Product features:

- Vernier and scale have a satin chrome finish for glare free reading
- Locking screw above
- Rounded measuring blades for inside measurements
- Measuring surfaces made of steel
- Slide and beam made of hardened stainless steel
- Raised guideway for the protection of the scale

Package contains:

- up to 1000 mm delivered with a case, over 1000 mm individually packed



Order-No.: 4112200

Technical Data

Measuring range	0 - 200
Readings mm	0,02 mm
Error limit	0,05 mm

Dimensions

a	5 mm
b	10 mm
c	80 mm
e	310 mm
f	20 mm

