



### Technical Data

Accuracy: Refer to the list of specifications  
 Resolution: .0005"/0.01mm or 0.01mm  
 Display: LCD  
 Battery: SR44 (1 pc.), **938882**  
 Battery life: Approx. 2000 hours

### Function

Origin-set, Zero-setting, Power ON/OFF,  
 inch/mm conversion (on inch/metric models only)  
 Alarm: Low voltage, Counting value composition error

### Optional Accessories

**959143:** Data hold unit  
**959149:** SPC cable with data switch (40" / 1m)  
**959150:** SPC cable with data switch (80" / 2m)



### Technical Data

Resolution: .0005"/0.01mm or 0.01mm  
 Repeatability: .0005"/0.01mm  
 Display: LCD  
 Length standard: ABSOLUTE electromagnetic induction-type  
 linear encoder  
 Max. response speed: Unlimited  
 Battery: SR44 (1 pc.), **938882**  
 Battery life: Approx. 20,000 hours (3 years) under normal use  
 Dust/Water protection level: IP67

### Function

Origin-set, Zero-setting, Automatic power on/off, Data  
 output, inch/mm conversion (on inch/metric models only)  
 Alarm: Low voltage, Counting value composition error

### Optional Accessories

**05CZA624:** SPC cable with data switch (40" / 1m)  
**05CZA625:** SPC cable with data switch (80" / 2m)  
 \_\_\_\_\_: Extension base (see page D-56.)



05CZA624



Measurement data output  
 function is available with a  
 water-resistant SPC cable.

# Tire Tread Depth Gauge

## SERIES 571

### FEATURES

- ABSOLUTE Digimatic Tread Depth Gauge can keep track of the origin point, once set, for the life of the battery.
- Specially designed to measure tire tread depth.
- With SPC data output.



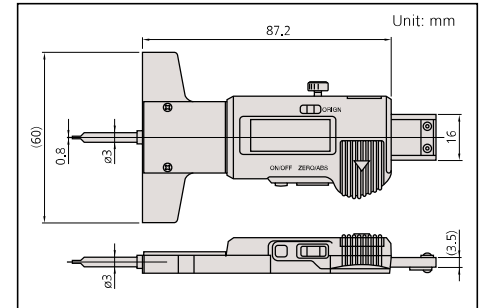
571-100MOT-10

### SPECIFICATIONS

Metric			
Range	Order No.	Resolution	Accuracy
0 - 25mm	<b>571-100MOT-10</b>	0.01mm	±0.02mm

Inch/Metric			
Range	Order No.	Resolution	Accuracy
0 - 1" / 0 - 25mm	<b>571-200MOT-10</b>	.0005" / 0.01mm	±.0005"

### DIMENSIONS



# ABSOLUTE Point-Type Digimatic Depth Gauge

## SERIES 571

### FEATURES

- ABSOLUTE Digimatic Depth Gauge can keep track of the origin point, once set, for the life of the battery.
- Base and measuring faces are hardened and micro-lapped.
- Optional wider extension base are available.
- With SPC data output.



### SPECIFICATIONS

Metric				
Range	Order No.	Resolution	Accuracy	Mass(g)
0-150mm	<b>571-301-20</b>	0.01mm	±0.02mm	207
0-200mm	<b>571-302-20</b>	0.01mm	±0.02mm	227

Inch/Metric				
Range	Order No.	Resolution	Accuracy	Mass(g)
0-6" / 0-150mm	<b>571-311-20</b>	.0005" / 0.01mm	±.001" / ±0.02mm	207
0-8" / 0-200mm	<b>571-312-20</b>	.0005" / 0.01mm	±.001" / ±0.02mm	227

### DIMENSIONS

