

Granite Comparator Stands

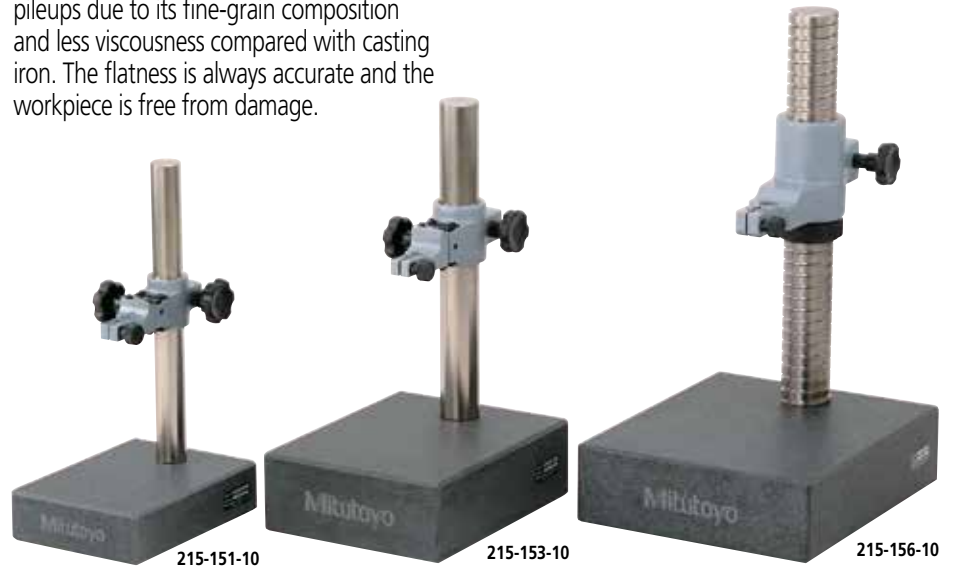
SERIES 215

FEATURES

- Easy maintenance due to the non-rusting base.
- The rigid granite base is free from burrs and pileups due to its fine-grain composition and less viscousness compared with casting iron. The flatness is always accurate and the workpiece is free from damage.

Optional Accessories

21JAA329: $\varnothing 8$ mm bush
 21JAA330: $\varnothing 9.53$ mm bush
 21JAA331: $\varnothing 15$ mm bush
 only available for 215-156-10



SPECIFICATIONS

Order No.	Granite base size (W x D x H)	Column travel	Stem hole	Remarks
215-151-10	150 x 200 x 50mm	250mm	$\varnothing 8$ mm, $\varnothing 9.53$ mm	With fine adjustment of 1mm range
215-153-10	200 x 250 x 80mm	260mm	$\varnothing 8$ mm, $\varnothing 9.53$ mm	With fine adjustment of 1mm range
215-156-10	300 x 250 x 80mm	275mm	$\varnothing 8$ mm, $\varnothing 9.53$ mm, $\varnothing 20$ mm	With fine adjustment over the entire travel

DIMENSIONS

