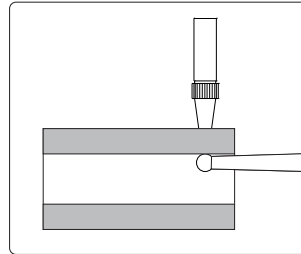
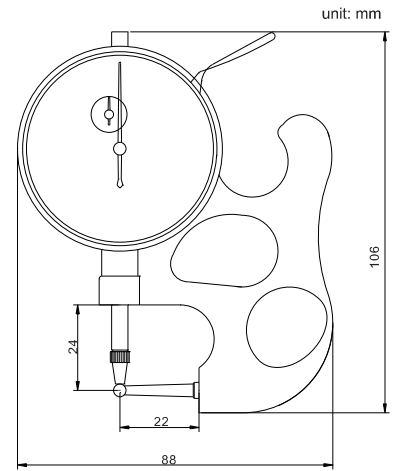


448

THICKNESS GAUGE

- ◆ Measure the wall thickness of tube

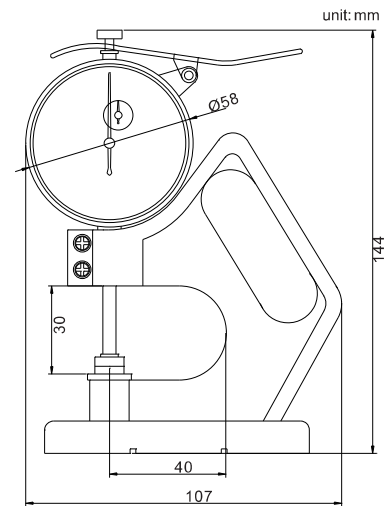


Code	Range	Accuracy	Graduation
448-010-11	0-10mm	±0.02mm	0.01mm

449

THICKNESS GAUGE

- ◆ Graduation: 0.01mm
- ◆ Steel tip, diameter: Ø10mm



Code	Range	Accuracy
449-010-11	0-10mm	±0.02mm