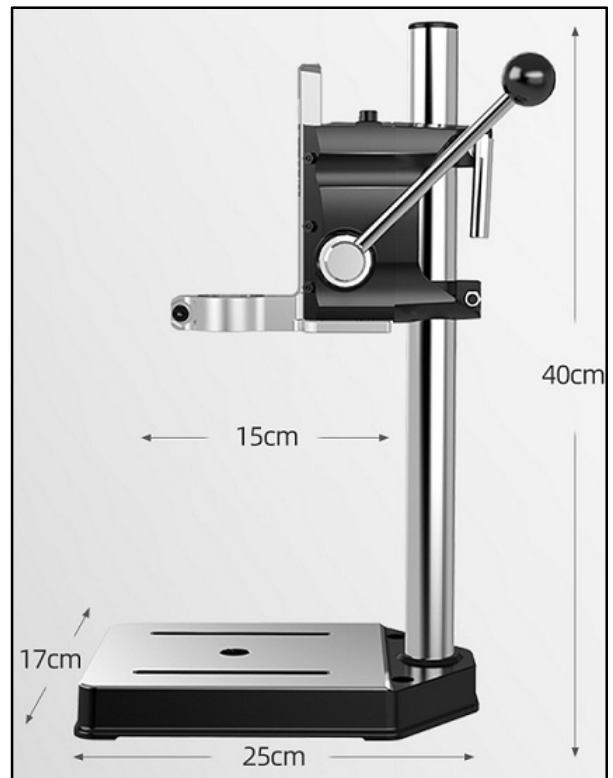


## HAND PRESS TOOLS

### Model: HPT-10



#### Technical Data:

Traveling Distance	Shaft Diameter x Length	Max. Clamping Diameter	Base Material	Weight
60mm	32 x 400mm	44mm	Aluminum Alloy	2.5kg