

## MAGICUTTER (MC-01)

### INCREDIBLE ULTRASONIC CUTTER

#### Introduction:

The world's smallest portable  
ultrasonic cutter



#### FEATURES



ULTRASONIC VIBRATION



30W HIGH OUTPUT



40,000 VIBRATION  
PER SECOND



SMALL AND EASY  
TO CARRY



REPLACEABLE BLADES



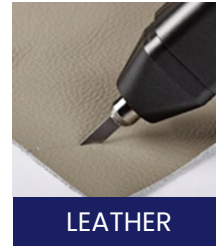
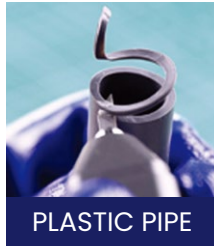
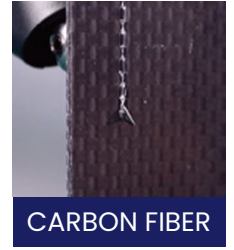
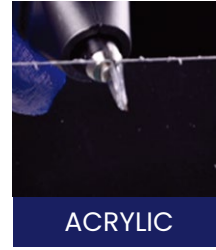
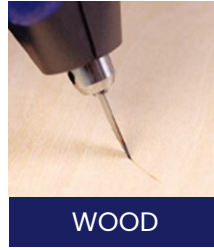
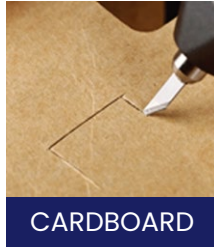
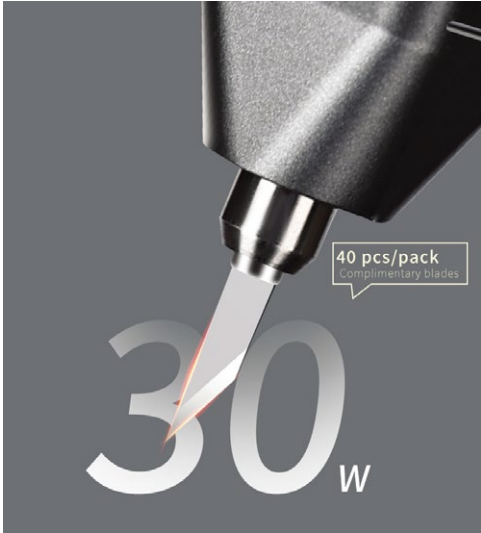
TYPE-C PORT  
\*POWERED BY MOBILE BATTERIES



\* THE ULTRASONIC CUTTING KNIFE NEEDS TO BE PLUGGED IN FOR USE.  
THE LIGHT WHEN NOT PLUGGED IN IS A PROMOTIONAL RENDERING.

# UP TO MAX 30W OUTPUT POWER

## Cutting Through Multiple Materials



## TYPE -C

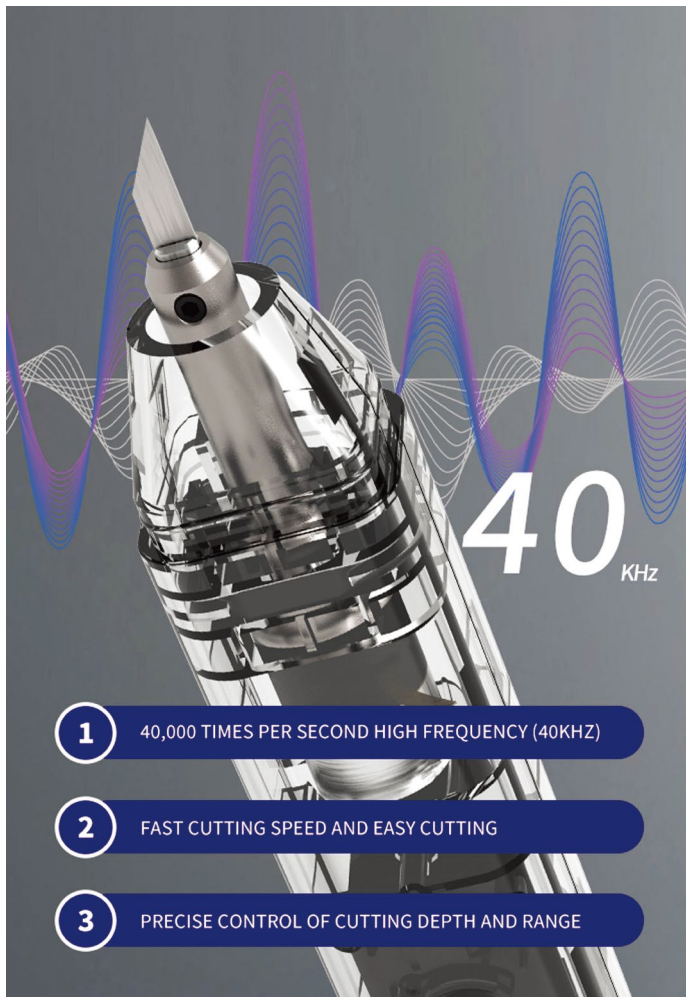
### THE TYPE-C INTERFACE FOR CHARGING MOBILE PHONES CAN ALSO BE USED FOR MAGICUTTER

TRADITIONAL ULTRASONIC CUTTERS ARE USUALLY POWERED DIRECTLY FROM THE SOCKET MAGICUTTER TYPE-C POWER SUPPLY AND SUPPORTS PD/QC PROTOCOL CAN BE POWERED BY A MOBILE POWER BANK

- 1 SUPPORT TYPE-C INTERFACE POWER SUPPLY
- 2 120G LIGHTWEIGHT BODY, EASY TO CARRY
- 3 AUTOMATICALLY STOPS IN 5 MINUTES FOR A SAFE USE EXPERIENCE



\* SUPPORTS 12V OUTPUT PWER ADAPTER OR POWER BANK FOR POWER SUPPLY.  
THE POWER OF THE POWER ADAPTER OR POWER BANK IS REQUIRED TO BE GREATER THAN 30W.



## **40,000 HIGH-FREQUENCY VIBRATIONS PER SECOND CUT MORE SMOOTHLY**

**STRONG KINETIC ENERGY OUTPUT, SMOOTH CUTTING WITHOUT BLOCKAGE**



## **EASY TO USE**

**HIGH-SPEED VIBRATION FOR EASY CUTTING**

**PRECISE CONTROL OF CUTTING DEPTH AND RANGE IMPROVES CUTTING ACCURACY MORE CONSISTENT WITH THE CUTTING OF PAPER MODELS AND SMALL PARTS**

\*CHILDREN CANNOT USE IT ALONE AND NEED TO BE USED UNDER ADULT SUPERVISION





## LIGHTWEIGHT FUSELAGE

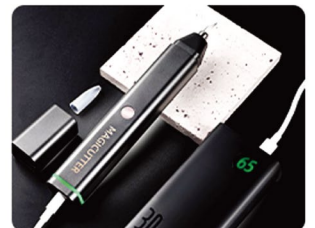
Use for a long time without getting tired of your hands

120g lightweight body

SMALL SIZE, HIGH POWER, LABOR SAVING AND EASIER  
JUST CONNECT TO A POWER SOURCE AND GET STARTED,  
LEAVING NO CLUTTER ON YOUR DESK



Other ultrasonic cutting knives  
Powered by socket, large size  
Troublesome to store and carry



MAGICUTTER  
TYPE-C interface power supply  
Weighing only 120g, compact and  
easy to store



## COMPACT AND DOES NOT TAKE UP SPACE

MAKE PEACE WITH SPACE

EASY TO CARRY AROUND, SMALL AND NOT  
CUTBERSOME

JUST TAKE THE CUTTING KNIFE AND LEAVE



## EASY TO USE ADJUSTABLE IN TWO GEARS KNOW YOUR THOUGHTS BETTER

TWO GEAR OPTIONS TO MEET YOUR CUTTING NEEDS.

THE INDICATOR LIGHT SHOWS DIFFERENT COLORS OF LIGHT IN DIFFERENT SITUATIONS

Indicator light status description:

If only PD/QC supports 12V, the indicator light flashes blue-green and then turns to white standby;

If only PD/QC supports 15V, the indicator light flashes yellow and then turns to white standby;

If the PD/QC supports 12V and 15V, the indicator light flashes green and then turns to white for standby;

If the protocol is not supported, the indicator light will turn red.

## DETAILS DISPLAY



**Switch button** | Switch button design, convenient and considerate



**Automatically stops in 5 minutes** | You can rest assured if you leave during the cutting process



**Double cover design** | Double protection of the blade, safer to carry



**Outdoor use** | Rechargeable power bank, can be easily used outdoors



# CERTIFIICATES



Utility Model Patents

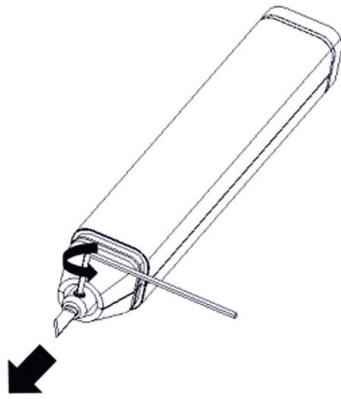


EU Patent

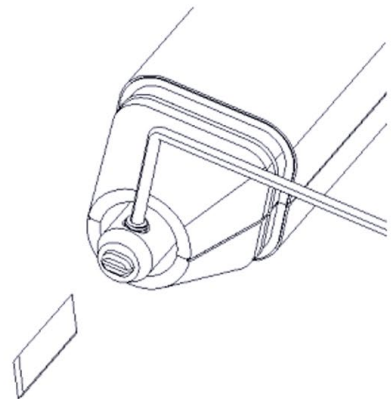
## REPLACEMENT BLADE

Before replacing the blade, be sure to confirm that the power supply has been cut off.

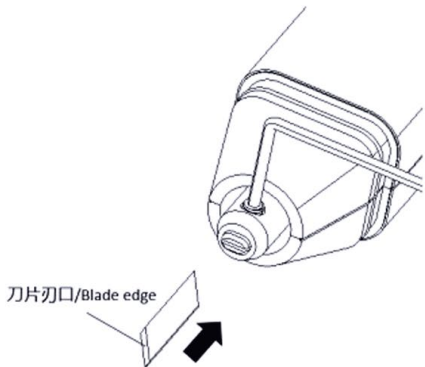
The blade and ultrasonic vibrator must be cooled down and the power supply must be cut off before the blade can be replaced.



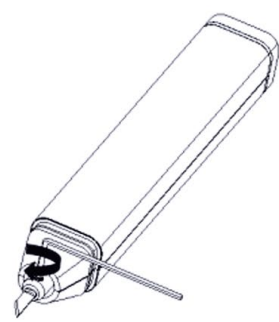
Rotate direction as shown  
Loosen the fastening screws



Pull out the old blade  
Please be careful not to scratch your fingers



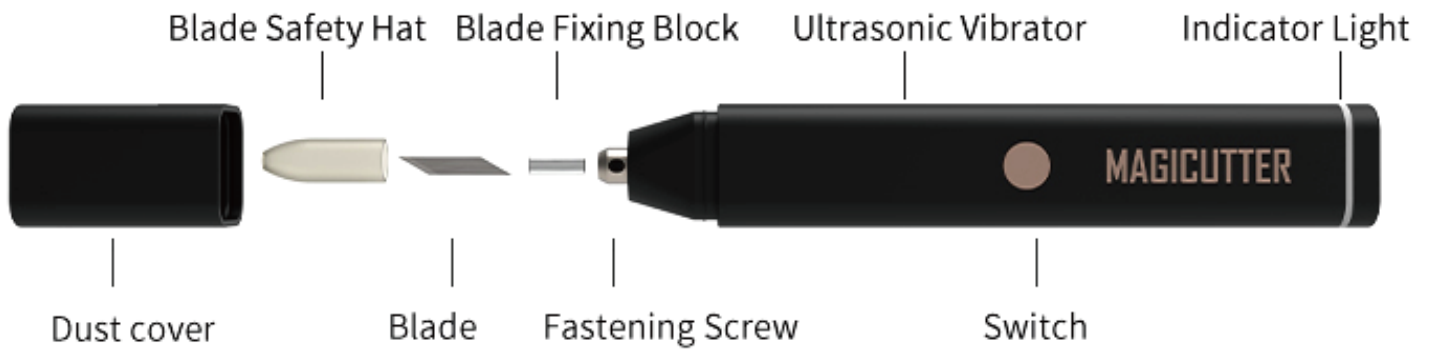
New blade inserted into blade  
In the groove of the fixed block



Rotate direction as shown  
Tighten the fastening screws

Note that the blade must be inserted into the bottom of the slot.  
And be careful not to install the blade in the wrong direction.  
Please refer to the graphic requirements for the cutting edge direction.

If the blade fixing screw is loose,  
The blade may fly out and cause injury.  
And may cause poor cutting effect, malfunction, etc.



Product Dimensions (unit mm)  
**26 x 23 x 182**

Maximum Output Power  
**30W**

Usage Environment  
**5-35 C, humidity 20 to 70%**  
 (no condensation)

Weight (excluding power and data cable)  
**120g**

Rated voltage  
**DC12V/15V**

Power Supply Protocol  
**PD QC (12V)**



MAGICUTTER ultrasonic cutting knife/power supply cord

Spare blade/blade fixing block/fastening screw/hexagonal wrench