



User's Guide



**A2000 Series
alarming thermo-hygrometer,
desktop and wall-mounted**

HUATO

www.huato.cn

**HUATO
Headquarters:**

HUATO ELECTRIC CO., LTD.

For Other Locations Visit www.huato.cn

Table of Contents

Section	Page
Section 1 Introduction	1
1.1 Introduction	1
1.2 Features	1
1.3 Applications	1
1.4 Data Logger Model	1
1.5 Temperature Data Logger Appearance	2
1.6 Temperature and Humidity Data Logger Appearance	3
1.7 Temperature and Humidity Data Logger Screen	4
1.8 Button function instructions	5
Section 2 Attention	6
Section 3 FAQ	6
3.1 LCD Screen Dim	6

Section 1 - Introduction

HUATO A2000 series alarming thermo-hygrometer measures temperature and humidity with different measure accuracy and Auto alarming. LCD displays real-time temperature and humidity, alarming, time, battery status, etc. This meter has been widely used in laboratories, factories, medical industry .etc.

Section 1.2 - Features

- Fahrenheit and Celsius are available.
- Large LCD display temperature, humidity, data and time as well as date simultaneously.
- Elegant appearance design, desktop and wall-mounted are available.
- Built-in audible and visual alarm and limit alarm.
- DC Power Supply: 9-12V, 5.5mm.
- Host Size(L x H x D): 135mm x 124mm x 35mm.
- LCD Screen Size: 88mm x 55mm.
- Temperature & Humidity External Probe Diameter: 16mm.

Section 1.3 - Application

- Refrigeration Chamber.
- Supermarkets.
- Working and Living Areas.

NOTE:

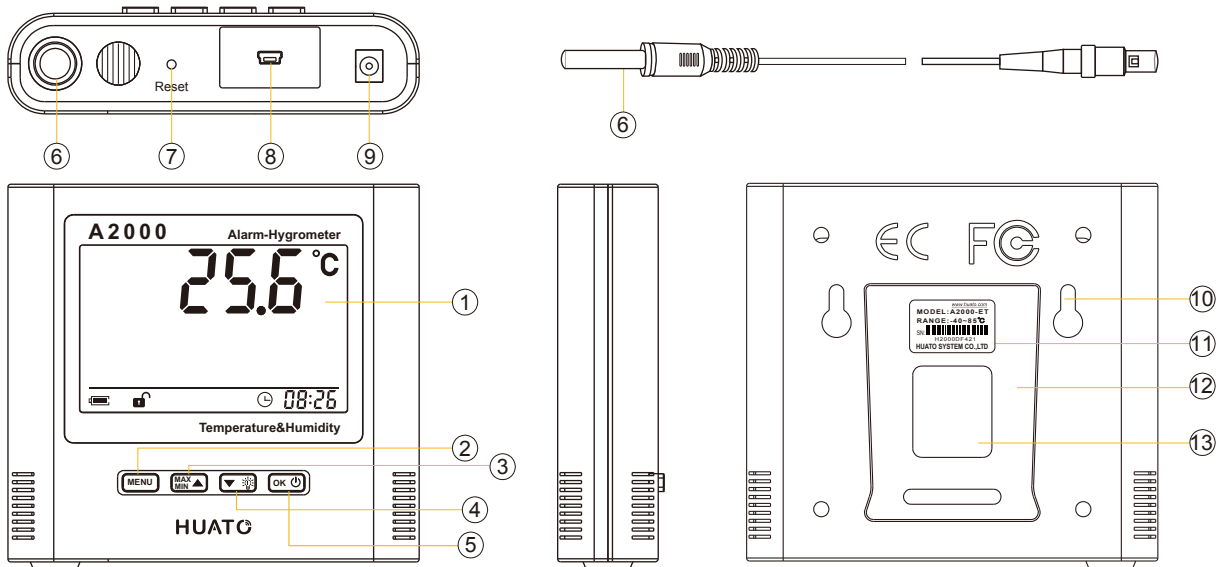
There are no user serviceable parts inside your unit. Attempting to repair or service your unit may void your warranty.

Section 1.4 - Data Logger Model

Model	Temperature Range	Humidity Range	Temperature Accuracy	Humidity Accuracy
A2000-ET	-40~85°C	(none)	±0.5°C	(none)
A2000-DT				
A2000-TH	-20~70°C	0~100%RH	±0.5°C	±5%RH
A2000-EX	-40~85°C			
A2000-TB	-20~70°C	0~100%RH	±0.3°C (-10°C to +40°C) other ±0.5°C	±3%RH typical at 25°C (77°F) from 20%RH to 80%RH, other ±5%RH
A2000-EB	-40~85°C		±0.3 °C (-20°C to +50°C) other ±0.5°C	
A2000-TS	-20~70°C	0~100%RH	±0.2°C (-10°C to +40°C) other ±0.5°C	±2%RH typical at 25°C (77°F) from 20%RH to 80%RH, other ±5%RH
A2000-ES	-40~85°C			

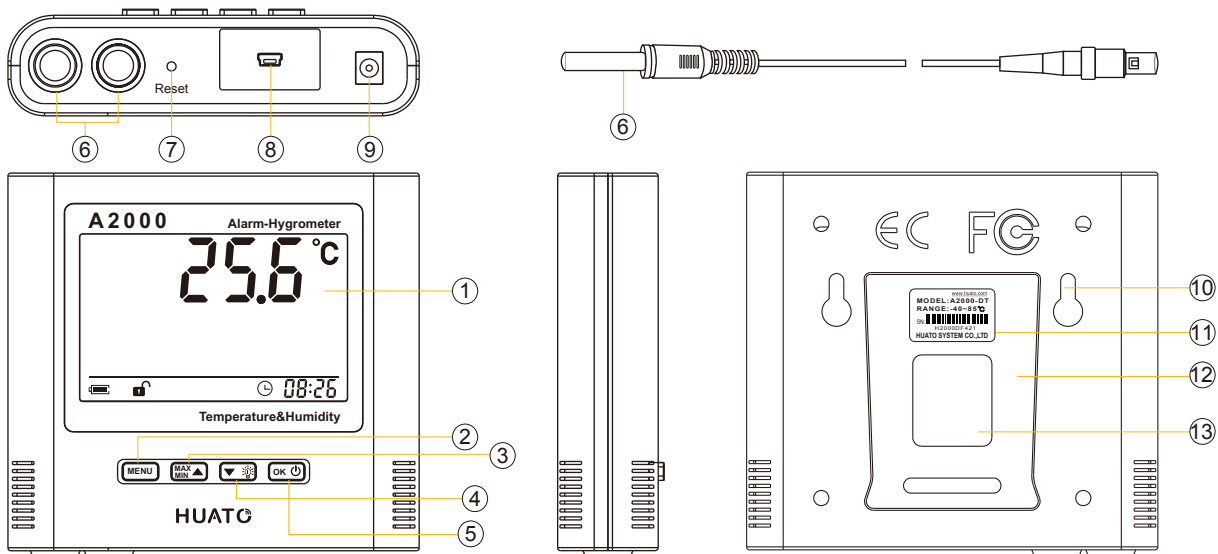
Section 1.5 - Temperature Data Logger Appearance (A2000-ET/A2000-DT)

A2000-ET



- | | | |
|---------------------|-----------------------------|-------------------|
| 1. LCD Screen | 6. External Humidity Sensor | 10. Hanger |
| 2. Menu Button | 7. Reset | 11. Label |
| 3. MAX/MIN Button | 8. USB Interface | 12. Holder |
| 4. Backlight Button | 9. DC 12V | 13. Battery cover |

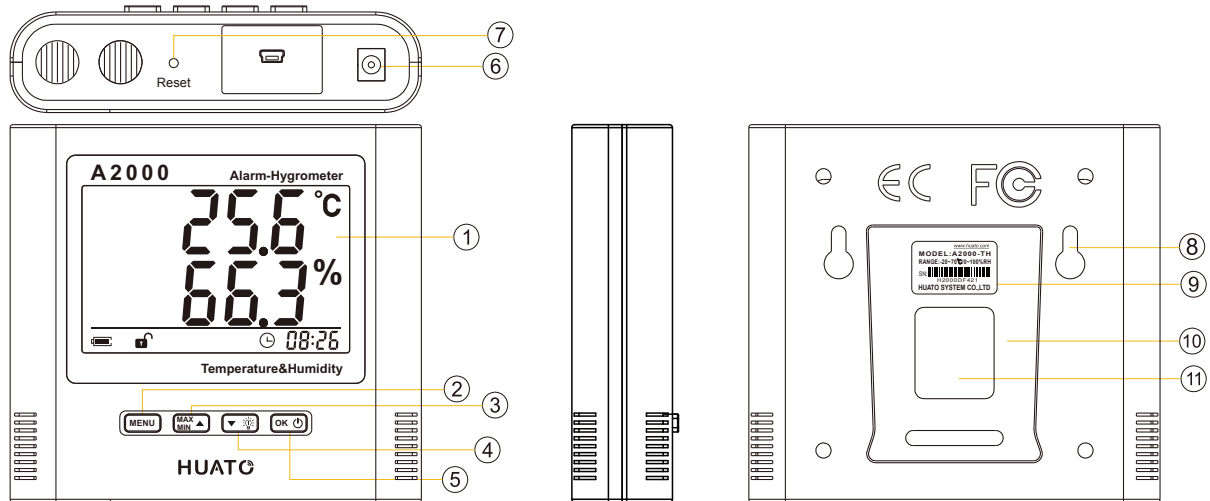
A2000-DT



- | | | |
|---------------------|-----------------------------|-------------------|
| 1. LCD Screen | 6. External Humidity Sensor | 10. Hanger |
| 2. Menu Button | 7. Reset | 11. Label |
| 3. MAX/MIN Button | 8. USB Interface | 12. Holder |
| 4. Backlight Button | 9. DC 12V | 13. Battery cover |

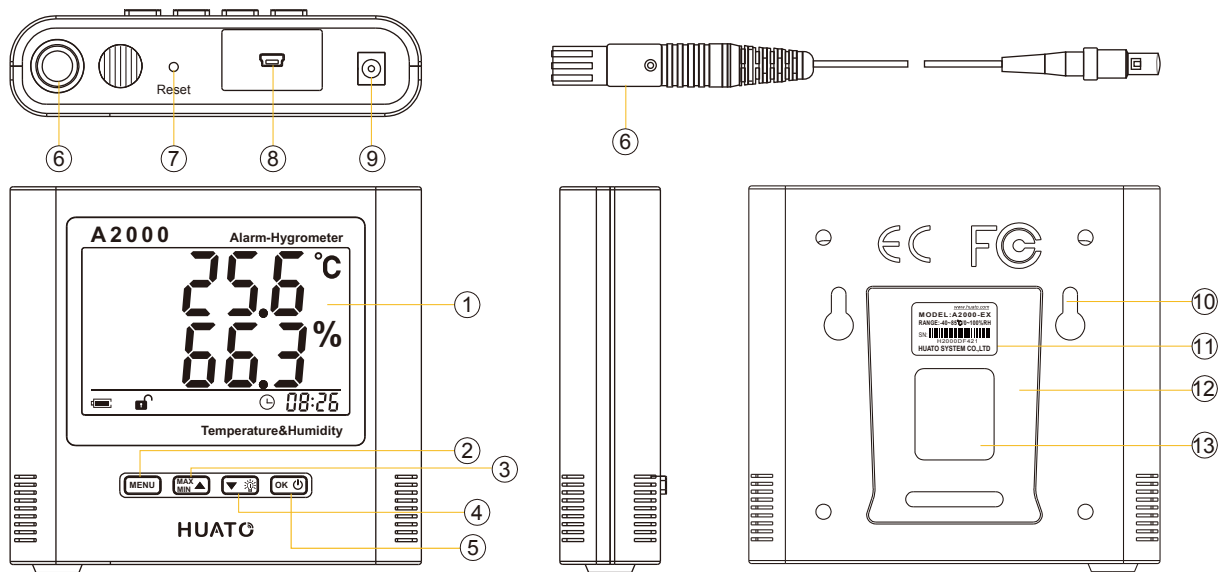
Section 1.6 - Temperature and Humidity Data Logger Appearance (A2000-TH/A2000-EX/A2000-TB/A2000-EB/A2000-TS /A2000-ES)

A2000-TH/A2000-TB/A2000-TS



- | | | |
|---------------------|------------------|-------------------|
| 1. LCD Screen | 5. ON/OFF Button | 9. Label |
| 2. Menu Button | 6. DC 12V | 10. Holder |
| 3. MAX/MIN Button | 7. Reset | 11. Battery cover |
| 4. Backlight Button | 8. Hanger | |

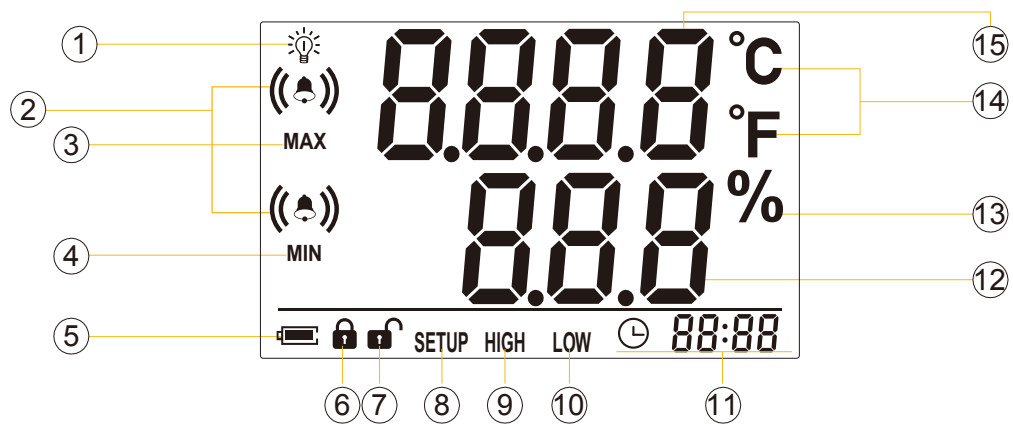
A2000-EX/A2000-EB/A2000-ES



- | | | |
|---------------------|--|-------------------|
| 1. LCD Screen | 6. External Temperature
Humidity Sensor | 10. Hanger |
| 2. Menu Button | 7. Reset | 11. Label |
| 3. MAX/MIN Button | 8. USB Interface | 12. Holder |
| 4. Backlight Button | 9. DC 12V | 13. Battery cover |
| 5. ON/OFF Button | | |

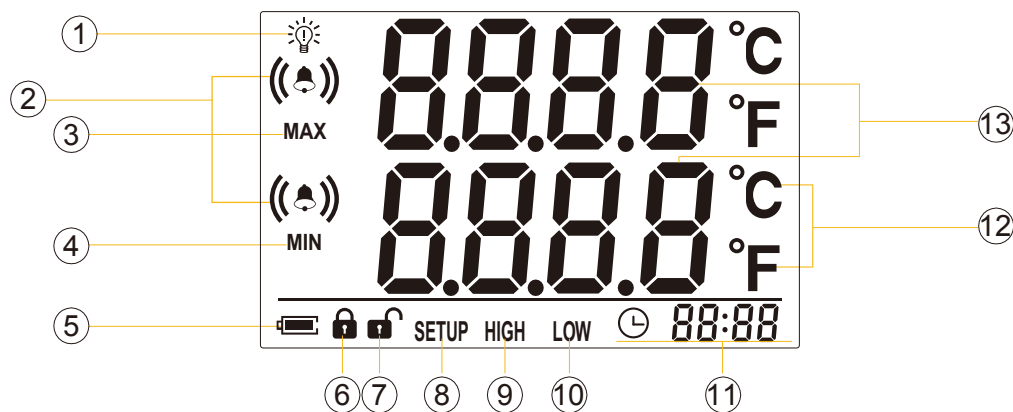
Section 1.7 - Temperature and Humidity Data Logger Screen

A2000-TH/A2000-EX/A2000-TB/A2000-EB/A2000-TS/A2000-ES









- | | |
|---|-----------------------------------|
| 1. Backlight (optional function) | 8. Indicate the setup situation. |
| 2. Alarm when the value exceeds the setting limits. | 9. Indicate the high limit setup. |
| 3. Press Max/Min and display the maximum value. | 10. Indicate the low limit setup. |
| 4. Press Max/Min and display the minimum value, press again and them show the current value. | 11. The operation time. |
| 5. Indicates full power when symbol is black, exchange battery is necessary when it is white. | 12. Humidity display area. |
| 6. Lock. | 13. Humidity symbol. |
| 7. Unlock. | 14. Temperature Unit: °C or °F. |
| | 15. Temperature display area. |






A2000-ET/A2000-DT



- | | |
|---|-----------------------------------|
| 1. Backlight (optional function) | 7. Unlock. |
| 2. Alarm when the value exceeds the setting limits. | 8. Indicate the setup situation. |
| 3. Press Max/Min and display the maximum value. | 9. Indicate the high limit setup. |
| 4. Press Max/Min and display the minimum value, press again and them show the current value. | 10. Indicate the low limit setup. |
| 5. Indicates full power when symbol is black, exchange battery is necessary when it is white. | 11. The operation time. |
| 6. Lock. | 12. Temperature Unit: °C or °F |
| | 13. Temperature display area. |

Section 1.8 - Button function instructions

-  : Setup key, press this key, the hygrometer enters into setting status and customers can set temperature and humidity high and low limits, alarm function, clock as well as re-calibration setup.
-  : Multifunction key, press to add the value during setting status and displayed on LCD, add 1 every press. Being the maximum button during the normal working status.
-  : Multifunctional key, press to decrease the value during setting status and displayed on LCD, decrease 1 every press. Being the minimum button during the normal working status.
-  : Multifunctional key, OK key during the setting status and can enter the next setting menu (high and low limit setting, re-calibration setting, alarm setting and clock setting one by one). ON/OFF key during normal working status.
-  : Press these two keys simultaneously can lock and unlock the hygrometer.
-  Keys are unavailable during locking status.

For example: If you want to set temperature high limit, press , enter the setting status, press , enter the high limit setting status, then press  , to add or decrease the temperature value, press , when temperature setting is complete and will enter the next setting status.

(High and low limits setup→Alarm function setup→Clock setup→Re-calibration setup.)

- Plastic shell is ABS, flame retardant, not resistant to acid and alkali.
- If repair is needed, only authorized technician can do the repair.
- The instrument configuration by 9V Battery is not rechargeable.
- USB power supply (2.7V) cannot let the Data Logger work.

Section 3.1 - LCD Screen Dim

Insufficient battery or the environment temperature is too low or too high.

Solution : In the case of insufficient battery, please replace the battery. If results from environment temperature, please immediately take the logger out of the environment.