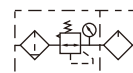


# Preparation unit—A, B Series

## AFC、BFC Series FR.L. Combination

### Symbol



### Product feature

1. The structure is delicate and compact, which is convenient for installation and application.
2. The pressed-in self-locking mechanism can prevent the abnormal movement of the set pressure caused by external interfere.
3. The pressure loss is low and the efficiency of water separating is high.
4. The quantity of oil dripping can be directly observed through transparent check dome.
5. In addition to standard type, lower pressure type is optional (The highest adjustable pressure is 0.4MPa).

### Specification

| Model                  | AFC1500   | AFC2000 | BFC2000 | BFC3000 | BFC4000 |         |
|------------------------|---|---------|---------|---------|---------|---------|
| Fluid                  | Air   |         |         |         |         |         |
| Port size [Note1]      | 1/8"  | 1/4"    | 1/4"    | 3/8"    | 1/2"    |         |
| Filtering grade        | 40 μm or 5 μm   |         |         |         |         |         |
| Pressure range         | Semi-auto and automatic drain: 0.15~0.9MPa(20~130Psi) Manual drain: 0.05~0.9MPa(7~130Psi) |         |         |         |         |         |
| Max. pressure          | 1.0MPa(145Psi)  |         |         |         |         |         |
| Proof pressure         | 1.5MPa(215Psi)  |         |         |         |         |         |
| Temperature range      | -5~70°C(unfreeze)   |         |         |         |         |         |
| Capacity of drain bowl | 15CC  |         |         | 60CC    |         |         |
| Capacity of oil bowl   | 25CC  |         |         | 90CC    |         |         |
| Recommended lubricant  | ISO VG 32 or equivalent   |         |         |         |         |         |
| Weight                 | 500g  |         |         | 700g    |         |         |
| Constitute             | Filter-Regulator  | AFR1500 | AFR2000 | BFR2000 | BFR3000 | BFR4000 |
|                        | Lubricator  | AL1500  | AL2000  | BL2000  | BL3000  | BL4000  |

[Note1] PT thread, G thread and NPT thread are available.

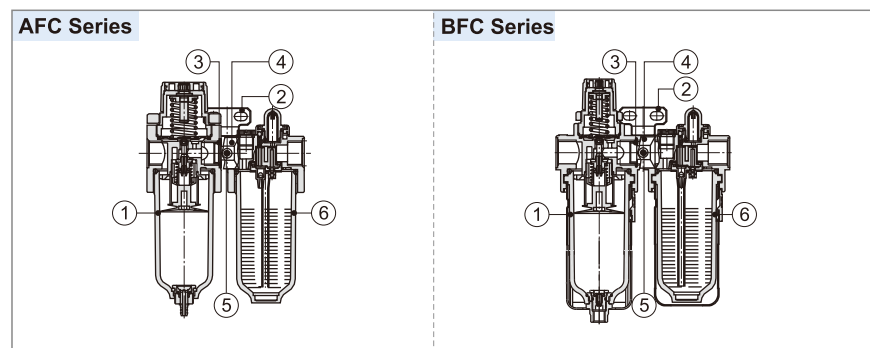
### Ordering code

AFC 2000 M □ □ 1 W □

① ② ③ ④ ⑤ ⑥ ⑦ ⑧

| ① Model                    | ② Port size                            | ③ Drain type  | ④ Type code                   | ⑤ Pressure gauge         | ⑥ Scale   | ⑦ Filtering grade       | ⑧ Thread type  |
|----------------------------|--|---|-------------------------------|--------------------------|---|-------------------------|--|
| AFC: A Series<br>FR.L unit | 1500: 1/8"<br>2000: 1/4"               | Blank: Semi-auto drain<br>M: Manual drain                       | Blank: Standard<br>(0.9MPa)   | Blank: Pressure<br>gauge | 1: MPa<br>2: psi<br>3: bar<br>4: kgf/cm <sup>2</sup><br>& psi | Blank: 40 μm<br>W: 5 μm | Blank: PT<br>(Scale: MPa or kgf/cm <sup>2</sup> & psi)<br>G: G(Scale:bar)<br>T: NPT(Scale:psi) |
| BFC: B Series<br>FR.L unit | 2000: 1/4"<br>3000: 3/8"<br>4000: 1/2" | Blank: Semi-auto drain<br>M: Manual drain<br>A: Automatic drain | L: Lower pressure<br>(0.4MPa) | N: No pressure<br>gauge  |   |                         |  |

### Inner structure



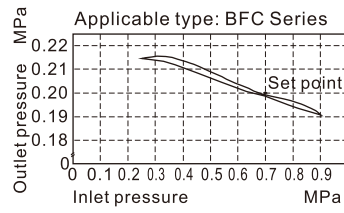
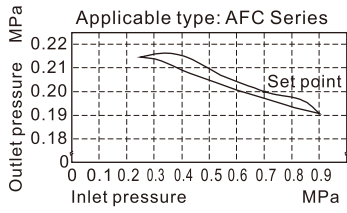
| No. | Item                               |
|-----|------------------------------------|
| 1   | AFR, BFR Series filter & regulator |
| 2   | A, B Series bracket                |
| 3   | A, B Series gasket                 |
| 4   | A, B Series fixed kit              |
| 5   | Screw                              |
| 6   | AL, BL Series lubricator           |

# Preparation unit—A, B Series

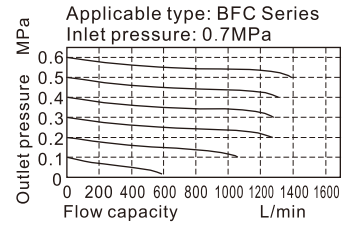
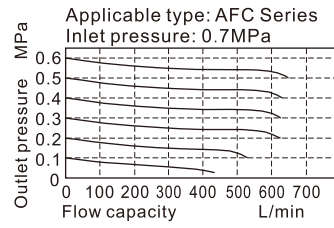
## AFC、BFC Series FR.L. Combination

### Pressure and feature of flow

#### Pressure chart



#### Flow chart

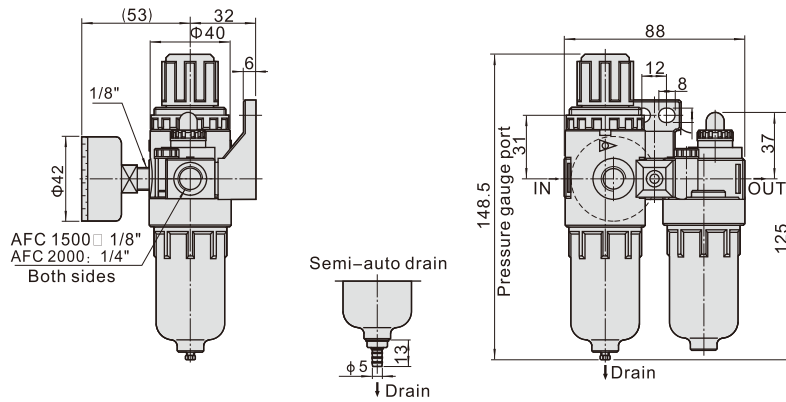


### Selection of drain mode

The drain modes of different series are different. Please refer to P211 for details.

### Dimensions

#### AFC Series



#### BFC Series

