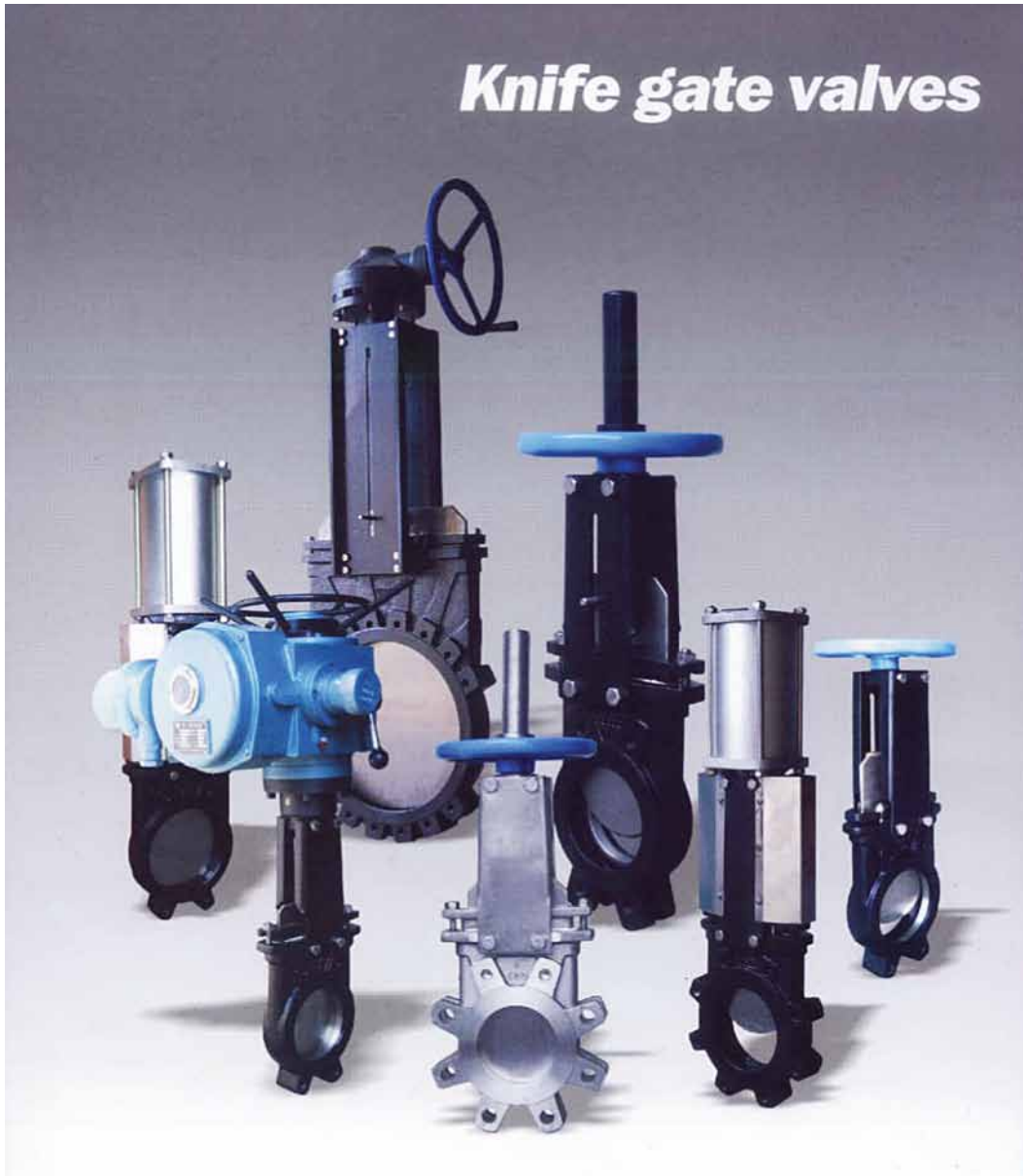




*Knife gate valves*



**VALVE TECHNOLOGY SYSTEMS**  
[www.wogscontrol.com](http://www.wogscontrol.com)

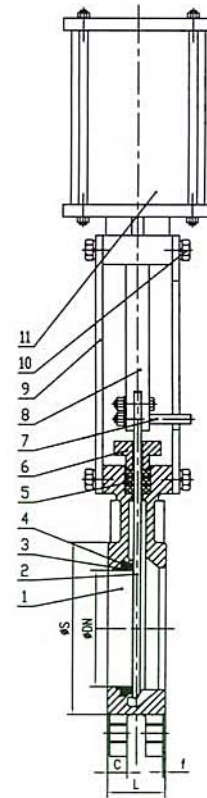
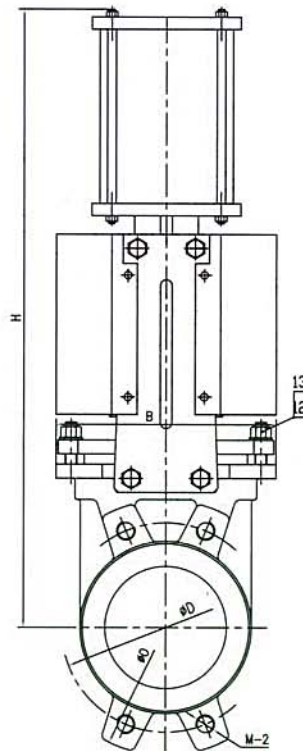
# Pneumatic Knife Gate Valve

Model: GLK673



## Products Range:

- Pressure Rate : PN10
- Size : DN50 - DN600
- Body Material : Ductile iron, stainless steel, duplex stainless steel
- Operated Type : Pneumatic actuator
- Cylinder Type : Double acting



## Main dimensions

DN	L	O	D	S	C	f	M-1	B	H	Weight (KGS)
50	40	165	125	95	16	2	4-M16	136	430	7
65	40	185	145	110	16	2	4-M16	151	460	9
80	50	200	160	127	17	2	8-M16	170	510	12
100	50	220	180	148	17	2	8-M16	190	570	14
125	50	250	210	174	17	2	8-M16	212	660	22
150	60	285	240	199	21	2	8-M20	230	720	25
200	60	340	295	250	21	2	8-M20	286	890	38
250	70	395	350	308	24	2	12-M20	338	1120	65
300	70	445	400	360	24	2	12-M20	388	1230	77
350	96	505	460	416	33	2	16-M20	460	1370	195
400	100	565	515	466	35	2	16-M24	520	1570	240
450	106	615	565	525	36	2	20-M24	585	1720	306
500	110	670	620	584	37	2	20-M24	635	1850	365
600	110	780	725	664	37	2	20-M27	720	2150	420