

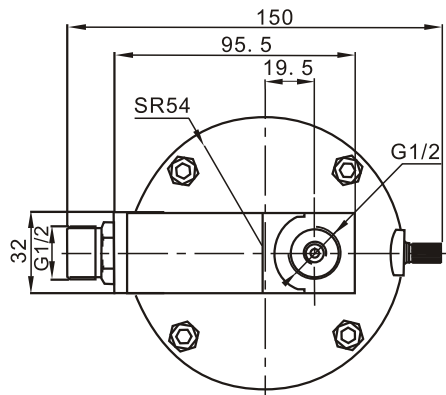
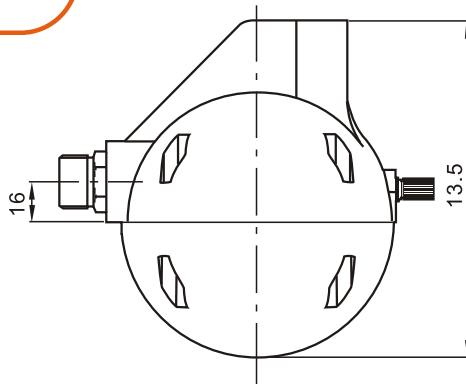
QXPSF Ball Drain Valve

QXPSF



★ Specifications

- (1) Use for air compressor or pipe's automatic drain system.
- (2) Built-in stainless steel float blow-down bottom valve.
- (3) Automatic rationing drain off water.
- (4) Beautiful appearance. High pressure resistance. Reliable working.



★ Parameters

Item No.	Orifice(mm)	Port Size	Pressure (bar)	Working Temp	Body Material	Seal
QXPSF	2.5	G1/2	0-8	-20°C~120°C	Aluminum	Viton