

**LXLC(R)-50~300(mm)
Removable element woltman cold (hot) water meter**

This type of water meter can be used for a remote reading transmission system as equipped with a built-in sensor.

**Application**

--Measuring the volume of cold (hot) water passing through the pipeline

Feature:

- Removable element structure, easy installation and maintenance, register for universal use within this range detachable without Removing the meter from the pipeline;
- Dry-dial, Magnetic drive sensitive action, small pressure loss;
- Vacuum sealed register ensures the dial keep free from fog and Keep the reading clear in a long term service;
- Selected high quality materials for steady & reliable characteristic;
- Technical data conform to international standard ISO 4064.

Working condition

Water temperature: 0.1°C ~40°C (0.1°C ~ 90°C for hot water meter)

Water pressure: ≤ 1Mpa (1.6MPa for special requirement)

Maximum permissible errors

- (1) in the lower zone from q_{\min} inclusive up to but excluding q_t is $\pm 5\%$
- (2) in the upper zone from q_t inclusive up to and including q_s is $\pm 2\%$ ($\pm 3\%$ for hot water meter)

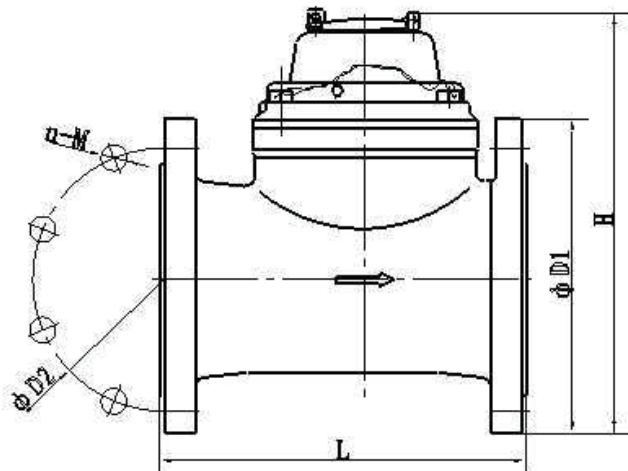
MAIN TECHNICAL SPECIFICATIONS

Type	Size (mm)	Class	q _s	q _p	q _t	q _{min}	Min. Reading	Max. Reading
			Overload Flow	Permanent Flow	Transitional Flow	Min. Flow		
			m ³ /h				m ³	
LXLC-50	50	A	30	15	4.5	1.2	0.0002	999,999
		B			3.0	0.45		
LXLC-65	65	A	50	25	7.5	2.0	0.0002	999,999
		B			5	0.75		
LXLC-80	80	A	80	40	12	3.2	0.002	999,999
		B			8.0	1.2		
LXLC-100	100	A	120	60	18	4.8	0.002	999,999
		B			12	1.8		
LXLC-125	125	A	200	100	30	8	0.002	999,999
		B			20	3		
LXLC-150	150	A	300	150	45	12	0.002	999,999
		B			30	4.5		
LXLC-200	200	A	500	250	75	20	0.002	999,999
		B			50	7.5		
LXLC-250	250	A	800	400	120	32	0.002	999,999
		B			80	12		
LXLC-300	300	A	1200	600	180	48	0.02	9,999,999
		B			120	18		

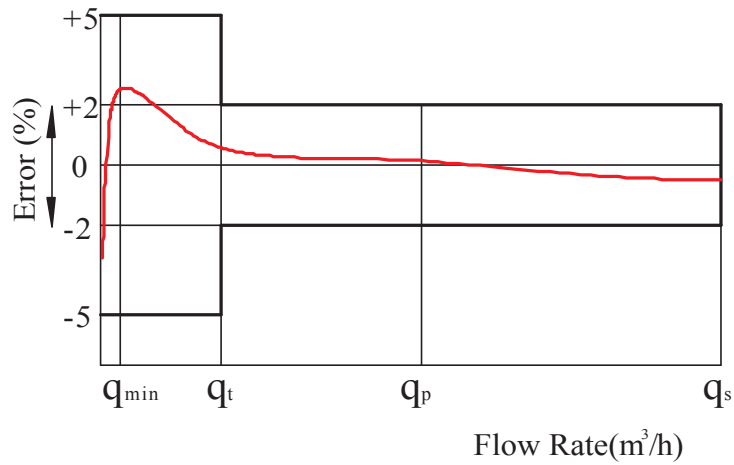
DIMENSIONS

Type	Size	L Length	H Height	Connecting flange		
				ϕ D1 Outside diameter	ϕ D2 Bolt circle diameter	Connecting Bolts (n-M)
		mm				
LXLC-50	50	200	261	165	125	4-M16
LXLC-65	65	200	271	185	145	4-M16
LXLC-80	80	225	279	200	160	8-M16
LXLC-100	100	250	289	220	180	8-M16
LXLC-125	125	250	299	250	210	8-M16
LXLC-150	150	300	319	285	240	8-M20
LXLC-200	200	350	346	340	295	8-M20(1.0MPa)
						12-M20(1.6MPa)
LXLC-250	250	400	434	395	350	12-M20(1.0MPa)
		450	434	405	355	12-M24(1.6MPa)
LXLC-300	300	450	459	445	400	12-M20(1.0MPa)
		500	459	460	410	12-M24(1.6MPa)

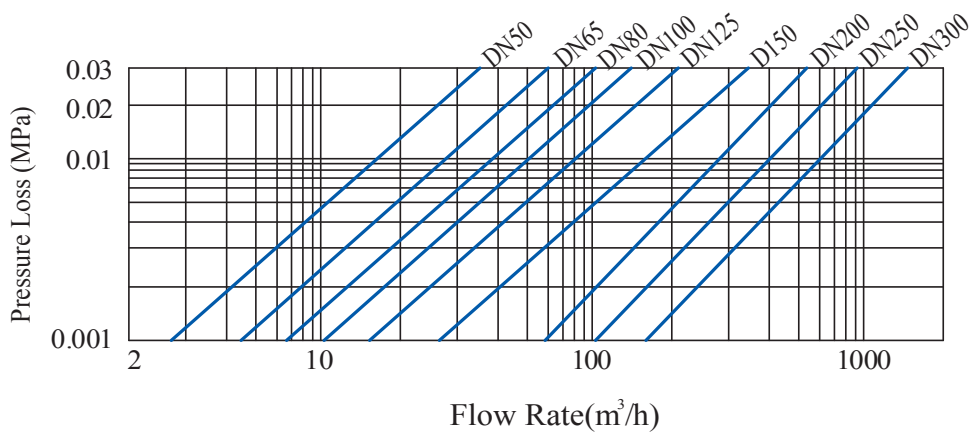
NOTE: The flange dimension conforms to ISO7005-2:1988 standard. Order for products of special requirements is also accepted.

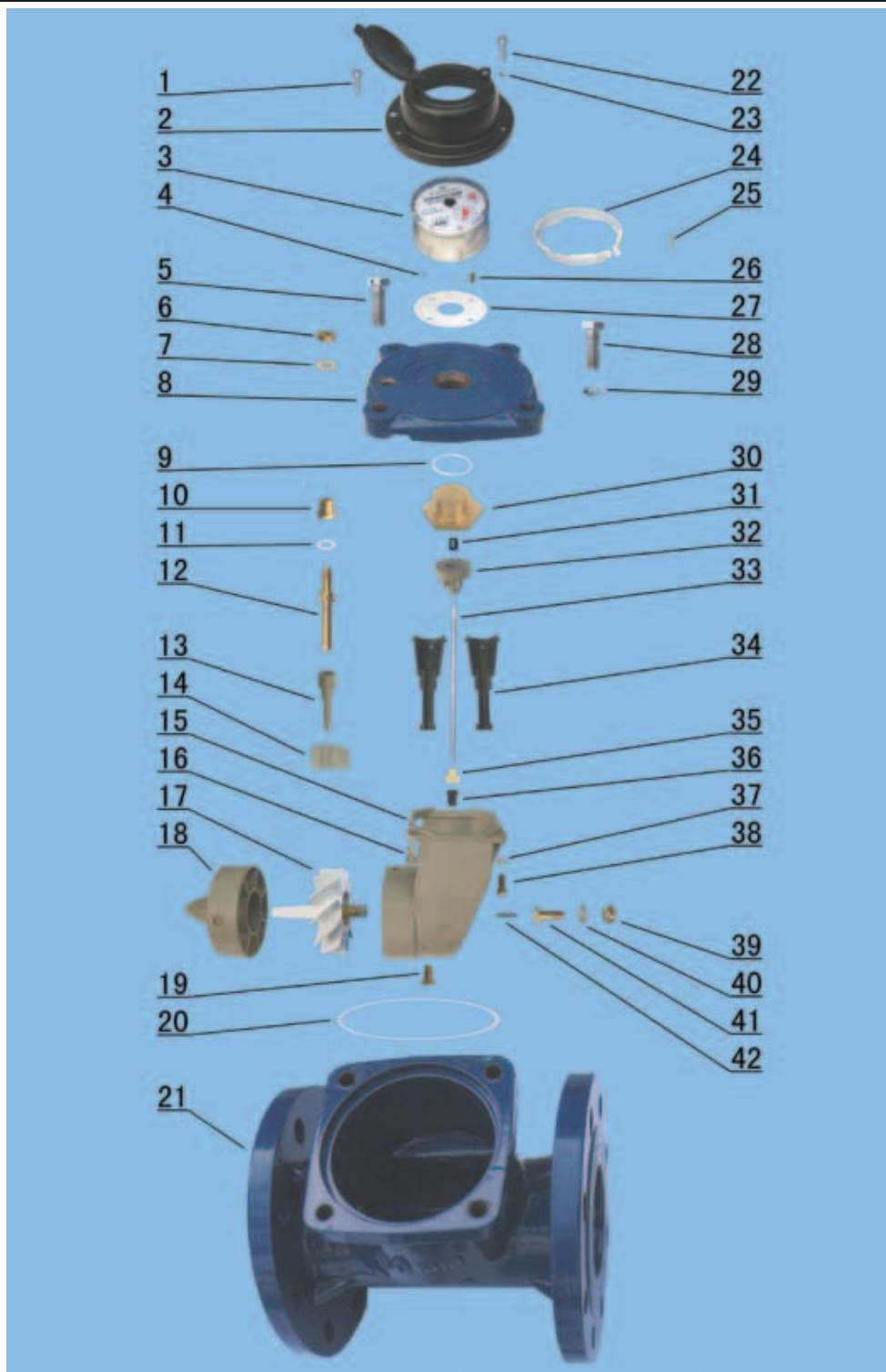


Flow Error Curve



Pressure Loss Curve





LXLC-50 ~ 300 REMOVABLE ELEMENT WOLTMAN WATER METER

Code	Description	Material	QTY
1	Screw For Sealing	Stainless Steel	2
2	Cover With Lid	Assembly	1
3	Sealed Register	Assembly	1
4	Position Pin	Stainless Steel	1
5	Lead Seal Bolt	Stainless Steel	2
6	Adjusting Nut	Brass	1
7	Gasket	Brass	1
8	Flange Cover	Cast Iron	1
9	O-ring	Silicon Rubber	1
10	Bush	Brass	1
11	Gasket	Synthetic Rubber	1
12	Adjusting Lever	Brass	1
13	Connecting Lever	MPPO	1
14	Adjusting Plate	MPPO	1
15	Support	MPPO	1
16	Bolt	Brass	1
17	Turbine Component	Assembly	1
18	Rectifier	MPPO	1
19	Screw	Brass	1
20	O-ring	Synthetic Rubber	1
21	Body	Cast Iron	1
22	Screw M4 × 20	Stainless Steel	2
23	Gasket	Stainless Steel	3
24	Retainer	ABS	1
25	Fixing pin	Brass	1
26	Screw	Brass	4
27	Support	ABS	1
28	Bolt M12 × 35	Stainless Steel	2
29	Gasket	Stainless Steel	4
30	Upper Bearing Plate	Brass	1
31	Upper Bearing	Nylon With Graphite	1
32	Magnet Component	Component	1
33	Transmission Shaft	Stainless Steel	1