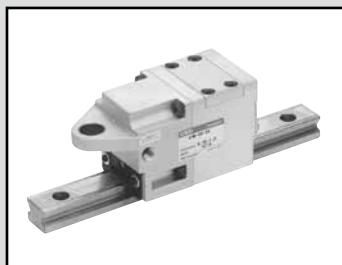


Linear guide lock

LMB Series



LCW
LCR
LCG
LCX
LCM
STM
STG
STS/STL
STR2
UCA2
ULK*
JSK/M2
JSG
JSC3/JSC4
USSD
UFCD
USC
JSB3
LMB
LML
HCM
HCA
LBC
CAC4
UCAC2
CAC-N
UCAC-N
RCC2
RCS
PCC
SHC
MCP
GLC
MFC
BBS
RRC
GRC
RV3*
NHS
HR
LN
Hand
Chuk
MecHnd/Chuk
ShkAbs
FJ
FK
SpdContr
Ending

Specifications

Descriptions	LMB-SR-15	LMB-SR-20	LMB-SR-25
Operating rails	SR-15/SSR-15 THK	SR-20/SSR-20 THK	SR-25/SSR-25 THK
Working fluid	Compressed air		
Max. working pressure MPa	1.0 (≈150 psi, 10 bar)		
Min. working pressure MPa	0.35 (≈51 psi, 3.5 bar)		
Proof pressure MPa	1.5 (≈220 psi, 15 bar)		
Ambient temperature °C	-5 (23°F) to 60°C (140°F) (no freezing)		
Lubrication	Not required (use turbine oil class 1 ISO VG32 if necessary for lubrication)		
Port size	Rc1/8		
Holding force N (*1)	1175	1960	2450
Sliding resistance value N Ref value (*2)	5.8 or less	9.8 or less	15.6 or less
Weight g	600	1100	1900

*1: The holding force is the force that can retain the static load without vibration or impact when the lock is ON in absence of load.

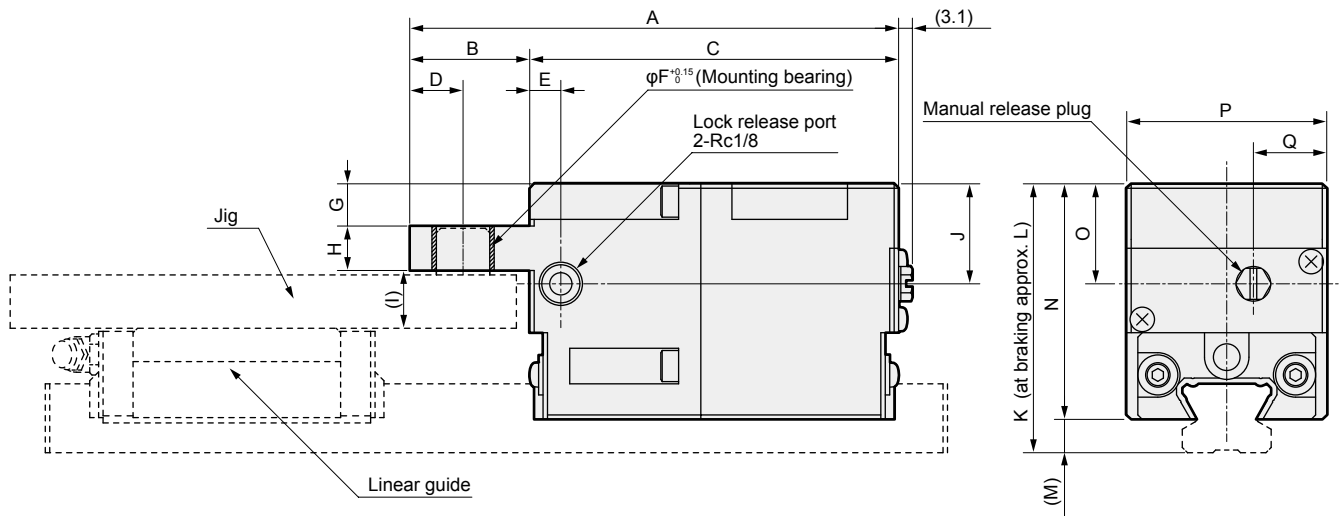
*2: Resistance value (reference value) when the product slides horizontally on a rail with Alvania grease No. 2 (Showa Shell Sekiyu K.K.) applied.

How to order

LMB-SR - 15

A Operating rail size

Code	Content
A	Operating rail size
15	SR-15/SSR-15
20	SR-20/SSR-20
25	SR-25/SSR-25



Model No.	A	B	C	D	E	F	G	H	I	J	K	L	M	N	O	P	Q
LMB-SR-15	100	24	76	10	7	10	7	8	8	16.5	47	47.5	6.5	40.5	17.5	35	13
LMB-SR-20	110	27	83	12	7	12	9.5	10	13	22.5	60.5	61	7.5	53	22.5	45	16.5
LMB-SR-25	125	32	93	13.5	7	15	13	10	17	27.5	73	73.5	9	64	27.5	55	19.5

Note: The rail and slide table dimensions are not shown since they are manufactured by THK.

- LCW
- LCR
- LCG
- LCX
- LCM
- STM
- STG
- STS/STL
- STR2
- UCA2
- ULK***
- JSK/M2
- JSG
- JSC3/JSC4
- USSD
- UFCD
- USC
- JSB3
- LMB**
- LML
- HCM
- HCA
- LBC
- CAC4
- UCAC2
- CAC-N
- UCAC-N
- RCC2
- RCS
- PCC
- SHC
- MCP
- GLC
- MFC
- BBS
- RRC
- GRC
- RV3*
- NHS
- HR
- LN
- Hand
- Chuk
- MecHnd/Chuk
- ShkAbs
- FJ
- FK
- SpdContr
- Ending