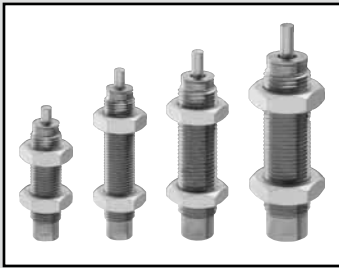


LCW  
LCR  
LCG  
LCX  
LCM  
STM  
STG  
STS/STL  
STR2  
UCA2  
ULK\*  
JSK/M2  
JSG  
JSC3/JSC4  
USSD  
UFCD  
USC  
JSB3  
LMB  
LML  
HCM  
HCA  
LBC  
CAC4  
UCAC2  
CAC-N  
UCAC-N  
RCC2  
RCS  
PCC  
SHC  
MCP  
GLC  
MFC  
BBS  
RRC  
GRC  
RV3\*  
NHS  
HR  
LN  
Hand  
Chuk  
MecHnd/Chuk  
ShkAbs  
FJ  
FK  
SpdContr  
Ending



Shock absorber

# SKL Series

- Max. energy absorption: 0.2 to 3.6J



## Specifications

| Descriptions                  |                 | SKL                      |          |          |          |     |
|-------------------------------|-----------------|--------------------------|----------|----------|----------|-----|
| Model No.                     |                 | SKL-0804                 | SKL-0805 | SKL-1006 | SKL-1208 |     |
| Max. energy absorption        | J               | 0.2                      | 0.5      | 1.2      | 3.6      |     |
| O.D. thread size              | mm              | M8×0.75                  |          | M10×1.0  | M12×1.0  |     |
| Stroke length                 | mm              | 3.5                      | 4.5      | 6        | 8        |     |
| Max. absorbed energy per hour | kJ/hr           | 0.9                      | 2.4      | 4.3      | 12.9     |     |
| Max. colliding speed          | m/s             | 1.0                      |          |          |          |     |
| Max. operating frequency      | Cycle/min.      | 80                       |          | 60       |          |     |
| Ambient temperature           | °C              | -10 (14°F) to 60 (140°F) |          |          |          |     |
| Max. allowable thrust         | N               | 40                       | 158      | 281      | 687      |     |
| Max. load (rated resistance)  | N               | 152                      | 277      | 484      | 1064     |     |
| Required mounting strength    | N               | 456                      | 831      | 1452     | 3192     |     |
| Return time                   | s               | 0.3 or less              |          |          |          |     |
| Weight                        | g               | 9                        | 12       | 20       | 40       |     |
| Return                        | When extended   | N                        | 3.3      | 3.3      | 2.3      | 3.4 |
|                               | When compressed | N                        | 4.6      | 4.6      | 4.2      | 5.9 |

Note: The speed and absorption capacity of the shock absorber vary depending on the ambient temperature.  
Values given in the above specifications are for room temperature.

## How to order

SKL - 08 05

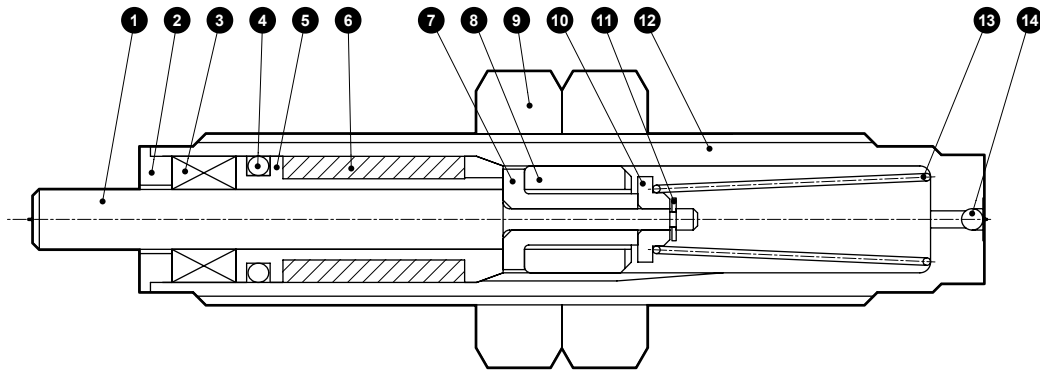
Model No.

A Thread size

B Stroke length

| Code                        | Content     |    |    |    |
|-----------------------------|-------------|----|----|----|
| <b>A Thread size</b>        |             |    |    |    |
| 08                          | M8×0.75     |    |    |    |
| 10                          | M10×1.0     |    |    |    |
| 12                          | M12×1.0     |    |    |    |
| <b>B Stroke length (mm)</b> |             |    |    |    |
|                             | Thread size | 08 | 10 | 12 |
| 04                          | 3.5 mm      | ●  |    |    |
| 05                          | 4.5 mm      | ●  |    |    |
| 06                          | 6 mm        |    | ●  |    |
| 08                          | 8 mm        |    |    | ●  |

### Internal structure and parts list

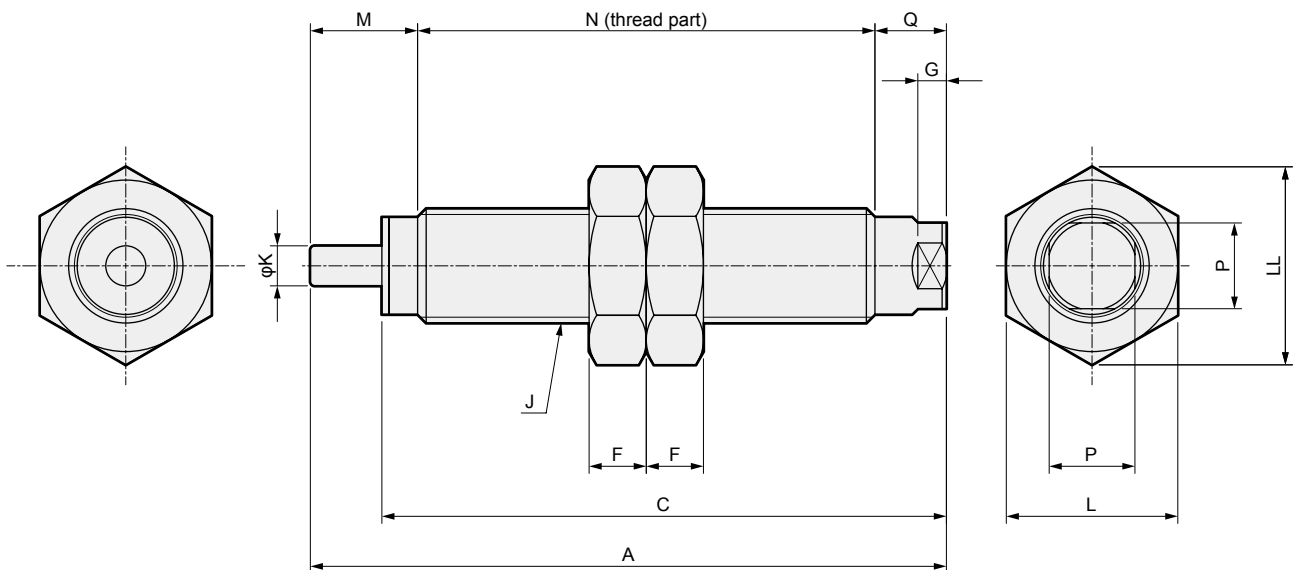


**Cannot be disassembled**

### Parts list

| No. | Part name   | Material               | Remarks                   | No. | Part name        | Material        | Remarks        |
|-----|-------------|------------------------|---------------------------|-----|------------------|-----------------|----------------|
| 1   | Piston rod  | Steel                  | Industrial chrome plating | 8   | Piston           | Cast iron       |                |
| 2   | Cover       | Stainless steel        |                           | 9   | Hexagon nut      | Steel           | Zinc plated    |
| 3   | Oil seal    | Special nitrile rubber |                           | 10  | Valve stopper    | Steel           |                |
| 4   | O-ring      | Nitrile rubber         |                           | 11  | E type snap ring | Stainless steel |                |
| 5   | Rod guide   | Aluminum alloy         |                           | 12  | Damper case      | Steel           | Nickel plating |
| 6   | Air chamber | Nitrile rubber         |                           | 13  | Spring           | Piano wire      |                |
| 7   | Valve       | Steel                  |                           | 14  | Steel ball       | Steel           |                |

### Dimensions



| Model No. | A    | C    | F | G | J       | K   | L  | LL   | M   | N  | P  | Q |
|-----------|------|------|---|---|---------|-----|----|------|-----|----|----|---|
| SKL-0804  | 34.5 | 30.5 | 4 | 2 | M8×0.75 | 2.8 | 12 | 13.9 | 6.5 | 23 | 6  | 5 |
| SKL-0805  | 44.5 | 39.5 | 4 | 2 | M8×0.75 | 2.8 | 12 | 13.9 | 7.5 | 32 | 6  | 5 |
| SKL-1006  | 49   | 42.5 | 4 | 2 | M10×1.0 | 3   | 14 | 16.2 | 9   | 34 | 8  | 6 |
| SKL-1208  | 56   | 47.5 | 5 | 2 | M12×1.0 | 3.5 | 17 | 19.6 | 12  | 37 | 10 | 7 |

- LCW
- LCR
- LCG
- LCX
- LCM
- STM
- STG
- STS/STL
- STR2
- UCA2
- ULK\*
- JSK/M2
- JSG
- JSC3/JSC4
- USSD
- UFCD
- USC
- JSB3
- LMB
- LML
- HCM
- HCA
- LBC
- CAC4
- UCAC2
- CAC-N
- UCAC-N
- RCC2
- RCS
- PCC
- SHC
- MCP
- GLC
- MFC
- BBS
- RRC
- GRC
- RV3\*
- NHS
- HR
- LN
- Hand
- Chuk
- MecHnd/Chuk
- ShkAbs
- FJ
- FK
- SpdContr
- Ending