

M Series	Applicable cylinder	FC* RV3* SRL3 SRG3 SRT3 UFCD
-----------------	---------------------	------------------------------



M*V



M*H

Specifications

Descriptions	Proximity 2-wire		Proximity 3-wire		
	M2V/M2H	M2WV (2-color display)	M3H/V (NPN output)	M3PH/V (PNP output)	M3WV (2-color display)
Applications	Dedicated for programmable controller		For programmable controller, relay, IC circuit, compact solenoid valve		
Output method	-		NPN output	PNP output	NPN output
Power supply voltage	-		4.5 to 28 VDC		10 to 28 VDC
Load voltage	10 to 30 VDC		30 VDC or less		
Load current	5 to 30 mA		100 mA or less		
Current consumption	-		10 mA or less with 24 VDC	12 mA or less with 24 VDC	15 mA or less with 24 VDC
Internal voltage drop	4 V or less		0.5 V or less		
Indicator lamp	Red LED (Lit when ON)	Red/green LED (Lit when ON)	Red LED (Lit when ON)	Yellow LED (Lit when ON)	Red/green LED (Lit when ON)
Leakage current	1 mA or less		10 µA or less	0.05 mA or less	10 µA or less
Lead wire length	1 m (oil resistant vinyl cabtyre cable 2-conductor 0.2 mm ²)		1 m (oil resistant vinyl cabtyre cable 3-conductor 0.15 mm ²)		
Shock resistance	980 m/s ²				
Insulation resistance	100 MΩ and over with 500 VDC megger				
Withstand voltage	No failure after 1 minute of 1,000 VAC application.				
Ambient temperature	-10 (14°F) to +60°C (140°F)				
Degree of protection	IEC Standard IP67, JIS C0920 (water-tight), oil resistance				
Weight	1 m:22 g 3 m:57 g 5 m:93 g		1 m:22 g 3 m:57 g 5 m:93 g		

Descriptions	Reed 2-wire			
	M0V/M0H		M5V/M5H	
Applications	For programmable controller, relay		For programmable controller, relay IC circuit (without indicator lamp), serial connection	
Power supply voltage	-			
Load voltage	12/24 VDC	110 VAC	5/12/24 VDC	110 VAC
Load current	5 to 50 mA	7 to 20 mA	50 mA or less	20 mA or less
Current consumption	-			
Internal voltage drop	3 V or less		0.1 V or less (*4)	
Indicator lamp	Red LED (Lit when ON)		Without indicator lamp	
Leakage current	0 mA			
Lead wire length	1 m (oil resistant vinyl cabtyre cable 2-conductor 0.2 mm ²)			
Shock resistance	294 m/s ²			
Insulation resistance	100 MΩ and over at 500 VDC megger			
Withstand voltage	No failure after 1 minute of 1,000 VAC application.			
Ambient temperature	-10 (14°F) to +60°C (140°F)			
Degree of protection	IEC Standard IP67, JIS C0920 (water-tight), oil resistance			
Contact protection circuit *5	None			
Weight	1 m:22 g 3 m:57 g 5 m:93 g			

*1: M*H is available for SRL3, SRG3, and SRT3.

*2: Refer to the pages of each cylinder model for switch model No. capable of installing on a cylinder.

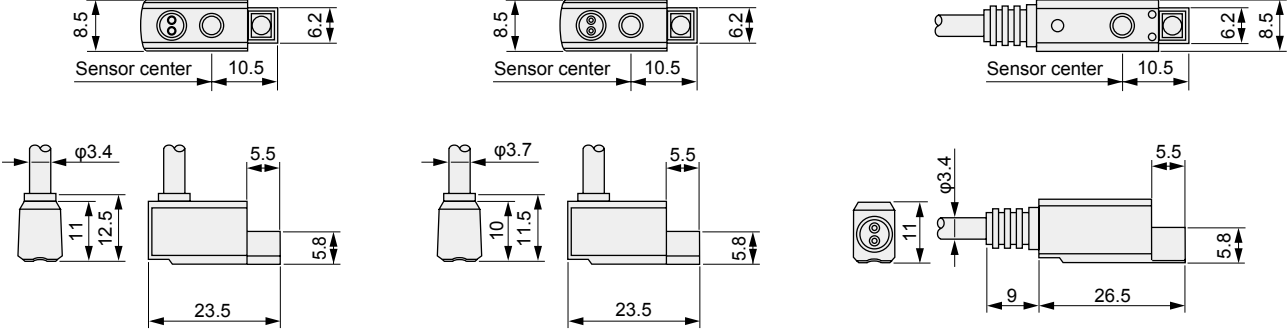
*3: Contact CKD separately for cylinder switch with connector.

*4: Internal resistance 0.5 Ω or less.

*5: Refer to Intro Page 80 for contact protective measures.

Dimensions

- M*V Series (radial lead wire)
- M*W Series (2-color display, radial lead wire)
- M*H Series (lead wire straight)



Switch internal circuit diagram

● M2V/M2H/M2WV	● M3V/M3H/M3WV	● M3PV/M3PH	● M0V/M0H
<div style="background-color: #0070C0; color: white; padding: 2px; margin-bottom: 5px;">● M5V/M5H</div>			

Cylinder switch