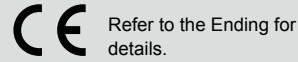




Internal pilot 3-port valve with solenoid valve

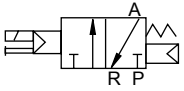
# NP13/NP14 Series

- NC, NO
- Port size: Rc3/8 to Rc2

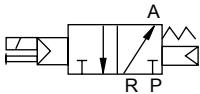


## JIS symbol

● NC



● NO



## Common specifications

Descriptions	NP13	NP14
Actuation	NC	NO
Fluid pressure supply port	P port	R port
Working fluid	Compressed air	
Proof pressure MPa	1.2 (≈170 psi, 12 bar)	
Working pressure MPa	0.2 (≈29 psi, 2 bar) to 0.8 (≈120 psi, 8 bar)	
Fluid temperature °C	5 (41°F) to 60 (140°F)	
Ambient temperature °C	10A to 25A: -5 (23°F) to 60 (140°F) and 32A to 50A: -5 (23°F) to 40 (104°F) for both NP13/NP14	
Thermal class	Class 130 (B)	
Lubrication	No lubrication (use the turbine oil Class 1 ISO VG32 for lubrication. )	
Valve seat leakage cm <sup>3</sup> /min	1 or less (at pneumatic pressure 0.2 to 0.8 MPa)	
Valve structure	Internal pilot balance poppet structure	
Mounting orientation	Unrestricted	

## Individual specifications

Descriptions Model No.	Port size		Orifice size (mm)	Response time (ms)	Rated voltage	Apparent power (VA)				Power consumption (W)		Weight (kg)
	P, A port	R port				When holding		When starting		AC 50/60 Hz	DC	
						50 Hz	60 Hz	50 Hz	60 Hz			
NC (P port pressurization)												
NP13-10A	Rc3/8	Rc1/2	14.8 or equiv.	30 or less (*1)	100, 200 VAC (50/60 Hz)	3.9	3.1	9.2	7.2	2.0/1.7	4	0.7
NP13-15A	Rc1/2											0.7
NP13-20A	Rc3/4	Rc1	25.4 or equiv.	60 or less (*1)	110, 220 VAC (60 Hz)	15	11	40	35	7.5/6.0	8	1.5
NP13-25A	Rc1											1.5
NP13-32A	Rc1 <sup>1/4</sup>	Rc2	41.4 or equiv.	120 or less (*1)	24 VDC	15	11	40	35	7.5/6.0	8	4.5
NP13-40A	Rc1 <sup>1/2</sup>											4.5
NP13-50A	Rc2											4.4
NO (R port pressurization)												
NP14-10A	Rc3/8	Rc1/2	14.8 or equiv.	30 or less (*1)	100, 200 VAC (50/60 Hz)	3.9	3.1	9.2	7.2	2.0/1.7	4	0.7
NP14-15A	Rc1/2											0.7
NP14-20A	Rc3/4	Rc1	25.4 or equiv.	60 or less (*1)	110, 220 VAC (60 Hz)	15	11	40	35	7.5/6.0	8	1.5
NP14-25A	Rc1											1.5
NP14-32A	Rc1 <sup>1/4</sup>	Rc2	41.4 or equiv.	120 or less (*1)	24 VDC	15	11	40	35	7.5/6.0	8	4.5
NP14-40A	Rc1 <sup>1/2</sup>											4.5
NP14-50A	Rc2											4.4

\*1 : The response time is the value at 0.5 MPa supply pressure, with no lubrication, and with the power ON.  
It depends on the pressure and the lubricant quality.

\*2 : Use the product within ±10% of the rated voltage.

### Flow characteristics

Model No.	P→A				A→R			
	C[dm <sup>3</sup> /(s·bar)]	b	Cv	S(mm <sup>2</sup> )	C[dm <sup>3</sup> /(s·bar)]	b	Cv	S(mm <sup>2</sup> )
NC (P port pressurization)								
NP13-10A	15	0.31	3.4	-	16	0.28	3.4	-
NP13-15A	18	0.29	3.6	-	17	0.26	3.6	-
NP13-20A	35	0.27	8.4	-	41	0.21	8.6	-
NP13-25A	-	-	8.6	200	-	-	9.0	210
NP13-32A	-	-	25.8	600	-	-	26.2	610
NP13-40A	-	-	27.0	630	-	-	26.6	620
NP13-50A	-	-	28.2	660	-	-	27.0	630
Model No.	R→A				A→P			
	C[dm <sup>3</sup> /(s·bar)]	b	Cv	S(mm <sup>2</sup> )	C[dm <sup>3</sup> /(s·bar)]	b	Cv	S(mm <sup>2</sup> )
NO (R port pressurization)								
NP14-10A	15	0.31	3.4	-	15	0.33	3.4	-
NP14-15A	17	0.30	3.6	-	18	0.31	3.6	-
NP14-20A	41	0.21	8.6	-	35	0.27	8.4	-
NP14-25A	-	-	9.0	210	-	-	8.6	200
NP14-32A	-	-	26.2	610	-	-	25.8	600
NP14-40A	-	-	26.6	620	-	-	27.0	630
NP14-50A	-	-	27.0	630	-	-	28.2	660

\*1 : Effective cross-sectional area S and sonic conductance C are converted as  $S \approx 5.0 \times C$ .

4GA/B
M4GA/B
MN4GA/B
4GA/B (mastr)
4GD/E
M4GD/E
MN4GD/E
4GA4/B4
MN3E MN4E
W4GA/B2
W4GB4
4TB
4L2-4/ LMF0
MN3S0 MN4S0
4SA/B0
4KA/B
4KA/B (mastr)
4F
4F (mastr)
PV5G GMF
PV5 GMF
PV5S-0
3QR 3QB
MV3QR
3MA/B0
3PA/B
P/M/B
NP/NAP/ NVP
4F*0EX
4F*0E
HMV HSV
2QV 3QV
SKH
PCD
Silencer
TotAirSys (Total Air)
TotAirSys (Gamma)
Ending

# NP13/NP14 Series

## How to order

**NP1 3 - 15A - 1 2G S - 1**

Model No.

**A** Actuation

**B** Port size

**C** Body/sealant combination

**D** Coil housing

\*1

**E** Other options

\*2

**F** Rated voltage

### ⚠ Precautions for model No. selection

\*1 : Pg thread of the DIN terminal box is Pg9 for port size 10A to 25A, and Pg11 for 32A to 50A.

\*2 : When selecting the grommet coil, the optional surge suppressor is attached (port size 10A to 25A) or incorporated (port size 32A to 50A). When selecting the coil with a terminal box, it is mounted in the terminal box.

\*3 : Manual override (non-locking) is provided as standard.

[Example of model No.]

**NP13-15A-12GS-1**

Model: NP

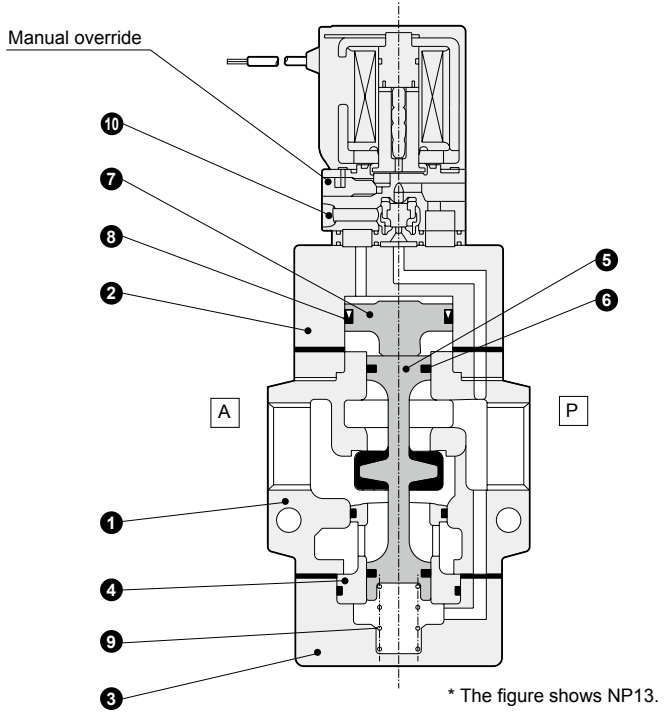
- A** Actuation : NC
- B** Port size : Rc1/2
- C** Body/sealant combination : Body/aluminum, sealant/nitrile rubber
- D** Coil housing : With DIN terminal box
- E** Other options : With surge suppressor
- F** Voltage : 100 VAC(50/60 Hz), 110 VAC(60 Hz)

Code	Content	
<b>A Actuation</b>		
<b>3</b>	NC	
<b>4</b>	NO	
<b>B Port size</b>		
<b>10A</b>	Rc3/8	
<b>15A</b>	Rc1/2	
<b>20A</b>	Rc3/4	
<b>25A</b>	Rc1	
<b>32A</b>	Rc1 1/4	
<b>40A</b>	Rc1 1/2	
<b>50A</b>	Rc2	
<b>C Body/sealant combination</b>		
	Body	Sealant
<b>1</b>	Aluminum	Nitrile rubber
<b>D Coil housing</b>		
<b>2C</b>	Std.	Grommet coil
<b>2G</b>	Option	DIN terminal box (Pg thread)
<b>2H</b>		DIN terminal box with lamp (Pg thread)
<b>3T</b>		With T type terminal box (G1/2)
<b>3R</b>		T type terminal box with lamp (G1/2)
<b>E Other options</b>		
<b>Blank</b>	No option	
<b>S</b>	With surge suppressor	
<b>F Rated voltage</b>		
<b>1</b>	Standard	100 VAC(50/60 Hz), 110 VAC(60 Hz)
<b>2</b>		200 VAC(50/60 Hz), 220 VAC(60 Hz)
<b>3</b>		24 VDC
<b>AC110V</b>	Custom	110 VAC(50/60 Hz)
<b>AC220V</b>		220 VAC(50/60 Hz)

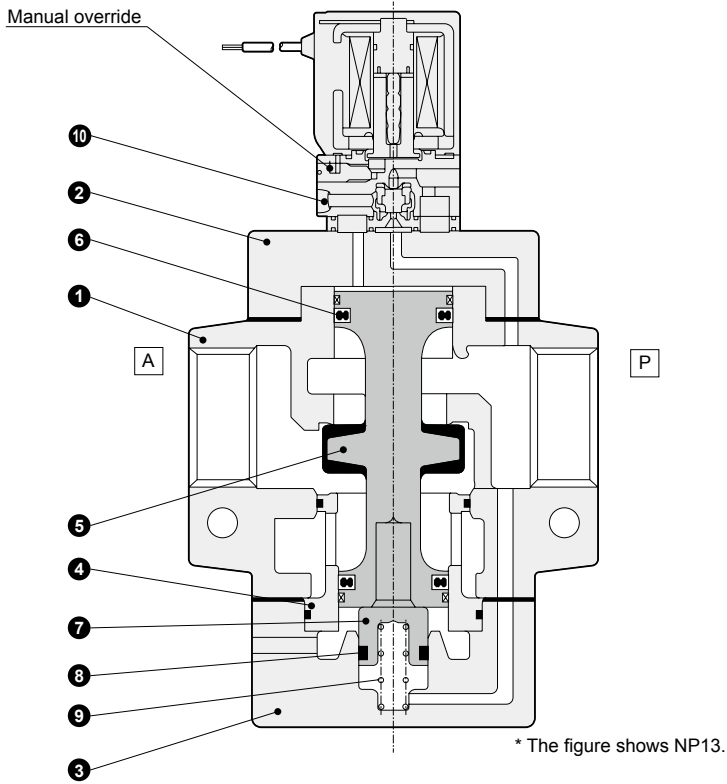
- 4GA/B
- M4GA/B
- MN4GA/B
- 4GA/B (mastr)
- 4GD/E
- M4GD/E
- MN4GD/E
- 4GA4/B4
- MN3E
- MN4E
- W4GA/B2
- W4GB4
- 4TB
- 4L2-4/LMF0
- MN3S0
- MN4S0
- 4SA/B0
- 4KA/B
- 4KA/B (mastr)
- 4F
- 4F (mastr)
- PV5G
- GMF
- PV5
- GMF
- PV5S-0
- 3QR
- 3QB
- MV3QR
- 3MA/B0
- 3PA/B
- P/M/B
- NP/NAP/NVP
- 4F\*0EX
- 4F\*0E
- HMV
- HSV
- 2QV
- 3QV
- SKH
- PCD
- Silencer
- TotAirSys (Total Air)
- TotAirSys (Gamma)
- Ending

Internal structure and parts list

● NP<sup>13</sup>/<sub>14</sub>-10A/15A



● NP<sup>13</sup>/<sub>14</sub>-20A to 50A



No.	Part name	Material
1	Body	AC4C Aluminum casting
2	Body	AC4C Aluminum casting
3	Cap	AC4C Aluminum casting
4	Valve seat	C3604 Copper alloy
5	Valve stem	NBR, A2017 Nitrile rubber, aluminum

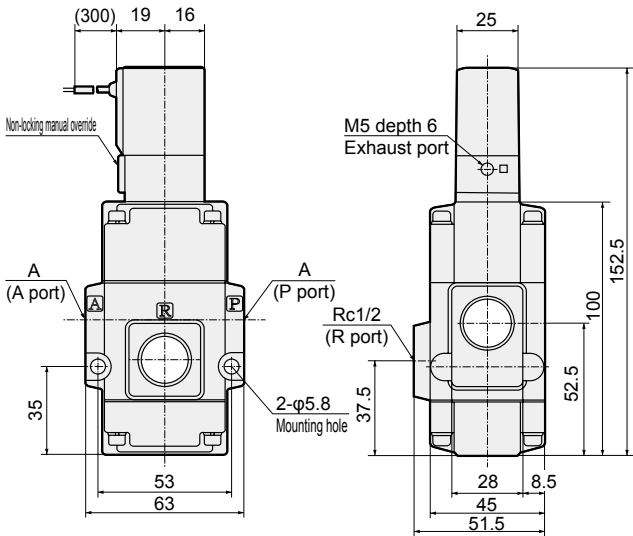
No.	Part name	Material
6	Packing	NBR Nitrile rubber
7	Piston	POM Acetal resin
8	MY packing	NBR Nitrile rubber
9	Spring	SUS304 Stainless steel
10	Pilot solenoid valve	-

4GA/B
M4GA/B
MN4GA/B
4GA/B (mastr)
4GD/E
M4GD/E
MN4GD/E
4GA4/B4
MN3E MN4E
W4GA/B2
W4GB4
4TB
4L2-4/ LMF0
MN3S0 MN4S0
4SA/B0
4KA/B
4KA/B (mastr)
4F
4F (mastr)
PV5G GMF
PV5 GMF
PV5S-0
3QR 3QB
MV3QR
3MA/B0
3PA/B
P/M/B
NP/NAP/ NVP
4F*0EX
4F*0E
HMV HSV
2QV 3QV
SKH
PCD
Silencer
TotAirSys (Total Air)
TotAirSys (Gamma)
Ending

# NP13/NP14 Series

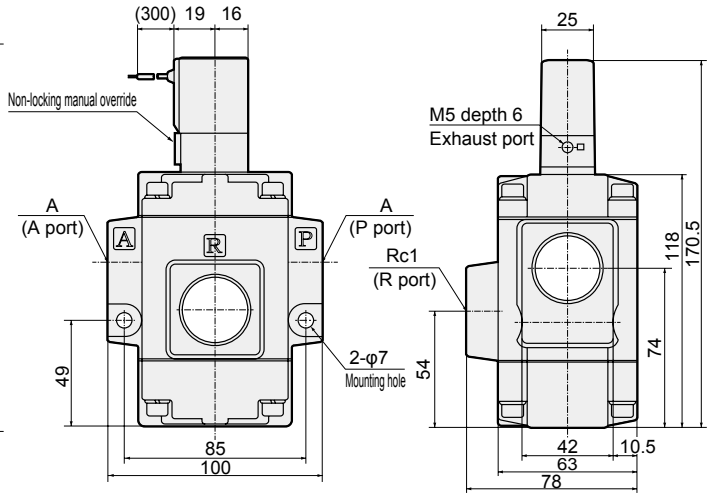
## Dimensions

● Grommet coil  
**NP<sub>13</sub><sup>14</sup>-10A/15A-12C**



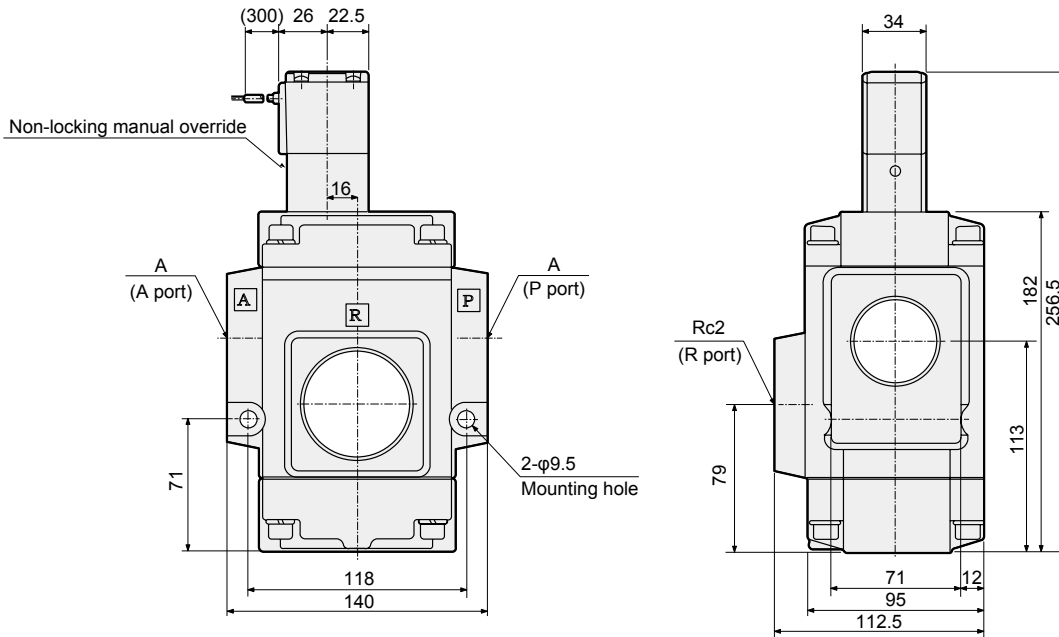
Model No.	A
NP1*-10A-1**	Rc3/8
NP1*-15A-1**	Rc1/2

● Grommet coil  
**NP<sub>13</sub><sup>14</sup>-20A/25A-12C**



Model No.	A
NP1*-20A-1**	Rc3/4
NP1*-25A-1**	Rc1

● Grommet coil  
**NP<sub>13</sub><sup>14</sup>-32A/40A/50A-12C**



Model No.	A
NP1*-32A-1**	Rc1 1/4
NP1*-40A-1**	Rc1 1/2
NP1*-50A-1**	Rc2

# NP13/NP14 Series

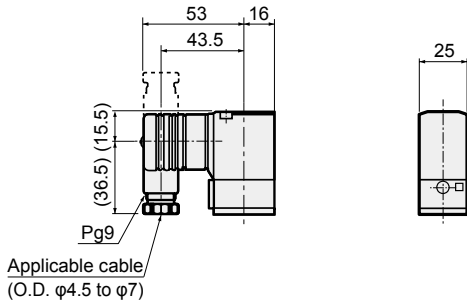
Solenoid valve (NC/NO)

## Optional dimensions



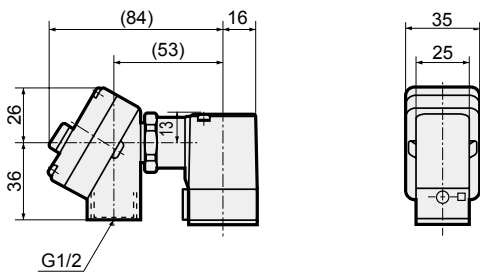
- With DIN terminal box (Pg9)

**NP<sup>13</sup><sub>14</sub>-10A/15A/20A/25A-1** **2G**  
**2H**



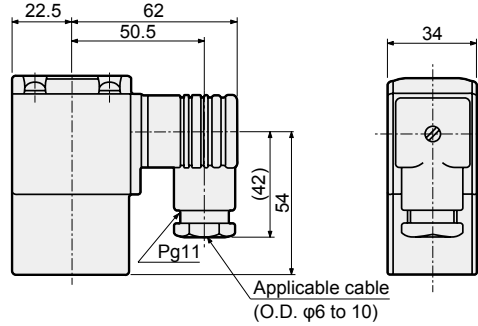
- With T type terminal box (G1/2)

**NP<sup>13</sup><sub>14</sub>-10A/15A/20A/25A-1** **3T**  
**3R**



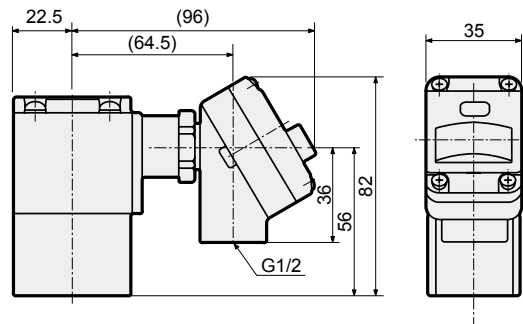
- With DIN terminal box (Pg11)

**NP<sup>13</sup><sub>14</sub>-32A/40A/50A-1** **2G**  
**2H**



- With T type terminal box (G1/2)

**NP<sup>13</sup><sub>14</sub>-32A/40A/50A-1** **3T**  
**3R**



4GA/B
M4GA/B
MN4GA/B
4GA/B (mastr)
4GD/E
M4GD/E
MN4GD/E
4GA4/B4
MN3E
MN4E
W4GA/B2
W4GB4
4TB
4L2-4/LMF0
MN3S0
MN4S0
4SA/B0
4KA/B
4KA/B (mastr)
4F
4F (mastr)
PV5G
GMF
PV5
GMF
PV5S-0
3QR
3QB
MV3QR
3MA/B0
3PA/B
P/M/B
NP/NAP/NVP
4F*0EX
4F*0E
HMV
HSV
2QV
3QV
SKH
PCD
Silencer
TotAirSys (Total Air)
TotAirSys (Gamma)
Ending



Air operated 3-port valve

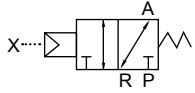
# NAP11 Series

- Universal
- Port size: Rc3/8 to Rc2



## JIS symbol

- Universal



## Common specifications

1 MPa = 10 bar

Item	NAP11	
Actuation	Universal	
Working fluid	Compressed air, low vacuum	
Proof pressure MPa	1.2 (≈170 psi, 12 bar)	
Working pressure MPa	0 (≈0 psi) to 0.8 (≈120 psi) (1.3 x 10 <sup>2</sup> to 8 x 10 <sup>5</sup> Pa (abs) when used in vacuum)	
Fluid temperature °C	5 (41°F) to 60 (140°F)	
Ambient temperature °C	-5 (23°F) to 60 (140°F)	
Lubrication	No lubrication (use turbine oil Class 1 ISO VG32 for lubrication)	
Valve seat leakage cm <sup>3</sup> /min	1 or less (at pneumatic pressure 0.02 (≈2.9 psi) to 0.8 MPa (≈120 psi))	
Valve structure	External pilot balance poppet structure	
Mounting orientation	Unrestricted	
Pilot fluid	Air	
Pilot pressure MPa	0.35 (≈51 psi, 3.5 bar) to 0.7 (≈100 psi, 7 bar)	
Pilot port size (port X)	Rc1/8	

## Individual specifications

Item Model No.	Port size		Orifice size (mm)	Response time (ms)	Weight (kg)
	P, A port	R port			
NAP11-10A	Rc3/8	Rc1/2	14.8 or equiv.	30 or less (*1)	0.6
NAP11-15A	Rc1/2				
NAP11-20A	Rc3/4	Rc1	25.4 or equiv.	60 or less (*1)	1.4
NAP11-25A	Rc1				
NAP11-32A	Rc1 1/4	Rc2	41.4 or equiv.	120 or less (*1)	4.2
NAP11-40A	Rc1 1/2				
NAP11-50A	Rc2				

\*1: The response time is the value at 0.5 MPa supply pressure, with no lubrication, and with the power ON. It depends on the pressure and the lubricant quality.

## Flow characteristics

Model No.	P→A				A→R			
	C[dm <sup>3</sup> /(s·bar)]	b	Cv	S(mm <sup>2</sup> )	C[dm <sup>3</sup> /(s·bar)]	b	Cv	S(mm <sup>2</sup> )
NAP11-10A	15	0.31	3.4	-	16	0.28	3.4	-
NAP11-15A	18	0.29	3.6	-	17	0.26	3.6	-
NAP11-20A	35	0.27	8.4	-	41	0.21	8.6	-
NAP11-25A	-	-	8.6	200	-	-	9.0	210
NAP11-32A	-	-	25.8	600	-	-	26.2	610
NAP11-40A	-	-	27.0	630	-	-	26.6	620
NAP11-50A	-	-	28.2	660	-	-	27.0	630

\*1: Effective cross-sectional area S and sonic conductance C are converted as S ≈ 5.0 x C.

- 4GA/B
- M4GA/B
- MN4GA/B
- 4GA/B (mastr)
- 4GD/E
- M4GD/E
- MN4GD/E
- 4GA4/B4
- MN3E  
MN4E
- W4GA/B2
- W4GB4
- 4TB
- 4L2-4/  
LMF0
- MN3S0  
MN4S0
- 4SA/B0
- 4KA/B
- 4KA/B (mastr)
- 4F
- 4F (mastr)
- PV5G  
GMF
- PV5  
GMF
- PV5S-0
- 3QR  
3QB
- MV3QR
- 3MA/B0
- 3PA/B
- P/M/B
- NP/NAP/  
NVP
- 4F\*0EX
- 4F\*0E
- HMV  
HSV
- 2QV  
3QV
- SKH
- PCD
- Silencer
- TotAirSys  
(Total Air)
- TotAirSys  
(Gamma)
- Ending

### How to order

**NAP11-15A-1**

Model No.

**A** Actuation

**B** Port size

**C** Body/sealant combination

[Example of model No.]

**NAP11-15A-1**

Model: NAP

- A** Actuation : Universal
- B** Port size : Rc1/2
- C** Body/sealant combination : Body/aluminum, sealant/nitrile rubber

Code	Content	
<b>A Actuation</b>		
1	Universal	
<b>B Port size</b>		
10A	Rc3/8	
15A	Rc1/2	
20A	Rc3/4	
25A	Rc1	
32A	Rc1 1/4	
40A	Rc1 1/2	
50A	Rc2	
<b>C Body/sealant combination</b>		
	Body	Sealant
1	Aluminum	Nitrile rubber

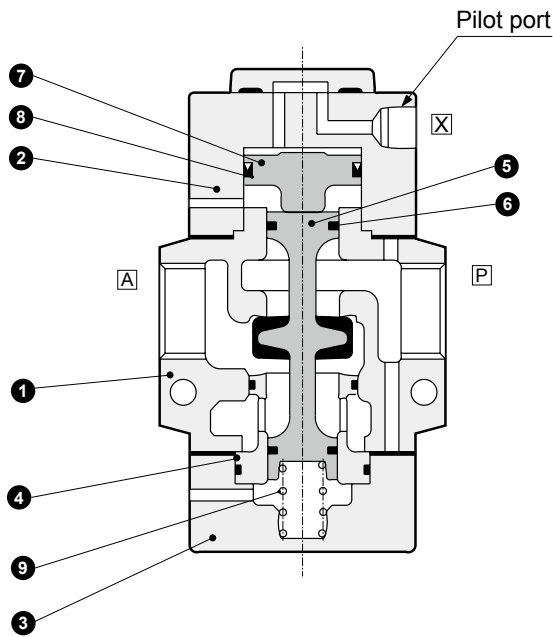
4GA/B
M4GA/B
MN4GA/B
4GA/B (mastr)
4GD/E
M4GD/E
MN4GD/E
4GA4/B4
MN3E MN4E
W4GA/B2
W4GB4
4TB
4L2-4/ LMF0
MN3S0 MN4S0
4SA/B0
4KA/B
4KA/B (mastr)
4F
4F (mastr)
PV5G GMF
PV5 GMF
PV5S-0
3QR 3QB
MV3QR
3MA/B0
3PA/B
P/M/B
NP/NAP/ NVP
4F*0EX
4F*0E
HMV HSV
2QV 3QV
SKH
PCD
Silencer
TotAirSys (Total Air)
TotAirSys (Gamma)
Ending



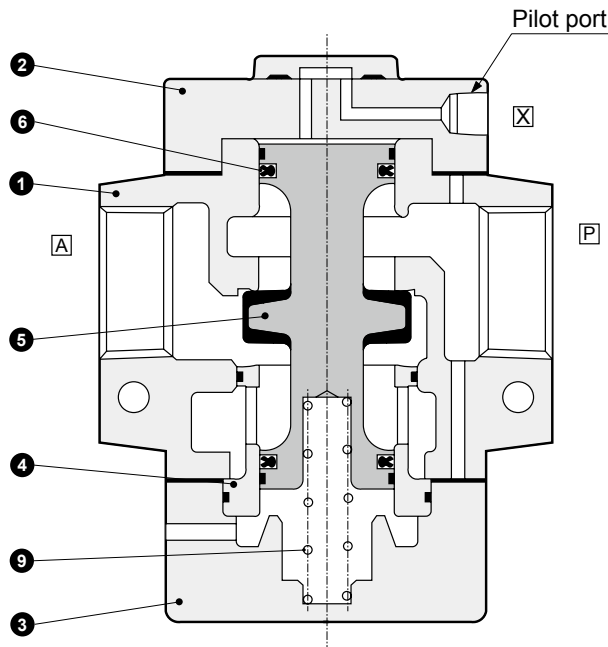
# NAP11 Series

## Internal structure and parts list

### ● NAP11-10A/15A



### ● NAP11-20A/25A/32A/40A/50A

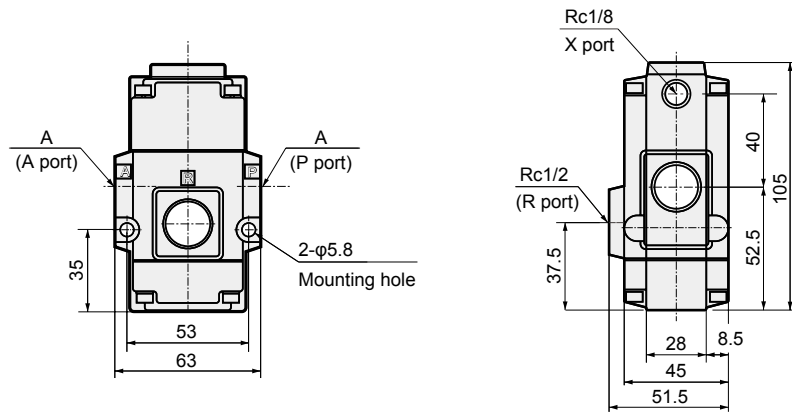


No.	Part name	Material	No.	Part name	Material
1	Body	AC4C Aluminum casting	6	Packing	NBR Nitrile rubber
2	Body	AC4C Aluminum casting	7	Piston	POM Acetal resin
3	Cap	AC4C Aluminum casting	8	MY packing	NBR Nitrile rubber
4	Valve seat	C3604 Copper alloy	9	Spring	SWP Piano wire
5	Valve stem	NBR, A2017 Nitrile rubber, aluminum			

- 4GA/B
- M4GA/B
- MN4GA/B
- 4GA/B (mastr)
- 4GD/E
- M4GD/E
- MN4GD/E
- 4GA4/B4
- MN3E  
MN4E
- W4GA/B2
- W4GB4
- 4TB
- 4L2-4/  
LMF0
- MN3S0  
MN4S0
- 4SA/B0
- 4KA/B
- 4KA/B (mastr)
- 4F
- 4F (mastr)
- PV5G  
GMF
- PV5  
GMF
- PV5S-0
- 3QR  
3QB
- MV3QR
- 3MA/B0
- 3PA/B
- P/M/B
- NP/NAP/  
NVP
- 4F\*0EX
- 4F\*0E
- HMV  
HSV
- 2QV  
3QV
- SKH
- PCD
- Silencer
- TotAirSys  
(Total Air)
- TotAirSys  
(Gamma)
- Ending

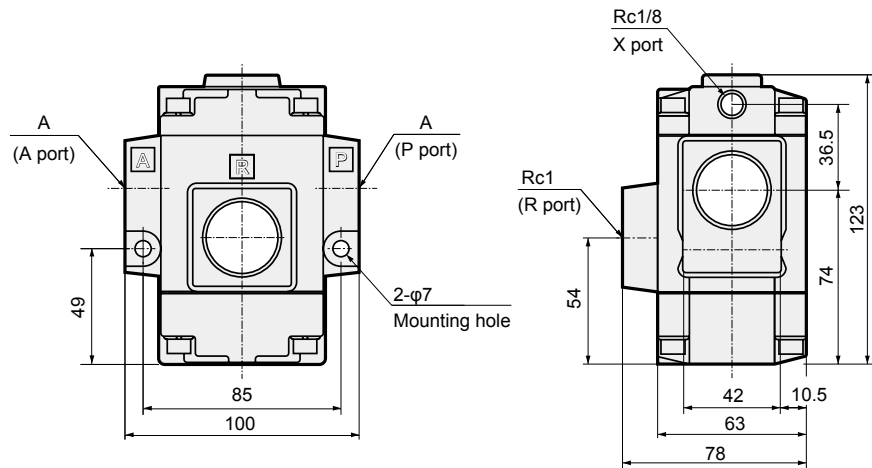
### Dimensions

● NAP11-10A/15A-1



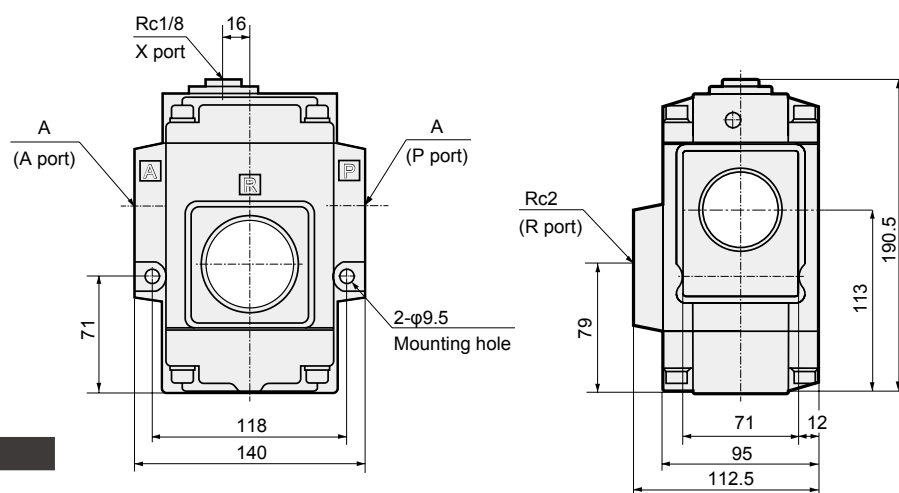
Model No.	A
NAP11-10A-1	Rc3/8
NAP11-15A-1	Rc1/2

● NAP11-20A/25A-1



Model No.	A
NAP11-20A-1	Rc3/4
NAP11-25A-1	Rc1

● NAP11-32A/40A/50A-1



Model No.	A
NAP11-32A-1	Rc1 1/4
NAP11-40A-1	Rc1 1/2
NAP11-50A-1	Rc2

4GA/B
M4GA/B
MN4GA/B
4GA/B (mastr)
4GD/E
M4GD/E
MN4GD/E
4GA4/B4
MN3E MN4E
W4GA/B2
W4GB4
4TB
4L2-4/ LMF0
MN3S0 MN4S0
4SA/B0
4KA/B
4KA/B (mastr)
4F
4F (mastr)
PV5G GMF
PV5 GMF
PV5S-0
3QR 3QB
MV3QR
3MA/B0
3PA/B
P/M/B
NP/NAP/ NVP
4F*0EX
4F*0E
HMV HSV
2QV 3QV
SKH
PCD
Silencer
TotAirSys (Total Air)
TotAirSys (Gamma)
Ending



Air operated 3-port valve with solenoid valve

# NVP11 Series

- Universal
- Port size: Rc3/8 to Rc2

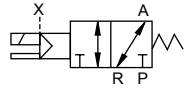


Refer to the Ending for details.



## JIS symbol

- Universal



## Common specifications

1 MPa = 10 bar

Descriptions	NVP11
Actuation	Universal
Working fluid	Compressed air, low vacuum
Proof pressure MPa	1.2 (≈170 psi, 12 bar)
Working pressure MPa	0 (≈0 psi) to 0.8 (≈120 psi) (1.3 x 10 <sup>2</sup> to 8 x 10 <sup>5</sup> Pa (abs) when used in vacuum)
Fluid temperature °C	5 (41°F) to 60 (140°F)
Ambient temperature °C	10A to 25A: -5 (23°F) to 60 (140°F) and 32A to 50A: -5 (23°F) to 40 (104°F)
Thermal class	Class 130 (B)
Lubrication	No lubrication (use turbine oil Class 1 ISO VG32 for lubrication)
Valve seat leakage cm <sup>3</sup> /min	1 or less (at pneumatic pressure 0.02 (≈2.9 psi) to 0.8 MPa (≈120 psi))
Valve structure	External pilot balance poppet structure
Mounting orientation	Unrestricted
Pilot fluid	Air
Pilot pressure MPa	0.35 (≈51 psi, 3.5 bar) to 0.7 (≈100 psi, 7 bar)
Pilot port size (port X)	Rc1/8

## Individual specifications

Descriptions Model No.	Port size		Orifice size (mm)	Response time (ms)	Rated voltage	Apparent power (VA)				Power consumption (W)		Weight (kg)
	P, A port	R port				When holding		When starting		AC 50/60 Hz	DC	
						50 Hz	60 Hz	50 Hz	60 Hz			
NVP11-10A	Rc3/8	Rc1/2	14.8 or equiv.	30 or less (*1)	100, 200 VAC (50/60 Hz)	3.9	3.1	9.2	7.2	2.0/1.7	4	0.7
NVP11-15A	Rc1/2											0.7
NVP11-20A	Rc3/4	Rc 1	25.4 or equiv.	60 or less (*1)	110, 220 VAC (60 Hz)	15	11	40	35	7.5/6.0	8	1.5
NVP11-25A	Rc 1											1.5
NVP11-32A	Rc1 1/4	Rc 2	41.4 or equiv.	120 or less (*1)	24 VDC	15	11	40	35	7.5/6.0	8	4.5
NVP11-40A	Rc1 1/2											4.5
NVP11-50A	Rc 2											4.4

\*1 : The response time is the value at 0.5 MPa supply pressure, with no lubrication, and with the power ON.  
It depends on the pressure and the lubricant quality.

\*2 : Use the product within ±10% of the rated voltage.

## Flow characteristics

Model No.	P→A				A→R			
	C[dm <sup>3</sup> /(s·bar)]	b	Cv	S(mm <sup>2</sup> )	C[dm <sup>3</sup> /(s·bar)]	b	Cv	S(mm <sup>2</sup> )
NVP11-10A	15	0.31	3.4	-	16	0.28	3.4	-
NVP11-15A	18	0.29	3.6	-	17	0.26	3.6	-
NVP11-20A	35	0.27	8.4	-	41	0.21	8.6	-
NVP11-25A	-	-	8.6	200	-	-	9.0	210
NVP11-32A	-	-	25.8	600	-	-	26.2	610
NVP11-40A	-	-	27.0	630	-	-	26.6	620
NVP11-50A	-	-	28.2	660	-	-	27.0	630

\*1 : Effective cross-sectional area S and sonic conductance C are converted as S ≈ 5.0 x C.

### How to order

**NVP11-15A-12GS-1**

Model No.

**A** Actuation

**B** Port size

**C** Body/sealant combination

**D** Coil housing

\*1

**E** Other options

\*2

**F** Rated voltage

Code	Content	
<b>A Actuation</b>		
1	Universal	
<b>B Port size</b>		
10A	Rc3/8	
15A	Rc1/2	
20A	Rc3/4	
25A	Rc1	
32A	Rc1 1/4	
40A	Rc1 1/2	
50A	Rc2	
<b>C Body/sealant combination</b>		
	Body	Sealant
1	Aluminum	Nitrile rubber
<b>D Coil housing</b>		
2C	Std.	Grommet coil
2G	Option	DIN terminal box (Pg thread)
2H		DIN terminal box with lamp (Pg thread)
3T		With T type terminal box (G1/2)
3R		T type terminal box with lamp (G1/2)
<b>E Other options</b>		
Blank	No option	
S	With surge suppressor	
<b>F Rated voltage</b>		
1	Standard	100 VAC 50/60 Hz, 110 VAC 60 Hz
2		200 VAC 50/60 Hz, 220 VAC 60 Hz
3		24 VDC
AC110V	Custom	110 VAC 50/60 Hz
AC220V		220 VAC 50/60 Hz

### ⚠ Precautions for model No. selection

\*1 : Pg thread of the DIN terminal box is Pg9 for port size 10A to 25A, and Pg11 for 32A to 50A.

\*2 : When selecting the grommet coil, the optional surge suppressor is attached (port size 10A to 25A) or incorporated (port size 32A to 50A).  
When selecting the coil with a terminal box, it is mounted in the terminal box.

\*3 : Manual override (non-locking) is provided as standard.

[Example of model No.]

### NVP11-15A-12GS-1

Model: NVP

- A** Actuation : Universal
- B** Port size : Rc1/2
- C** Body/sealant combination : Body/aluminum, sealant/nitrile rubber
- D** Coil housing : With DIN terminal box
- E** Other options : With surge suppressor
- F** Voltage : 100 VAC 50/60 Hz, 110 VAC 60 Hz

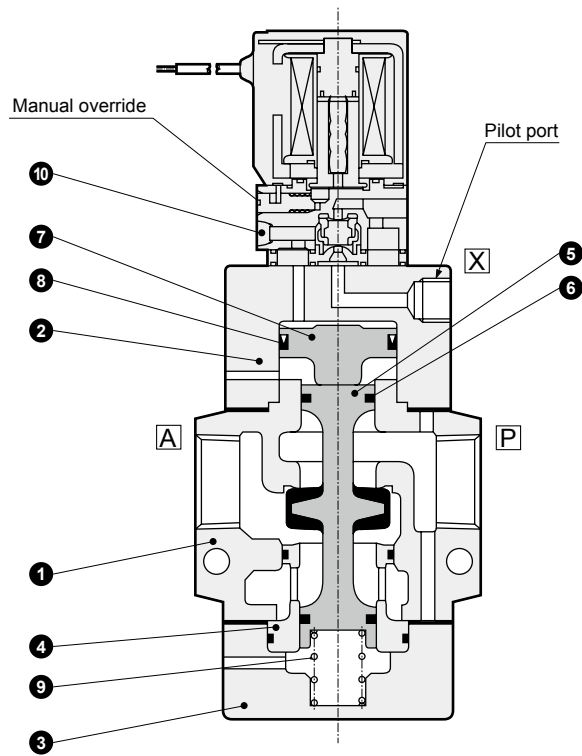
4GA/B
M4GA/B
MN4GA/B
4GA/B (mastr)
4GD/E
M4GD/E
MN4GD/E
4GA4/B4
MN3E
MN4E
W4GA/B2
W4GB4
4TB
4L2-4/LMF0
MN3S0
MN4S0
4SA/B0
4KA/B
4KA/B (mastr)
4F
4F (mastr)
PV5G
GMF
PV5
GMF
PV5S-0
3QR
3QB
MV3QR
3MA/B0
3PA/B
P/M/B
NP/NAP/NVP
4F*0EX
4F*0E
HMV
HSV
2QV
3QV
SKH
PCD
Silencer
TotAirSys (Total Air)
TotAirSys (Gamma)
Ending

# NVP11 Series

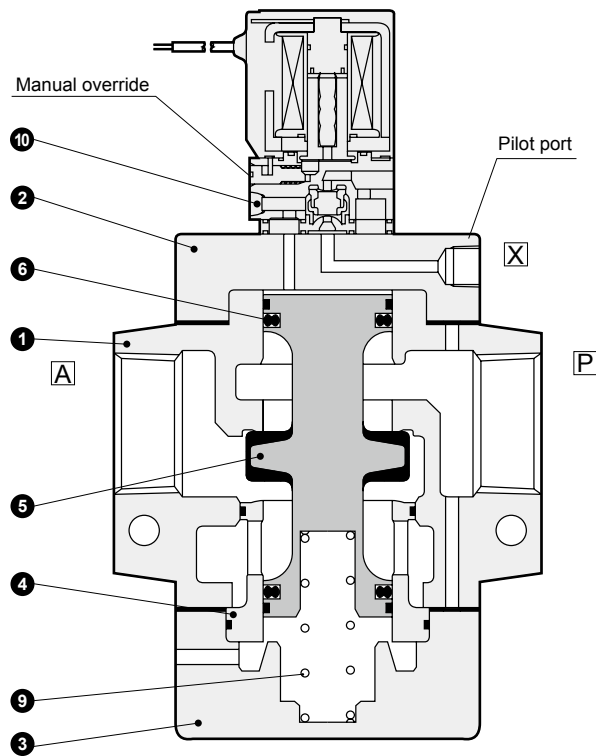
- 4GA/B
- M4GA/B
- MN4GA/B
- 4GA/B (mastr)
- 4GD/E
- M4GD/E
- MN4GD/E
- 4GA4/B4
- MN3E  
MN4E
- W4GA/B2
- W4GB4
- 4TB
- 4L2-4/  
LMF0
- MN3S0  
MN4S0
- 4SA/B0
- 4KA/B
- 4KA/B (mastr)
- 4F
- 4F (mastr)
- PV5G  
GMF
- PV5  
GMF
- PV5S-0
- 3QR  
3QB
- MV3QR
- 3MA/B0
- 3PA/B
- P/M/B
- NP/NAP/  
NVP
- 4F\*0EX
- 4F\*0E
- HMV  
HSV
- 2QV  
3QV
- SKH
- PCD
- Silencer
- TotAirSys  
(Total Air)
- TotAirSys  
(Gamma)
- Ending

## Internal structure and parts list

### ● NVP11-10A/15A



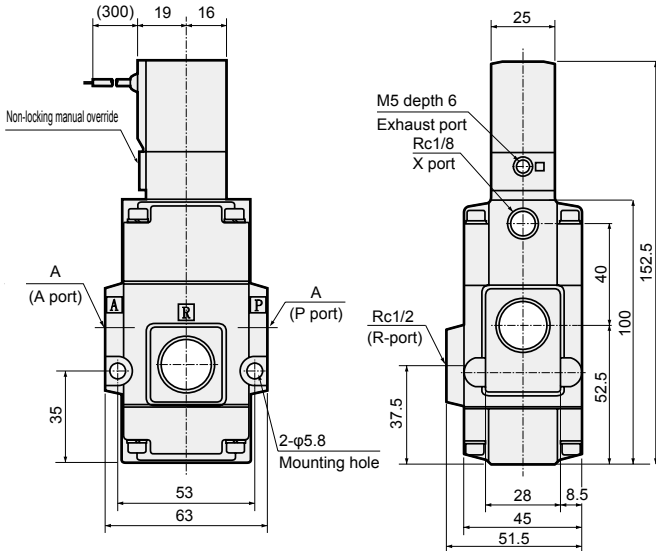
### ● NVP11-20A/25A/32A/40A/50A



No.	Part name	Material	No.	Part name	Material
1	Body	AC4C Aluminum casting	6	Packing	NBR Nitrile rubber
2	Body	AC4C Aluminum casting	7	Piston	POM Acetal resin
3	Cap	AC4C Aluminum casting	8	MY packing	NBR Nitrile rubber
4	Valve seat	C3604 Copper alloy	9	Spring	SWP Piano wire
5	Valve stem	NBR, A2017 Nitrile rubber, aluminum	10	Pilot solenoid valve	-

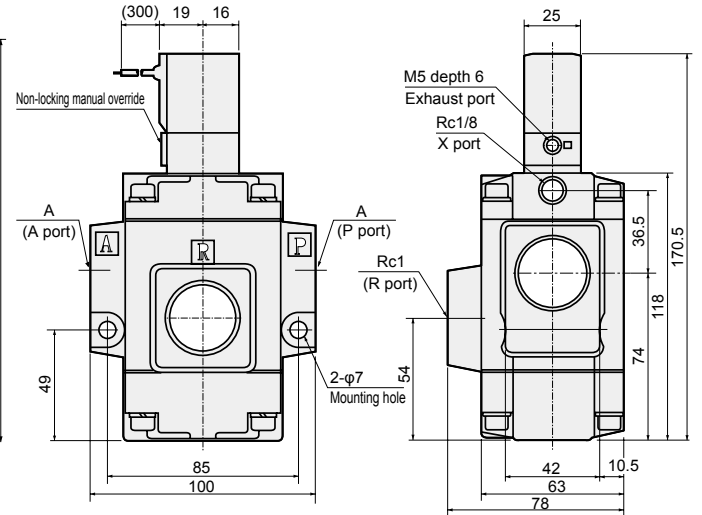
## Dimensions

● Grommet coil  
**NVP11-10A/15A-12C**



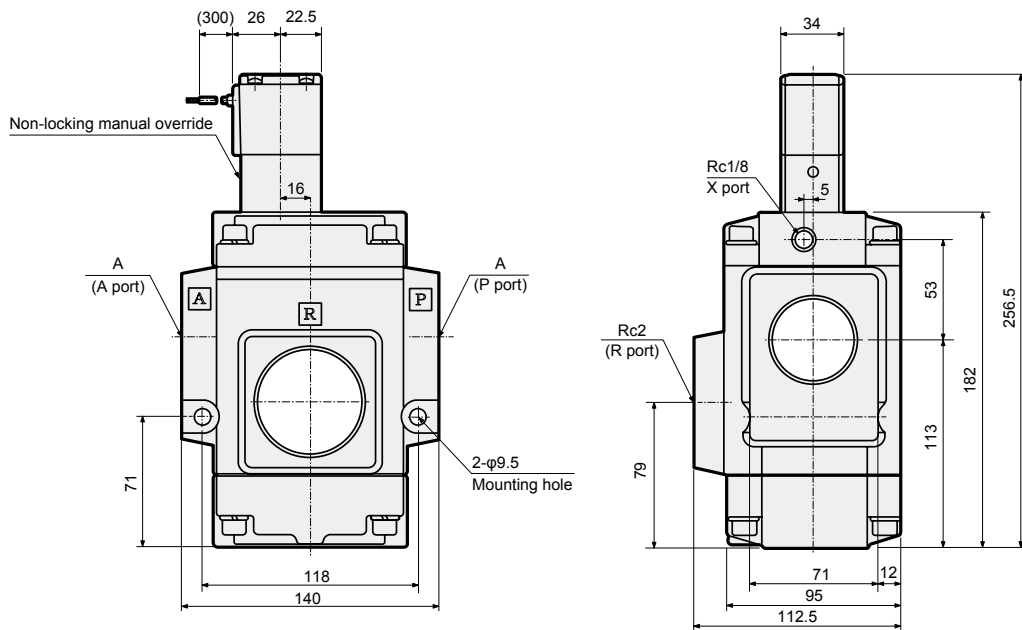
Model No.	A
NVP11-10A-1**	Rc3/8
NVP11-15A-1**	Rc1/2

● Grommet coil  
**NVP11-20A/25A-12C**



Model No.	A
NVP11-20A-1**	Rc3/4
NVP11-25A-1**	Rc1

● Grommet coil  
**NVP11-32A/40A/50A**



Model No.	A
NVP11-32A-1**	Rc1 1/4
NVP11-40A-1**	Rc1 1/2
NVP11-50A-1**	Rc2

4GA/B
M4GA/B
MN4GA/B
4GA/B (mastr)
4GD/E
M4GD/E
MN4GD/E
4GA4/B4
MN3E
MN4E
W4GA/B2
W4GB4
4TB
4L2-4/ LMFO
MN3S0
MN4S0
4SA/B0
4KA/B
4KA/B (mastr)
4F
4F (mastr)
PV5G
GMF
PV5
GMF
PV5S-0
3QR
3QB
MV3QR
3MA/B0
3PA/B
P/M/B
NP/NAP/ NVP
4F*0EX
4F*0E
HMV
HSV
2QV
3QV
SKH
PCD
Silencer
TotAirSys (Total Air)
TotAirSys (Gamma)
Ending

# NVP11 Series

Solenoid valve (universal)

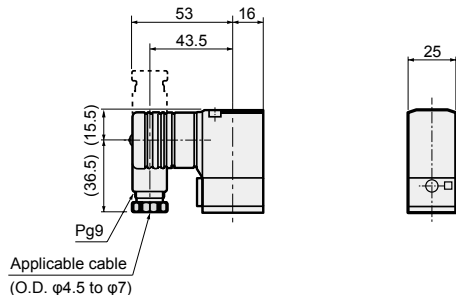
4GA/B
M4GA/B
MN4GA/B
4GA/B (mastr)
4GD/E
M4GD/E
MN4GD/E
4GA4/B4
MN3E MN4E
W4GA/B2
W4GB4
4TB
4L2-4/ LMF0
MN3S0 MN4S0
4SA/B0
4KA/B
4KA/B (mastr)
4F
4F (mastr)
PV5G GMF
PV5 GMF
PV5S-0
3QR 3QB
MV3QR
3MA/B0
3PA/B
P/M/B
<b>NP/NAP/ NVP</b>
4F*0EX
4F*0E
HMV HSV
2QV 3QV
SKH
PCD
Silencer
TotAirSys (Total Air)
TotAirSys (Gamma)
Ending

## Optional dimensions



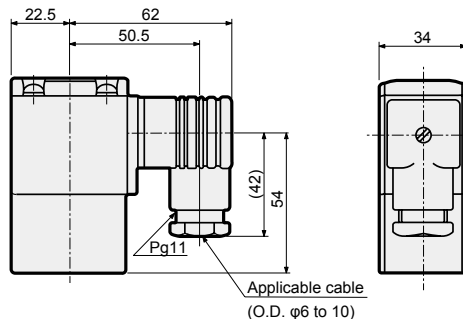
● With DIN terminal box (Pg9)

**NVP11-10A/15A/20A/25A-1** **2G**  
**2H**



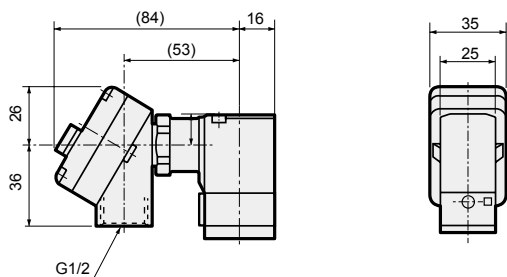
● With DIN terminal box (Pg11)

**NVP11-32A/40A/50A-1** **2G**  
**2H**



● With T type terminal box (G1/2)

**NVP11-10A/15A/20A/25A-1** **3T**  
**3R**



● With T type terminal box (G1/2)

**NVP11-32A/40A/50A-1** **3T**  
**3R**

