

# RTD-3A Series

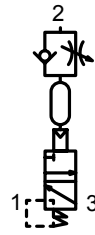
## Air timer



### Specifications

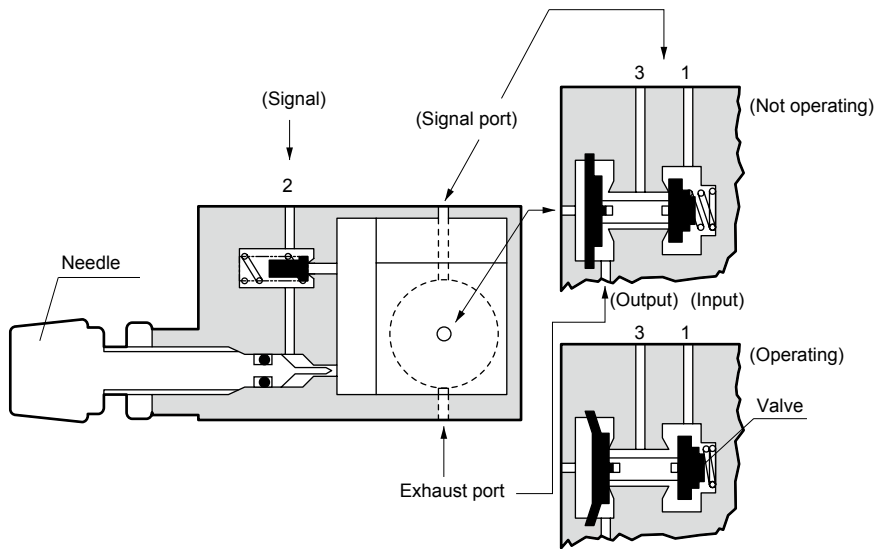
Descriptions	RTD-3A
Working fluid	Compressed air
Working pressure MPa	0.25 (≈36 psi) to 0.8 (≈120 psi)
Pilot pressure MPa	0.25 (≈36 psi) to 0.8 (≈120 psi)
Ambient temperature °C	5 (41°F) to 60 (140°F)
Delay time sec	MAX30
Port	IN port ..... No.1 OUT port ..... No.3 Pilot port ..... No.2
Connection	Push-in
Connection tube	O.D. φ4 nylon tube
Weight g	379

### JIS symbol

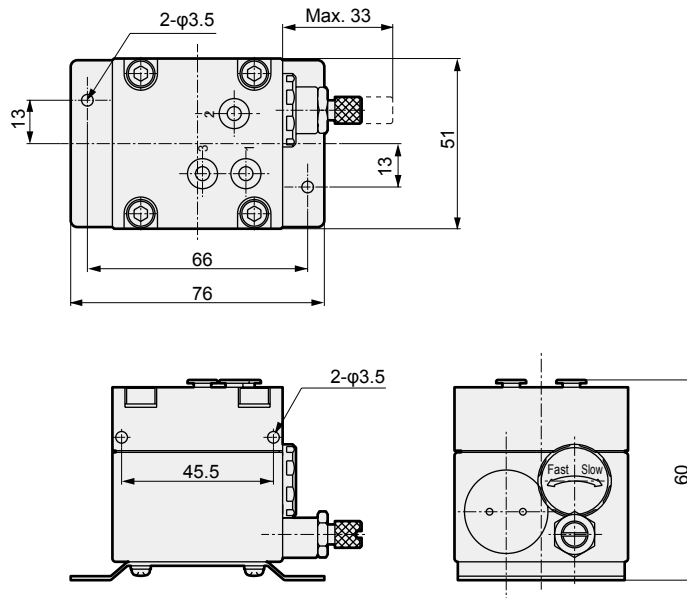


Model No. **RTD - 3A**

### Operational explanation



### Dimensions



**Pressure switch**

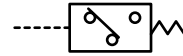


**Specifications**

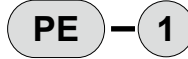
1 MPa = 10 bar

Descriptions	PE-1
Working pressure MPa	0.2 (≈29 psi) to 0.7 (≈100 psi)
Electric capacity	15 A or less...125, 250, 480 VAC 0.5 A or less...125 VDC 0.25 A or less...250 VDC
Connection	O.D. φ4 nylon tube Push-in connection
Weight g	102

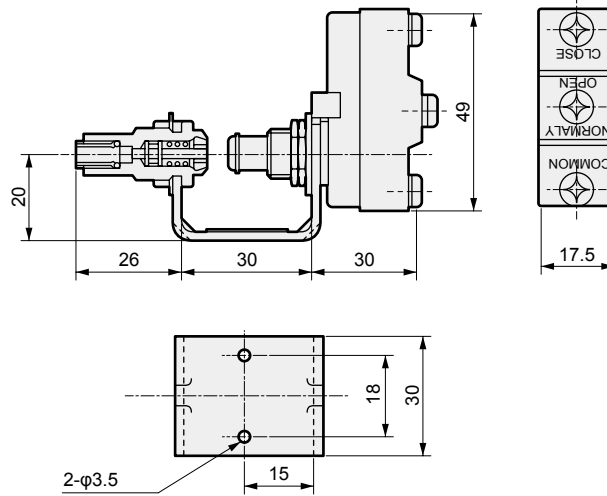
**JIS symbol**



Model No.



**Dimensions**



**Air lamp**

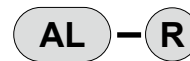


**Specifications**

1 MPa = 10 bar

Descriptions	AL-R, AL-B, AL-Y
Working pressure MPa	0.05 (≈7.3 psi) to 0.8 (≈120 psi)
Panel	Surface display
Connection	O.D. φ4 nylon tube Push-in connection
Weight g	51

Model No.



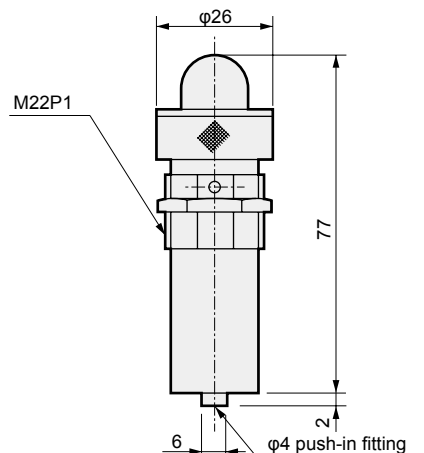
**JIS symbol**



**Display color**

R	Red
B	Blue
Y	Yellow

**Dimensions**



**WARNING**

Do not attach a pipe wrench, etc., onto the main body (knurled section) and apply excessive force. It could damage the product body.

**CAUTION**

Do not modify this product. There is a risk of injury and damage.

4GA/B
M4GA/B
MN4GA/B
4GA/B (mastr)
4GD/E
M4GD/E
MN4GD/E
4GA4/B4
MN3E
MN4E
W4GA/B2
W4GB4
4TB
4L2-4/LMF0
MN3S0
MN4S0
4SA/B0
4KA/B
4KA/B (mastr)
4F
4F (mastr)
PV5G
GMF
PV5
GMF
PV5S-0
3QR
3QB
MV3QR
3MA/B0
3PA/B
P/M/B
NP/NAP/NVP
4F*0EX
4F*0E
HMV
HSV
2QV
3QV
SKH
PCD
Silencer
TotAirSys (Total Air)
TotAirSys (Gamma)
Ending

## Compact air lamp



### Specifications

1 MPa = 10 bar

Descriptions	SAL-R, SAL-B
Working pressure MPa	0.25 (≈36 psi) to 0.8 (≈120 psi)
Connection	Insert into $\phi 4$ push-in fitting
Weight g	3.8

Model No.



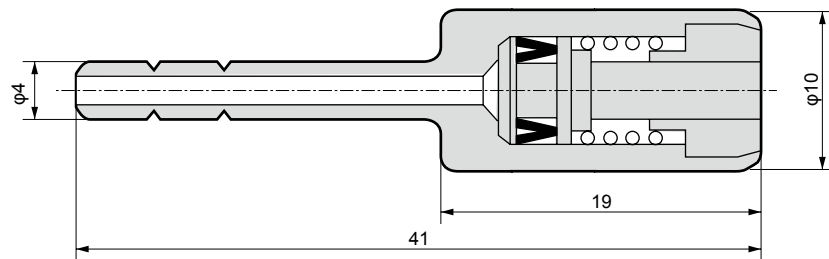
JIS symbol



Display color

R	Red
B	Blue

### Dimensions



- 4GA/B
- M4GA/B
- MN4GA/B
- 4GA/B (mastr)
- 4GD/E
- M4GD/E
- MN4GD/E
- 4GA4/B4
- MN3E  
MN4E
- W4GA/B2
- W4GB4
- 4TB
- 4L2-4/  
LMF0
- MN3S0  
MN4S0
- 4SA/B0
- 4KA/B
- 4KA/B (mastr)
- 4F
- 4F (mastr)
- PV5G  
GMF
- PV5  
GMF
- PV5S-0
- 3QR  
3QB
- MV3QR
- 3MA/B0
- 3PA/B
- P/M/B
- NP/NAP/  
NVP
- 4F\*0EX
- 4F\*0E
- HMV  
HSV
- 2QV  
3QV
- SKH
- PCD
- Silencer
- TotAirSys  
(Total Air)
- TotAirSys  
(Gamma)
- Ending