



Metal-free 2, 3-port solenoid valve

MAB1/MAG1 Series

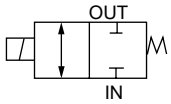
- NC, universal
- Working fluid: Water/pure water/chemical liquids
- Port size: M6



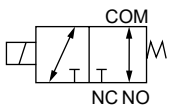
- EXA
- FWD
- HNB/G
- USB/G
- FAB/G
- FGB/G
- FVB
- FWB/G
- FHB
- FLB
- AB
- AG
- AP/AD
- APK/ADK
- DryAir
- EX-XPLNprf
- XPLNprf
- HVB/HVL
- SAB/NAB
- LAD/NAD
- Water-Rela
- NP/NAP/NVP
- SNP
- CHB/G
- MXB/G
- Other valves
- SWD/MWD
- DustColl
- CVE/CVSE
- CCH/CPE/D
- LifeSci
- Gas-Combus
- Auto-Water
- SpecFld
- Custom
- Ending

JIS symbol

● MAB1 (2-port)
: NC



● MAG1 (3-port)
: Universal



Specifications

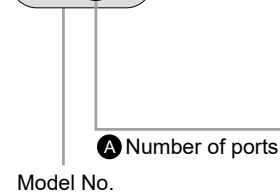
1 MPa ≈ 145.0 psi, 1 MPa = 10 bar

Descriptions	MAB1-M6-DC24V				MAG1-M6-DC24V				
Working fluid	Water/pure water/chemical liquids (fluids that do not corrode wetted part materials)								
Proof pressure MPa	0.45 (≈65 psi, 4.5 bar) (water pressure)								
Working pressure MPa	Conditions	Fluid flow direction	Working pressure range of each port		Conditions	Fluid flow direction	Working pressure range of each port		
			IN	OUT			COM	NC	NO
	IN (+) press	IN→OUT	0 to 0.3	0 to 0.1	COM (+) press	COM→NO or NC	0 to 0.3	0 to 0.1	0 to 0.1
	OUT (+) press	OUT→IN	0 to 0.1	0 to 0.1	NC (+) press	NC→COM	0 to 0.1	0 to 0.1	0 to 0.1
	IN (-) press	OUT→IN	-0.05 to 0	-0.05 to 0	NO (+) press	NO→COM	0 to 0.1	0 to 0.1	0 to 0.1
					COM (-) press	NO or NC→COM	-0.05 to 0	-0.05 to 0	-0.05 to 0
Fluid temperature °C	5 (41°F) to 60 (140°F)								
Ambient temperature °C	0 (32°F) to 50 (122°F)								
Atmosphere	No explosive or corrosive atmospheres								
Valve seat leakage cm ³ /min	0 (water pressure)								
Port size	M6								
Orifice size mm	1.6 or equiv.								
Cv	0.045								
Mounting orientation	Unrestricted								
Weight kg	0.13								
Electrical specifications									
Rated voltage	24 VDC								
Voltage fluctuation range	±10%								
Power consumption W	2.3								
Leakage current mA	2.4 or less (*1)								
Thermal class	Class 130 (B)								

*1: The leakage current from the control circuit must be equal to or less than the values shown in the table.

How to order

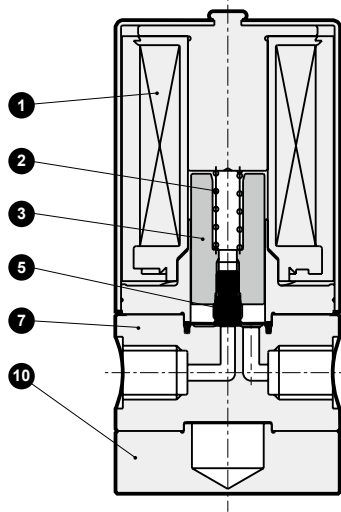
MA B 1 - M6 - DC24V



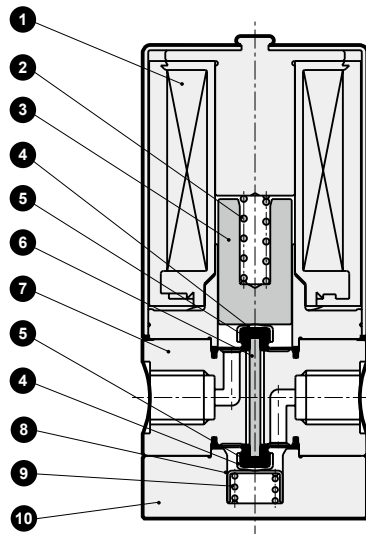
Code	Content
A	Number of ports
B	2-port valve
G	3-port valve

Internal structure and parts list

● MAB1-M6-DC24V



● MAG1-M6-DC24V



Cannot be disassembled

No.	Part name	Material	No.	Part name	Material
1	Coil assembly	---	6	Rod	--- ; Ceramic
2	Spring	SUS304 ; Stainless steel	7	Body	PTFE ; Tetrafluoroethylene resin
3	Plunger	SUY ; Iron	8	Spring holder	SUS304 ; Stainless steel
4	Cap	SUS304 ; Stainless steel	9	Spring	SUS304 ; Stainless steel
5	Diaphragm	PTFE ; Tetrafluoroethylene resin	10	Mounting plate	SUS303 ; Stainless steel

EXA
FWD
HNB/G
USB/G
FAB/G
FGB/G
FVB
FWB/G
FHB
FLB
AB
AG
AP/ AD
APK/ ADK
DryAir
EX- XPLNprf
XPLNprf
HVB/ HVL
S ∇ B/ NAB
LAD/ NAD
Water- Rela
NP/NAP/ NVP
SNP
CHB/G
MXB/G
Other valves
SWD/ MWD
DustColl
CVE/ CVSE
CCH / CPE/D
LifeSci
Gas- Combus
Auto- Water
SpecFld
Custom
Ending

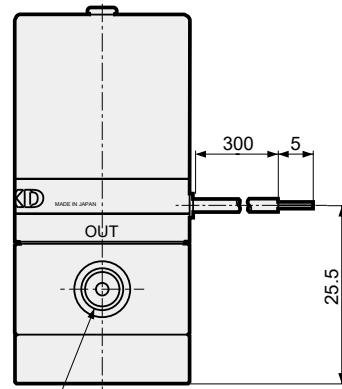
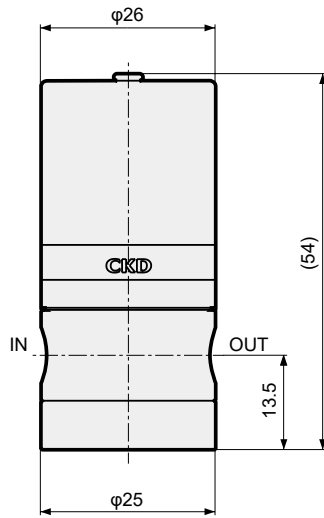
MAB1/MAG1 Series



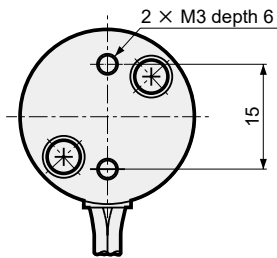
Dimensions

- EXA
- FWD
- HNB/G
- USB/G
- FAB/G
- FGB/G
- FVB
- FWB/G
- FHB
- FLB
- AB
- AG
- AP/
AD
- APK/
ADK
- DryAir
- EX-
XPLNprf
- XPLNprf
- HVB/
HVL
- S ∇ B/
NAB
- LAD/
NAD
- Water-
Rela
- NP/NAP/
NVP
- SNP
- CHB/G
- MXB/G
- Other
valves
- SWD/
MWD
- DustColl
- CVE/
CVSE
- CCH /
CPE/D
- LifeSci
- Gas-
Combus
- Auto-
Water
- SpecFld
- Custom
- Ending

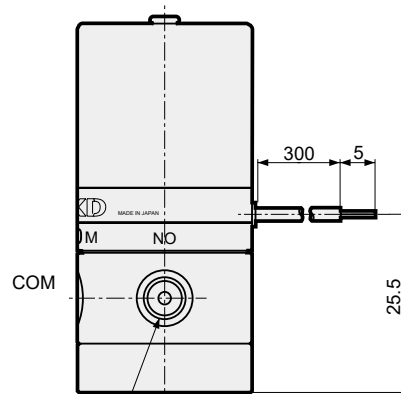
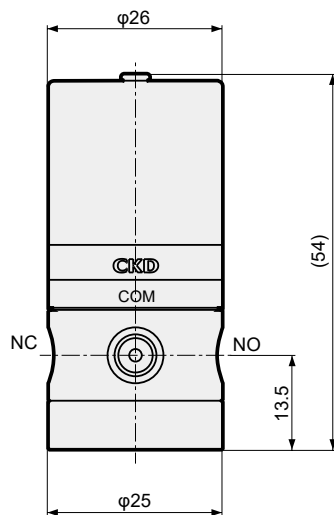
● MAB1-M6-DC24V



2 × M6 depth 6
Prepared hole depth 7.2,
entrance φ8



● MAG1-M6-DC24V



3 × M6 depth 6
Prepared hole depth 7.2,
entrance φ8

