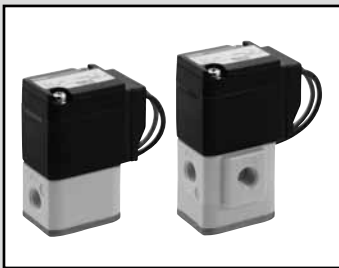


EXA
FWD
HNB/G
USB/G
FAB/G
FGB/G
FVB
FWB/G
FHB
FLB
AB
AG
AP/
AD
APK/
ADK
DryAir
EX-
XPLNprf
XPLNprf
HVB/
HVL
S Δ B/
NAB
LAD/
NAD
Water-
Rela
NP/NAP/
NVP
SNP
CHB/G
MXB/G
Other
valves
SWD/
MWD
DustColl
CVE/
CVSE
CCH /
CPE/D
LifeSci
Gas-
Combus
Auto-
Water
SpecFld
Custom
Ending



Metal-free 2, 3-port solenoid valve

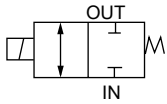
MEB2/MEG2 Series

- NC, universal
- Working fluid: Water/pure water/chemical liquids
- Port size: Rc1/8

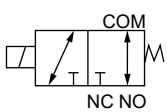


JIS symbol

● MEB2 (2-port)
: NC



● MEG2 (3-port)
: Universal



Specifications

1 MPa ≈ 145.0 psi, 1 MPa = 10 bar

Descriptions	MEB2-6				MEG2-6				
Working fluid	Water/pure water/chemical liquids (fluids that do not corrode wetted part materials)								
Proof pressure MPa	0.3 (=44 psi, 3 bar) (water pressure)								
Working pressure MPa	Conditions	Fluid flow direction	Working pressure range of each port		Conditions	Fluid flow direction	Working pressure range of each port		
			IN	OUT			COM	NC	NO
	IN (+) press	IN→OUT	0 to 0.2	0 to 0.1	COM (+) press	COM→NO or NC	0 to 0.2	0 to 0.1	0 to 0.1
	OUT (+) press	OUT→IN	0 to 0.1	0 to 0.1	NC (+) press	NC→COM	0 to 0.1	0 to 0.1	0 to 0.1
	IN (-) press	OUT→IN	-0.05 to 0	-0.05 to 0	NO (+) press	NO→COM	0 to 0.1	0 to 0.1	0 to 0.1
					COM (-) press	NO or NC→COM	-0.05 to 0	-0.05 to 0	-0.05 to 0
Fluid temperature °C	0 (32°F) to 60 (140°F) (no freezing)								
Ambient temperature °C	0 (32°F) to 50 (122°F)								
Atmosphere	No explosive or corrosive atmospheres								
Valve seat leakage cm ³ /min	0 (water pressure)								
Port size	Rc1/8								
Orifice size mm	3.0 or equiv.								
Cv	0.18								
Mounting orientation	Unrestricted								
Weight kg	0.22				0.24				
Electrical specifications									
Rated voltage	24 VDC/100 VAC(50/60 Hz)								
Voltage fluctuation range	±10%								
Power consumption W	5.5								
Starting current A	1 or less								
Leakage current mA	24 VDC: 1 or less, 100 VAC: 6 or less (*1)								
Thermal class	Class 130 (B)								

*1 : The leakage current from the control circuit must be equal to or less than the values shown in the table.

*2 : As this product generates noise from incorporating electronic oscillator circuits, use noise countermeasures on the same power line.

*3 : After the solenoid valve is completely switched OFF, set an interval of 0.5 seconds or more before switching it ON the next time.

How to order

ME B 2 - 6 - DC24V

A Number of ports

B Orifice size

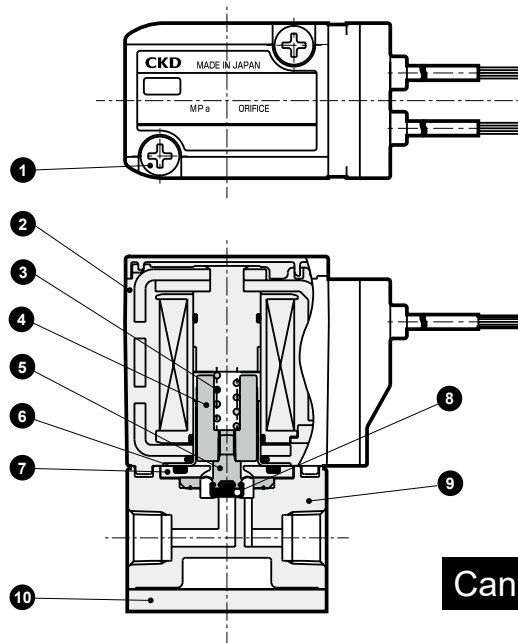
C Port size

D Rated voltage

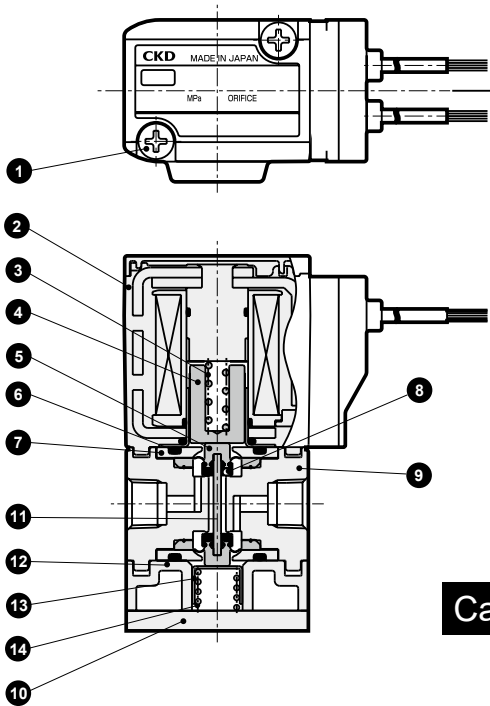
Code	Content
A	Number of ports
B	2-port
G	3-port
B	Orifice size
2	φ3
C	Port size
6	Rc1/8
D	Rated voltage
DC24V	24 VDC
AC100V	100 VAC(50/60 Hz)

Internal structure and parts list

● MEB2 (2-port valve)



● MEG2 (3-port valve)



No.	Part name	Material	No.	Part name	Material
1	Cross-recessed pan head machine screw	SUSXM7 ;Stainless steel	8	Valve seat	FFKM ;Perfluoroelastomer
2	Coil assembly	Class B molded coil	9	Body	PPS ;Polyphenylene sulfide
3	Spring	SUS304 ;Stainless steel	10	Mounting plate	SUS304 ;Stainless steel
4	Plunger	SUS405 ;Stainless steel	11	Rod	Ceramic
5	Diaphragm	PTFE ;Tetrafluoroethylene resin	12	Base	PPS ;Polyphenylene sulfide
6	O-ring	FKM ;Fluoro rubber	13	Spring holder	SUS304 ;Stainless steel
7	Diaphragm adaptor	PPS ;Polyphenylene sulfide	14	Spring	SUS304 ;Stainless steel

EXA
FWD
HNB/G
USB/G
FAB/G
FGB/G
FVB
FWB/G
FHB
FLB
AB
AG
AP/ AD
APK/ ADK
DryAir
EX- XPLNprf
XPLNprf
HVB/ HVL
S◇B/ NAB
LAD/ NAD
Water- Rela
NP/NAP/ NVP
SNP
CHB/G
MXB/G
Other valves
SWD/ MWD
DustColl
CVE/ CVSE
CCH / CPE/D
LifeSci
Gas- Combus
Auto- Water
SpecFld
Custom
Ending

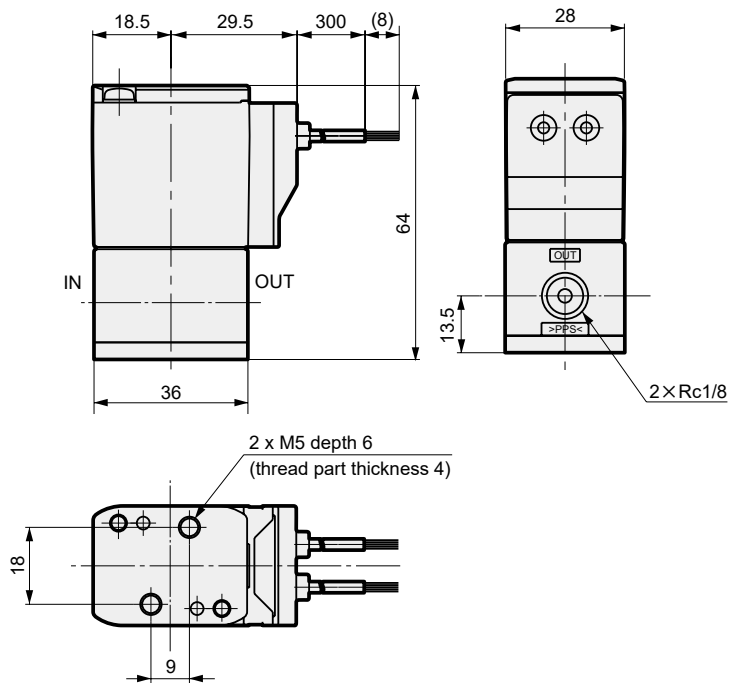
MEB2/MEG2 Series

Dimensions

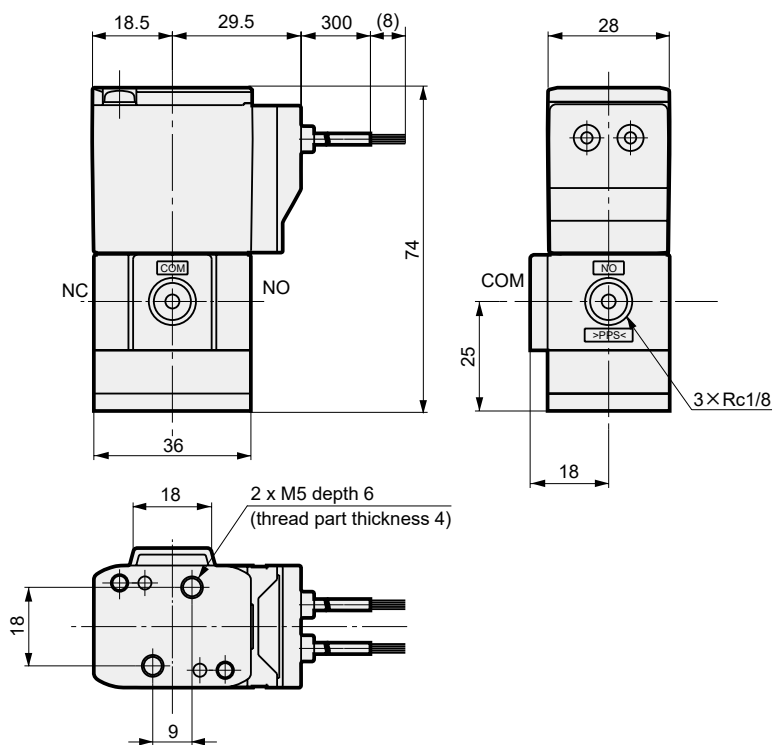


- EXA
- FWD
- HNB/G
- USB/G
- FAB/G
- FGB/G
- FVB
- FWB/G
- FHB
- FLB
- AB
- AG
- AP/AD
- APK/ADK
- DryAir
- EX-XPLNprf
- XPLNprf
- HVB/HVL
- SAB/NAB
- LAD/NAD
- Water-Rela
- NP/NAP/NVP
- SNP
- CHB/G
- MXB/G
- Other valves
- SWD/MWD
- DustColl
- CVE/CVSE
- CCH/CPE/D
- LifeSci
- Gas-Combus
- Auto-Water
- SpecFld
- Custom
- Ending

● MEB2 (2-port valve)



● MEG2 (3-port valve)



* When 2 x M5 for mounting is 6 mm or more from the bottom of the mounting plate, the screw cuts into the body or base, leading to cracking. The screw end must be 6 mm or less from the bottom of the mounting plate.