



Metal-free 2, 3-port solenoid valve

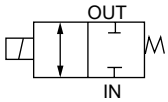
MYB1/MYG1 Series

- NC, universal
- Working fluid: Water/pure water/chemical liquids
- Port size: M6

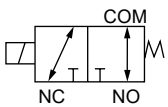


JIS symbol

- MYB1 (2-port)
: NC



- MYG1 (3-port)
: Universal



Specifications

1 MPa ≈ 145.0 psi, 1 MPa = 10 bar

Descriptions	MYB1-M6	MYG1-M6							
Working fluid	Water/pure water/chemical liquids (fluids that do not corrode wetted part materials)								
Proof pressure MPa	0.3 (≈44 psi, 3 bar) (water pressure)								
Working pressure MPa	Conditions	Fluid flow direction	Working pressure range of each port	Conditions	Fluid flow direction	Working pressure range of each port			
			IN	OUT		COM	NC	NO	
	IN (+) press	IN→OUT	0 to 0.2	0 to 0.1	COM (+) press	COM→NO or NC	0 to 0.2	0 to 0.1	0 to 0.1
	OUT (+) press	OUT→IN	0 to 0.1	0 to 0.1	NC (+) press	NC→COM	0 to 0.1	0 to 0.1	0 to 0.1
	IN (-) press	OUT→IN	-0.05 to 0	-0.05 to 0	NO (+) press	NO→COM	0 to 0.1	0 to 0.1	0 to 0.1
					COM (-) press	NO or NC→COM	-0.05 to 0	-0.05 to 0	-0.05 to 0
Fluid temperature °C	5 (41°F) to 60 (140°F)								
Ambient temperature °C	0 (32°F) to 50 (122°F)								
Atmosphere	No explosive or corrosive atmospheres								
Valve seat leakage cm ³ /min	0 (water pressure)								
Port size	M6								
Orifice size mm	2.0 or equiv.								
Cv	0.1								
Mounting orientation	Unrestricted								
Weight kg	0.14								
Electrical specifications									
Rated voltage	12 VDC/24 VDC/100 VAC(50/60 Hz)								
Voltage fluctuation range	±10%								
Power consumption	AC	3.8							
	DC	3.0							
Leakage current mA	2 or less (12 VDC)/1 or less (24 VDC)/1.5 or less (100 VAC) (*1)								
Thermal class	Class 130 (B)								

*1: The leakage current from the control circuit must be equal to or less than the values shown in the table.

How to order

MY B 1 - M6 - DC12V

A Number of ports

B Orifice size

C Port size

D Rated voltage

Code	Content
A Number of ports	
B	2-port
G	3-port
B Orifice size	
1	φ2
C Port size	
M6	M6
D Rated voltage	
DC12V	12 VDC
DC24V	24 VDC
AC100V	100 VAC(50/60 Hz)

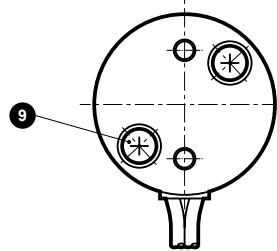
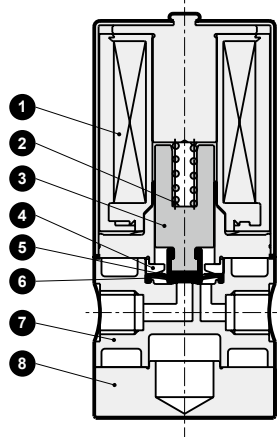
EXA
FWD
HNB/G
USB/G
FAB/G
FGB/G
FVB
FWB/G
FHB
FLB
AB
AG
AP/
AD
APK/
ADK
DryAir
EX-
XPLNprf
XPLNprf
HVB/
HVL
SAB/
NAB
LAD/
NAD
Water-
Rela
NP/NAP/
NVP
SNP
CHB/G
MXB/G
Other
valves
SWD/
MWD
DustColl
CVE/
CVSE
CCH /
CPE/D
LifeSci
Gas-
Combus
Auto-
Water
SpecFld
Custom
Ending

MYB1/MYG1 Series

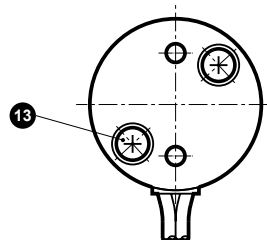
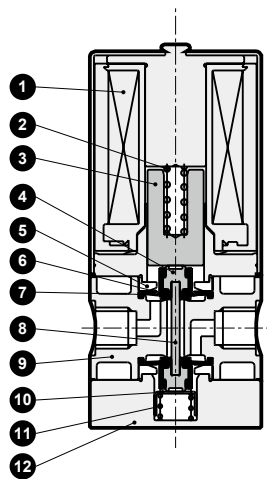
Internal structure and parts list

- EXA
- FWD
- HNB/G
- USB/G
- FAB/G
- FGB/G
- FVB
- FWB/G
- FHB
- FLB
- AB
- AG
- AP/
AD
- APK/
ADK
- DryAir
- EX-
XPLNprf
- XPLNprf
- HVB/
HVL
- SAB/
NAB
- LAD/
NAD
- Water-
Rela
- NP/NAP/
NVP
- SNP
- CHB/G
- MXB/G
- Other
valves
- SWD/
MWD
- DustColl
- CVE/
CVSE
- CCH /
CPE/D
- LifeSci
- Gas-
Combus
- Auto-
Water
- SpecFld
- Custom
- Ending

● MYB1-M6



● MYG1-M6



Cannot be disassembled

No.	Part name	Material
1	Coil assembly	Class B molded coil
2	Spring	SUS304 Stainless steel
3	Plunger	SUS405 Stainless steel
4	Diaphragm adaptor	PPS Polyphenylene sulfide
5	Protective sheet	PTFE Tetrafluoroethylene resin
6	Diaphragm	FKM Fluoro rubber
7	Body	PPS Polyphenylene sulfide
8	Mounting plate	SUS303 Stainless steel
9	Phillips pan head machine screw, captive spring washer	SUSXM7 Stainless steel

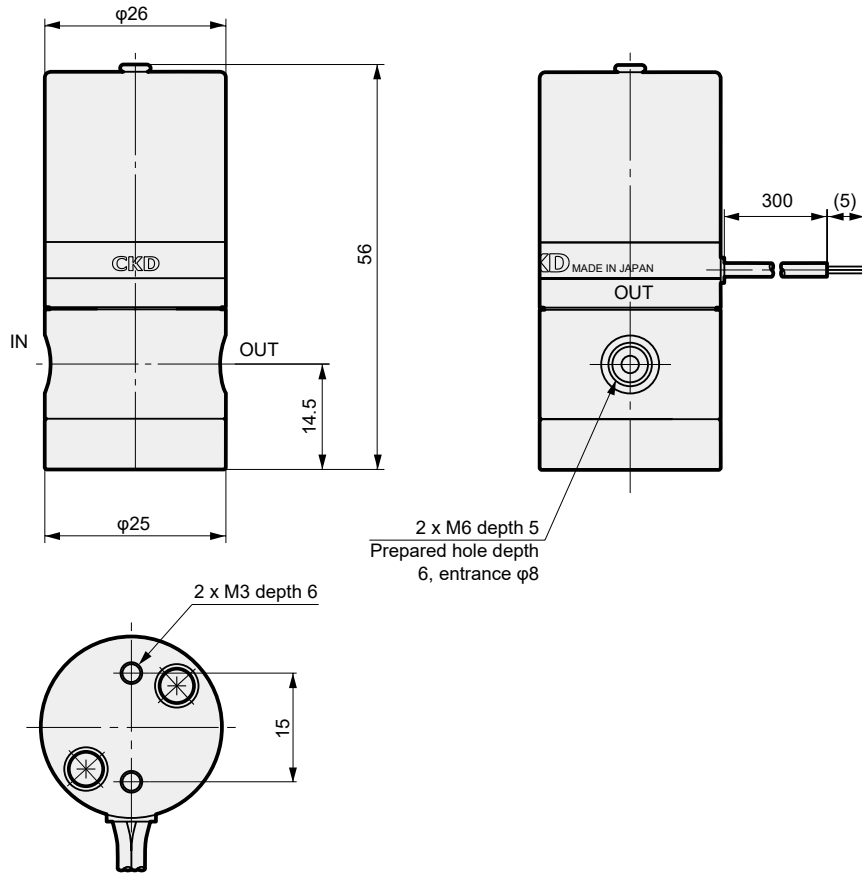
Cannot be disassembled

No.	Part name	Material
1	Coil assembly	Class B molded coil
2	Spring	SUS304 Stainless steel
3	Plunger	SUY Iron
4	Spacer	PPS Polyphenylene sulfide
5	Diaphragm adaptor	PPS Polyphenylene sulfide
6	Protective sheet	PTFE Tetrafluoroethylene resin
7	Diaphragm	FKM Fluoro rubber
8	Rod	Ceramic
9	Body	PPS Polyphenylene sulfide
10	Spring holder	SUS304 Stainless steel
11	Spring	SUS304 Stainless steel
12	Mounting plate	SUS303 Stainless steel
13	Phillips pan head machine screw, captive spring washer	SUSXM7 Stainless steel

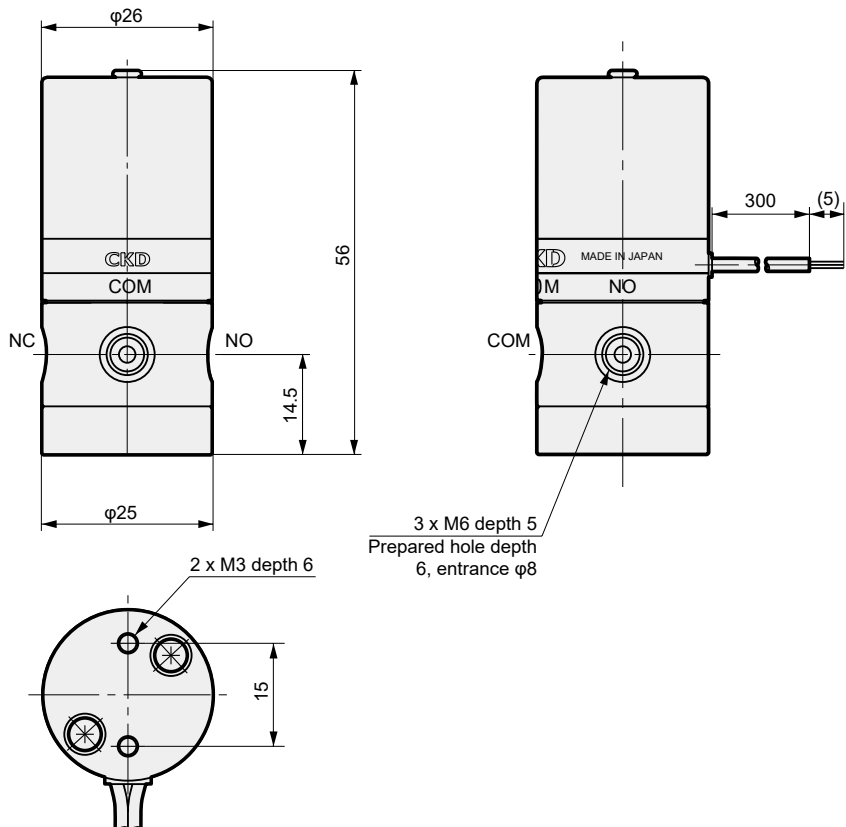
Dimensions



● MYB1-M6

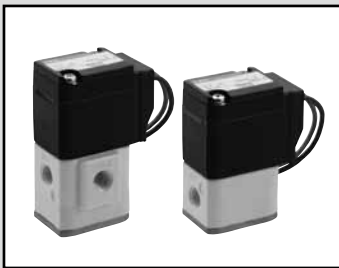


● MYG1-M6



EXA
FWD
HNB/G
USB/G
FAB/G
FGB/G
FVB
FWB/G
FHB
FLB
AB
AG
AP/ AD
APK/ ADK
DryAir
EX- XPLNprf
XPLNprf
HVB/ HVL
S ∇ B/ NAB
LAD/ NAD
Water- Rela
NP/NAP/ NVP
SNP
CHB/G
MXB/G
Other valves
SWD/ MWD
DustColl
CVE/ CVSE
CCH / CPE/D
LifeSci
Gas- Combus
Auto- Water
SpecFld
Custom
Ending

EXA
FWD
HNB/G
USB/G
FAB/G
FGB/G
FVB
FWB/G
FHB
FLB
AB
AG
AP/
AD
APK/
ADK
DryAir
EX-
XPLNprf
XPLNprf
HVB/
HVL
SAB/
NAB
LAD/
NAD
Water-
Rela
NP/NAP/
NVP
SNP
CHB/G
MXB/G
Other
valves
SWD/
MWD
DustColl
CVE/
CVSE
CCH /
CPE/D
LifeSci
Gas-
Combus
Auto-
Water
SpecFld
Custom
Ending



Metal-free 2, 3-port solenoid valve

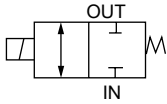
MYB2/MYG2 Series

- NC, universal
- Working fluid: Water/pure water/chemical liquids
- Port size: Rc1/8

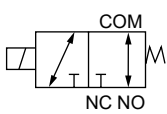


JIS symbol

● MYB2 (2-port)
: NC



● MYG2 (3-port)
: Universal



Specifications

1 MPa ≈ 145.0 psi, 1 MPa = 10 bar

Descriptions	MYB2-6				MYG2-6				
Working fluid	Water/pure water/chemical liquids (fluids that do not corrode wetted part materials)								
Proof pressure MPa	0.3 (≈44 psi, 3 bar) (water pressure)								
Working pressure MPa	Conditions	Fluid flow direction	Working pressure of each port (MPa)		Conditions	Fluid flow direction	Working pressure of each port (MPa)		
			IN	OUT			COM	NC	NO
	IN (+) press	IN→OUT	0 to 0.2	0 to 0.1	COM (+) press	COM→NO or NC	0 to 0.2	0 to 0.1	0 to 0.1
	OUT (+) press	OUT→IN	0 to 0.1	0 to 0.1	NC (+) press	NC→COM	0 to 0.1	0 to 0.1	0 to 0.1
	IN (-) press	OUT→IN	-0.05 to 0	-0.05 to 0	NO (+) press	NO→COM	0 to 0.1	0 to 0.1	0 to 0.1
					COM (-) press	NO or NC→COM	-0.05 to 0	-0.05 to 0	-0.05 to 0
Fluid temperature °C	5 (41°F) to 60 (140°F)								
Ambient temperature °C	0 (32°F) to 50 (122°F)								
Atmosphere	No explosive or corrosive atmospheres								
Valve seat leakage cm ³ /min	0 (water pressure)								
Port size	Rc1/8								
Orifice size mm	3.0 or equiv.								
Cv	0.18								
Mounting orientation	Unrestricted								
Weight kg	0.22				0.24				
Electrical specifications									
Rated voltage	24 VDC, 100 VAC(50/60 Hz)								
Voltage fluctuation range	±10%								
Power consumption W	5.5								
Starting current A	1 or less								
Leakage current mA	24 VDC: 1 or less, 100 VAC: 6 or less (*1)								
Thermal class	Class 130 (B)								

*1 : The leakage current from the control circuit must be equal to or less than the values shown in the table.

*2 : As this product generates noise from incorporating electronic oscillator circuits, use noise countermeasures on the same power line.

*3 : After the solenoid valve is completely switched OFF, set an interval of 0.5 seconds or more before switching it ON the next time.

How to order

MY B 2 - 6 - DC24V

A Number of ports

B Orifice size

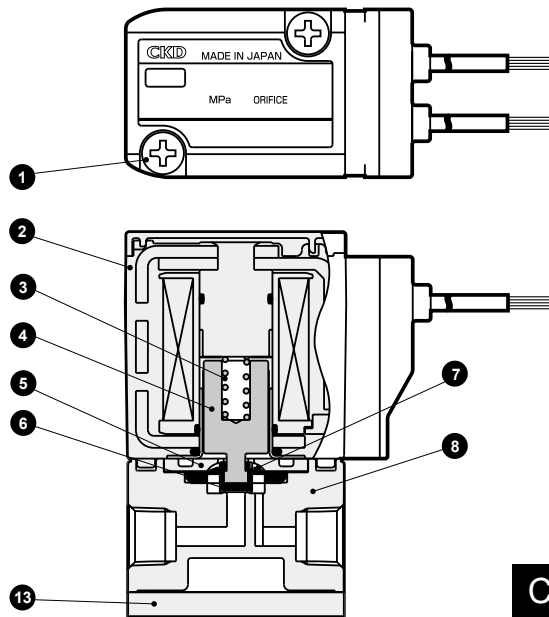
C Port size

D Rated voltage

Code	Content
A Number of ports	
B	2-port
G	3-port
B Orifice size	
2	φ3
C Port size	
6	Rc1/8
D Rated voltage	
DC24V	24 VDC
AC100V	100 VAC(50/60 Hz)

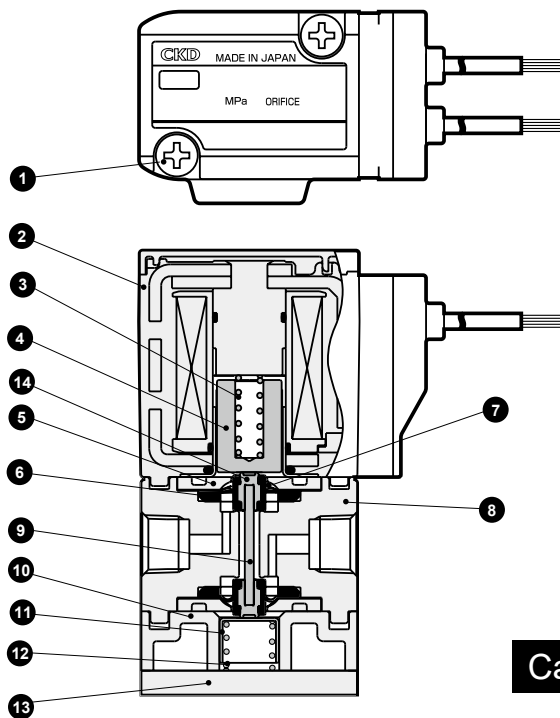
Internal structure and parts list

● MYB2 (2-port valve)



Cannot be disassembled

● MYG2 (3-port valve)



Cannot be disassembled

No.	Part name	Material	No.	Part name	Material
1	Cross-recessed pan head machine screw	SUSXM7 ;Stainless steel	8	Body	PPS ;Polyphenylene sulfide
2	Coil assembly	Class B molded coil	9	Rod	Ceramic
3	Spring	SUS304 ;Stainless steel	10	Base	PPS ;Polyphenylene sulfide
4	Plunger	SUS405 ;Stainless steel	11	Spring holder	SUS304 ;Stainless steel
5	Diaphragm adaptor	PPS ;Polyphenylene sulfide	12	Spring	SUS304 ;Stainless steel
6	Diaphragm	FKM ;Fluoro rubber	13	Mounting plate	SUS304 ;Stainless steel
7	Protective sheet	PTFE ;Tetrafluoroethylene resin	14	Cap	PPS ;Polyphenylene sulfide

EXA
FWD
HNB/G
USB/G
FAB/G
FGB/G
FVB
FWB/G
FHB
FLB
AB
AG
AP/ AD
APK/ ADK
DryAir
EX- XPLNprf
XPLNprf
HVB/ HVL
SAB/ NAB
LAD/ NAD
Water- Rela
NP/NAP/ NVP
SNP
CHB/G
MXB/G
Other valves
SWD/ MWD
DustColl
CVE/ CVSE
CCH / CPE/D
LifeSci
Gas- Combus
Auto- Water
SpecFld
Custom
Ending

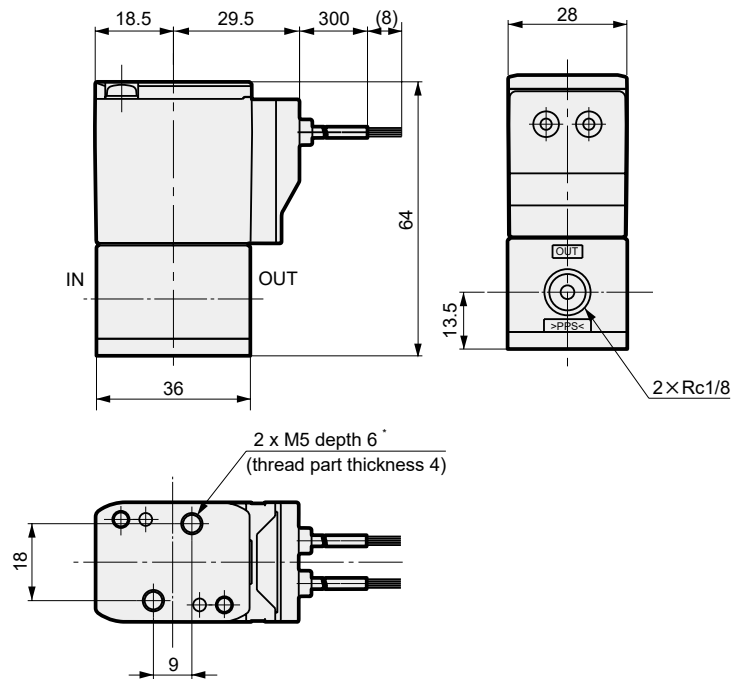
MYB2/MYG2 Series

Dimensions

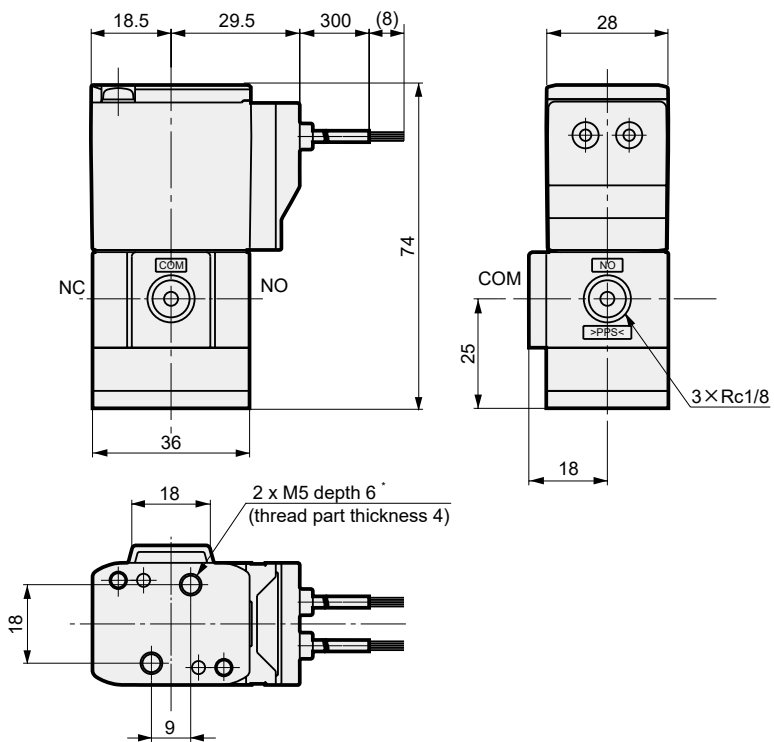


- EXA
- FWD
- HNB/G
- USB/G
- FAB/G
- FGB/G
- FVB
- FWB/G
- FHB
- FLB
- AB
- AG
- AP/
AD
- APK/
ADK
- DryAir
- EX-
XPLNprf
- XPLNprf
- HVB/
HVL
- S ∇ B/
NAB
- LAD/
NAD
- Water-
Rela
- NP/NAP/
NVP
- SNP
- CHB/G
- MXB/G
- Other
valves
- SWD/
MWD
- DustColl
- CVE/
CVSE
- CCH /
CPE/D
- LifeSci
- Gas-
Combus
- Auto-
Water
- SpecFld
- Custom
- Ending

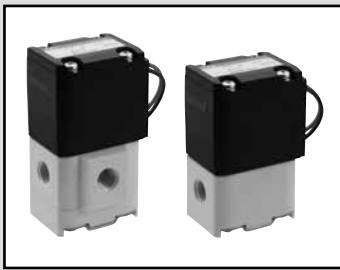
● MYB2 (2-port valve)



● MYG2 (3-port valve)



* When 2 x M5 for mounting is 6 mm or more from the bottom of the mounting plate, the screw cuts into the body or base, leading to cracking. The screw end must be 6 mm or less from the bottom of the mounting plate.



Metal-free 2, 3-port solenoid valve

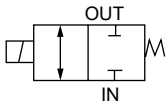
MYB3/MYG3 Series

- NC, universal
- Working fluid: Water/pure water/chemical liquids
- Port size: Rc1/8, Rc1/4, Rc3/8

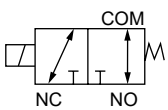


JIS symbol

- MYB3 (2-port)
: NC



- MYG3 (3-port)
: Universal



Specifications

Descriptions	MYB3	MYG3							
Working fluid	Water/pure water/chemical liquids (fluids that do not corrode wetted part materials)								
Proof pressure MPa	0.3 (≈44 psi, 3 bar) (water pressure)								
Working pressure MPa	Conditions	Fluid flow direction	Working pressure range of each port	Conditions	Fluid flow direction	Working pressure range of each port			
	IN (+) press	IN→OUT	0 to 0.2	0 to 0.1	COM (+) press	COM→NO or NC	0 to 0.2	0 to 0.1	0 to 0.1
	OUT (+) press	OUT→IN	0 to 0.1	0 to 0.1	NC (+) press	NC→COM	0 to 0.1	0 to 0.1	0 to 0.1
	IN (-) press	OUT→IN	-0.05 to 0	-0.05 to 0	NO (+) press	NO→COM	0 to 0.1	0 to 0.1	0 to 0.1
				COM (-) press	NO or NC→COM	-0.05 to 0	-0.05 to 0	-0.05 to 0	
Fluid temperature °C	5 (41°F) to 60 (140°F)								
Ambient temperature °C	0 (32°F) to 50 (122°F)								
Atmosphere	No explosive or corrosive atmospheres								
Valve seat leakage cm ³ /min	0 (water pressure)								
Port size	Rc1/8, Rc1/4, Rc3/8								
Orifice size mm	5.0 or equiv.								
Cv	0.5								
Mounting orientation	Unrestricted								
Weight kg	0.55	0.6							
Electrical specifications									
Rated voltage	12 VDC/24 VDC/100 VAC(50/60 Hz)								
Voltage fluctuation range	±10%								
Power consumption W	AC	11							
	DC	11.5							
Leakage current mA	2 or less (12 VDC)/1 or less (24 VDC)/2 or less (100 VAC) (*1)								
Thermal class	Class 130 (B)								

*1 : The leakage current from the control circuit must be equal to or less than the values shown in the table.

How to order

MY B 3 - 6 - DC12V

A Number of ports

B Orifice size

C Port size

D Rated voltage

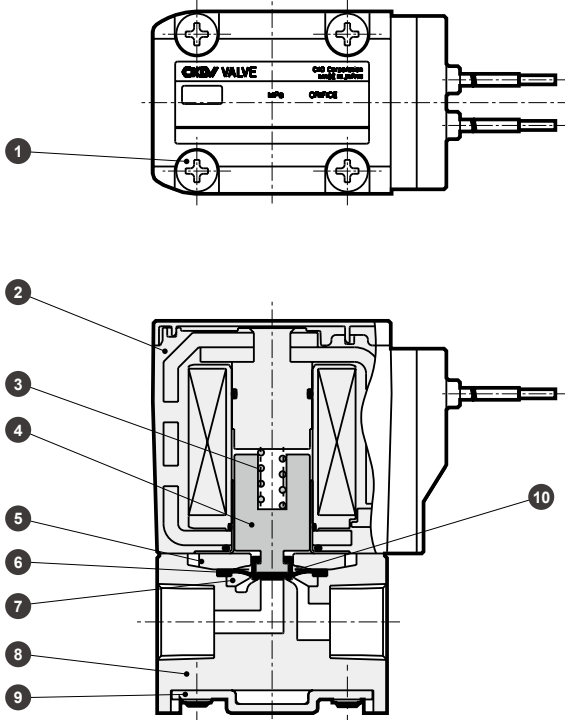
Code	Content
A	B 2-port
	G 3-port
B	3 φ5
C	6 Rc1/8
	8 Rc1/4
	10 Rc3/8
D	DC12V 12 VDC
	DC24V 24 VDC
	AC100V 100 VAC(50/60 Hz)

EXA
FWD
HNB/G
USB/G
FAB/G
FGB/G
FVB
FWB/G
FHB
FLB
AB
AG
AP/
AD
APK/
ADK
DryAir
EX-
XPLNprf
XPLNprf
HVB/
HVL
SAB/
NAB
LAD/
NAD
Water-
Rela
NP/NAP/
NVP
SNP
CHB/G
MXB/G
Other
valves
SWD/
MWD
DustColl
CVE/
CVSE
CCH /
CPE/D
LifeSci
Gas-
Combus
Auto-
Water
SpecFld
Custom
Ending

MYB3/MYG3 Series

Internal structure and parts list

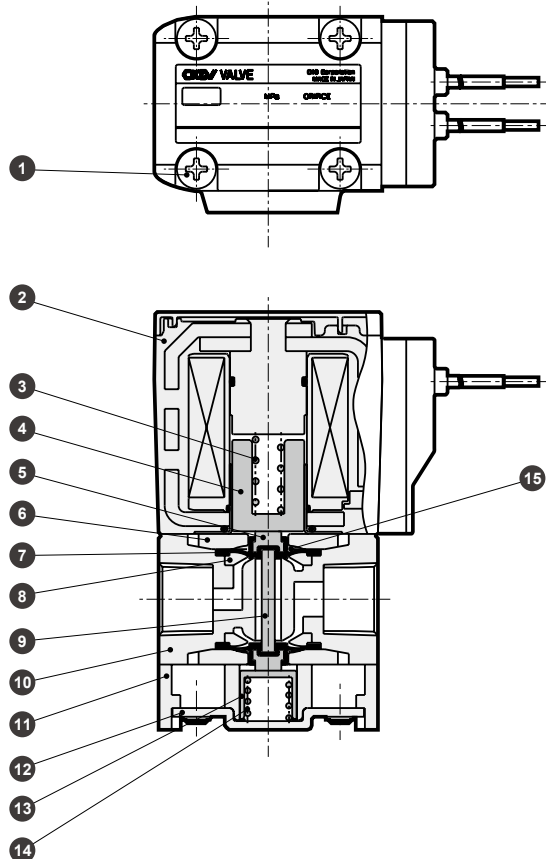
● MYB3



Cannot be disassembled

No.	Part name	Material
1	Cross-recessed pan head machine screw	SUSXM7 ; Stainless steel
2	Coil assembly	Class B molded coil
3	Spring	SUS304 ; Stainless steel
4	Plunger	SUS405 ; Stainless steel
5	Diaphragm adaptor	PPS ; Polyphenylene sulfide
6	Diaphragm	FKM ; Fluoro rubber
7	Diaphragm adaptor	PPS ; Polyphenylene sulfide
8	Body	PPS ; Polyphenylene sulfide
9	Mounting plate	SUS304 ; Stainless steel
10	Protective sheet	PTFE ; Tetrafluoroethylene resin

● MYG3



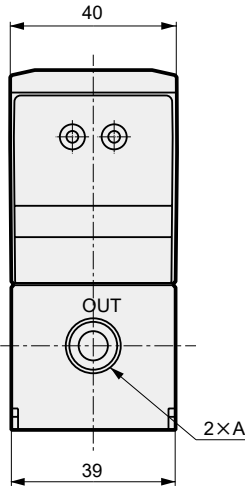
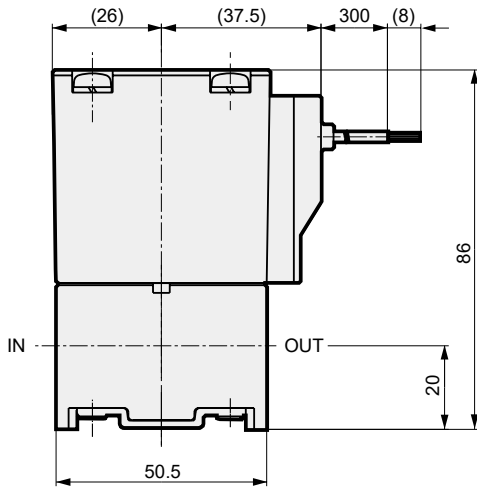
Cannot be disassembled

No.	Part name	Material
1	Cross-recessed pan head machine screw	SUSXM7 ; Stainless steel
2	Coil assembly	Class B molded coil
3	Spring	SUS304 ; Stainless steel
4	Plunger	SUS405 ; Stainless steel
5	Spacer	PPS ; Polyphenylene sulfide
6	Diaphragm adaptor	PPS ; Polyphenylene sulfide
7	Diaphragm	FKM ; Fluoro rubber
8	Diaphragm adaptor	PPS ; Polyphenylene sulfide
9	Rod	Ceramic
10	Body	PPS ; Polyphenylene sulfide
11	Base	PPS ; Polyphenylene sulfide
12	Mounting plate	SUS304 ; Stainless steel
13	Spring holder	SUS304 ; Stainless steel
14	Spring	SUS304 ; Stainless steel
15	Protective sheet	PTFE ; Tetrafluoroethylene resin

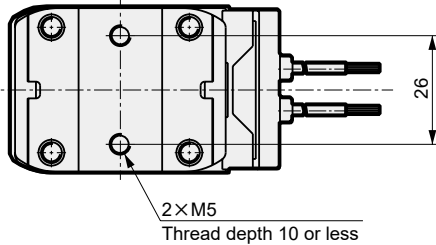
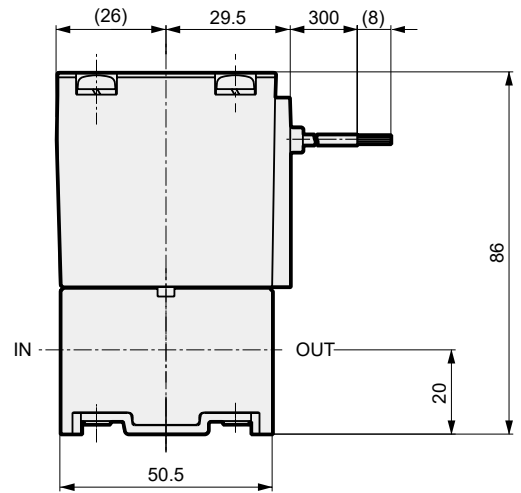
Dimensions



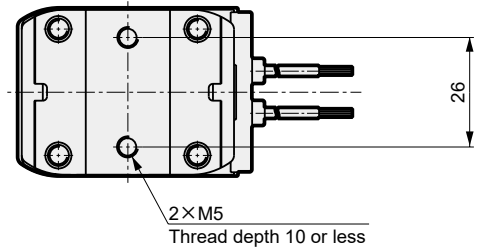
● MYB3 [For AC]



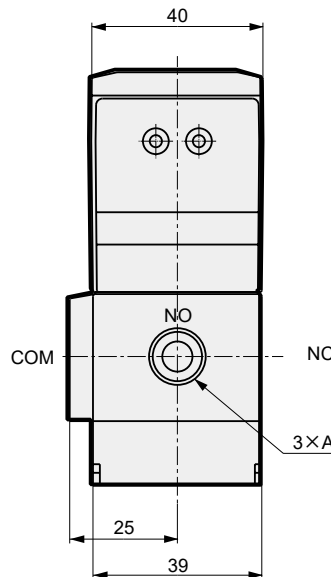
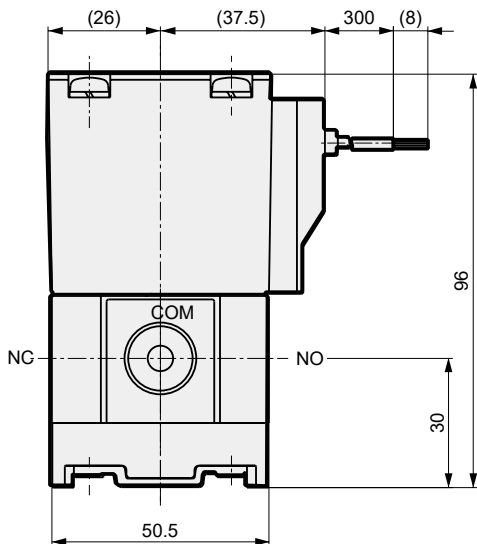
[For DC]



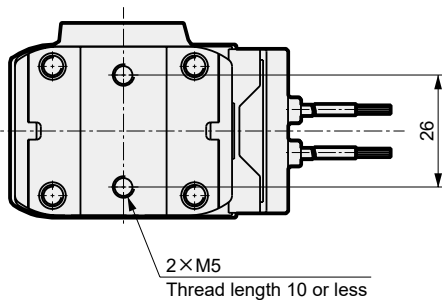
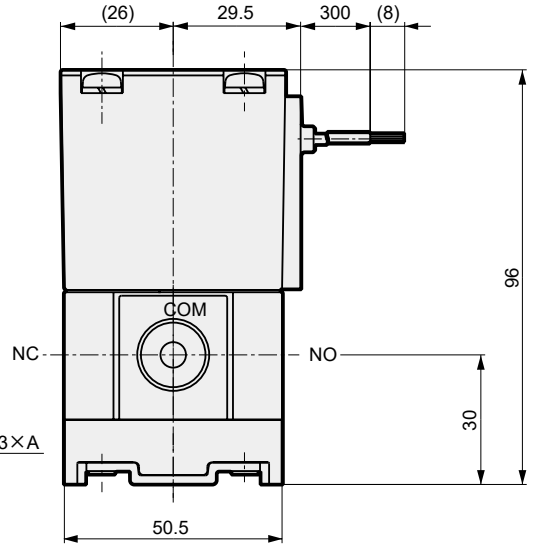
Model No.	A
MYB3-6	Rc1/8
MYB3-8	Rc1/4
MYB3-10	Rc3/8



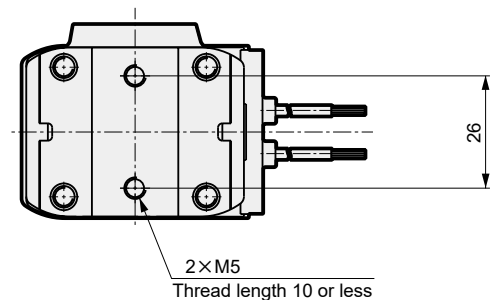
● MYG3 [For AC]



[For DC]



Model No.	A
MYG3-6	Rc1/8
MYG3-8	Rc1/4
MYG3-10	Rc3/8



EXA
FWD
HNB/G
USB/G
FAB/G
FGB/G
FVB
FWB/G
FHB
FLB
AB
AG
AP/ AD
APK/ ADK
DryAir
EX- XPLNprf
XPLNprf
HVB/ HVL
S ∇ B/ NAB
LAD/ NAD
Water- Rela
NP/NAP/ NVP
SNP
CHB/G
MXB/G
Other valves
SWD/ MWD
DustColl
CVE/ CVSE
CCH / CPE/D
LifeSci
Gas- Combus
Auto- Water
SpecFld
Custom
Ending