



Resin solenoid valve for automatic watering

# GSV resin solenoid valve

- For watering of greenbelts, protected horticulture, parks, and urban greenery
- Continuously energized, latch
- Pilot operated diaphragm

## Applications

- Irrigation and watering for protected horticulture
- Watering of parks and urban greenery
- Watering of gardens and indoor and outdoor plantings

## Overview

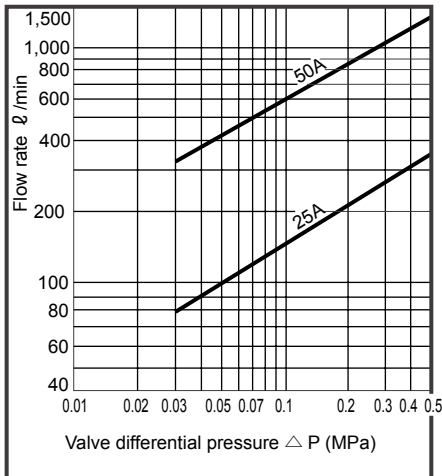
- Lightweight and low cost with a resin body
- Molded coil with excellent water resistance
- Diluted agricultural chemicals and liquid fertilizers can also be used \*
- Equipped with a self-cleaning filter for pilot flow path protection
- Low water hammer
- Capable of battery control with a latch coil

## Specifications

Descriptions	GSV-25A-25	GSV-50A-25
Working fluid	Water/agricultural water/diluted agricultural chemicals/liquid fertilizers, etc. *	
Max. working pressure MPa	0.5	
Working pressure differential MPa	0.03 to 0.5	
Proof pressure (water pressure) MPa	1.5	
Fluid temperature °C	4 to 40 (no freezing)	
Ambient temperature °C	0 to 50	
Valve seat leakage cm <sup>3</sup> /min	0.1 or less (water)	
Orifice size mm	25	50
Cv	10.4	42
Mounting orientation	Use in the horizontal piping with the coil portion facing upwards or in vertical piping with the OUT port facing upwards.	
Port size	Rc1 or equivalent	Rc2 or equivalent
Body material	PP (polypropylene)	
Weight kg	1	1.6
Rated voltage	24 VDC, 24/100/200 VAC (50/60 Hz), P type *1	
Power consumption W	AC/2.5, DC/3	
Thermal class	Class 130 (B) (JIS C 4003)	
Leakage current mA	6 or less/24 VAC, 1.9 or less/100 VAC, 0.7 or less/200 VAC, 4 or less/24 VDC	

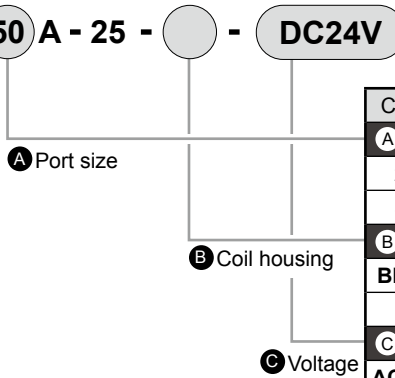
\* Limited to fluids that will not cause corrosion of the wetted part materials.

## Flow characteristics



## How to order

GSV - **50** A - 25 - **DC24V**



Code	Content
<b>A</b>	<b>Port size</b>
25	Rc1 or equivalent
50	Rc2 or equivalent
<b>B</b>	<b>Coil housing *4</b>
Blank	Standard
P	Latch *1
<b>C</b>	<b>Voltage</b>
AC24V	24 VAC 50/60 Hz *3
AC100V	100 VAC 50/60 Hz *3
AC200V	200 VAC 50/60 Hz *3
DC24V	24 VDC *2

\*1 The coil housing P type is dedicated for use with controllers manufactured by CKD.

The voltage of the model No. is not required when placing an order.

Applicable controller

·RSC-S5, RSC-G Series

·RSC-1WP, RSC-2WP

\*2 The 24 VDC is equipped with a surge suppressor device.

\*3 The AC coils are all equipped with rectifying surge suppressors. (Half-wave)

\*4 All lead wires are 2-conductor types.

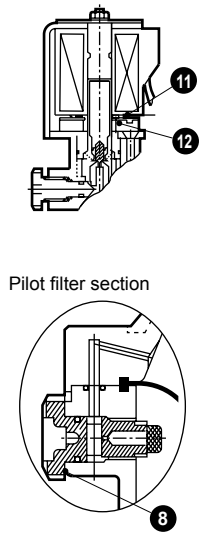
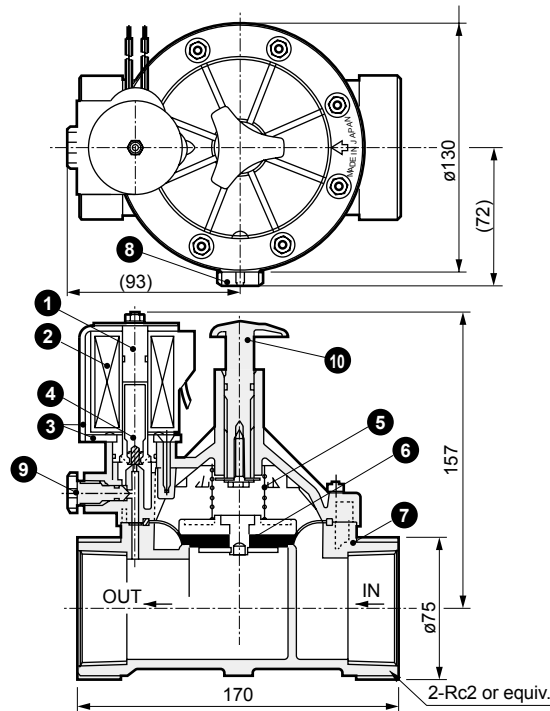
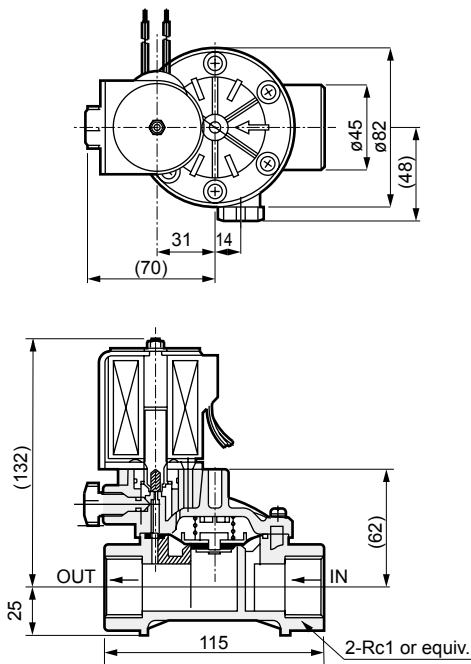
### Internal structure and dimensions

○ Lead wire color coding: DC coil - red-black, less than 200 VAC - blue, 200 VAC or more - red  
 ○ Lead wire length: 700 mm

● GSV-25A-25

● GSV-50A-25

● P: latch



No.	Part name	Material	No.	Part name	Material
1	Core assembly	SUS430	7	Body	PP
2	Coil	-	8	Pilot filter	PP, SUS
3	Core A/B	SUS430	9	Manual operation needle	PP
4	Plunger	K-M31	10	Flow rate adjusting handle	PP
5	Spring	SUS304	11	Ring plate	SUS430 (latch only)
6	Diaphragm assembly	NBR, PP, SUS	12	Magnet	DPM-2 (latch only)

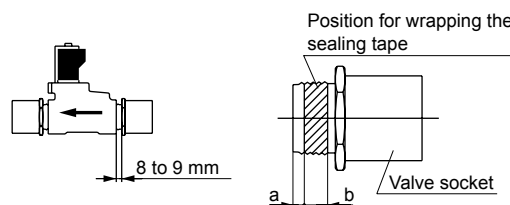
(Note) Components of No. 1, 3 to 10 are the wetted parts.

## ⚠ Precautions when valve socket piping

\* Always read the precautions in the instruction manual before starting use.

\* GSV, GSV2 types : Observe the common precautions.

Securely wrap sealing tape around the threaded portion of the valve socket 5 times (50 A) or 3 times (25 A) and screw the socket in until the dimension of the portion below the screw head is 8 to 9 mm as shown below. Screwing the bolt too far in will cause damage. Do not use metal nipples.



Bore size	Dimensions		Tightening torque N·m
	a	b	
25 A	5	15	5.9
50 A	7	17	9.3