



Automatic watering controller for golf courses, greenbelts, farmlands, etc.

RSC-S5 solar controller

- Commercial power supply not required (solar battery)
- Day of the week configuration

Applications

- Watering of golf courses and soccer fields
- Watering of farmlands and orchards
- Watering of parks and urban greenbelts
- Watering of greenery within buildings and on rooftops
- Watering for prevention of dust pollution
- Other watering in places where commercial power supply is not available

Applicable solenoid valve series

Latch (pulse voltage)

- RSV-20A-210K-P to 100F-210-P
- RSV-20A-210W-7L011-DC6V to 50A
- GSV2-20*-P to 50*
- GSV-25A-25-P to 50A

Overview

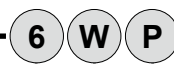
- Commercial power supply not required
- Can be freely installed in any direction
- Rust-free with a stainless steel box
- Low cost of facilities and construction
- Capable of configuring programs max. 9 times per day
- Capable of sequentially or arbitrarily configuring the watering order
- Capable of temporary and manual watering
- Measures against lightning-induced failures
- Battery protection circuit equipped
- Capable of control up to 500 m with 1.25 mm² 2-conductor wires

Specifications

Descriptions	RSC-S5-6WP
Watering setting method	Arbitrary configuration of days of the week
Watering order	Sequentially (arbitrarily also available)
Configuration and No. of times to water	Max. 9 times/day
Watering time	Arbitrary for every channel
Upper limit of watering time	Up to 23 hours 59 minutes/day for each interval
Temporarily programmed watering	Available
Skip watering function	Available
Simultaneous watering	Available
Manual watering	Available
External stop	Available
Control output voltage	Polarity inverted pulse energizing (6 to 12 VDC)
Control No. (CH No.)	6CH
Connected solenoid valve No.	1/CH
Lightning-induced failure prevention	Anti-surge 2500 A (8/20 μs) varistor integrated
Control distance (2-conductor)	500 m/1.25 mm ² , 800 m/2 mm ²
Solar cell (solar battery)	6 VDC 1.3 W
Lead storage battery	6 VDC 5,000 mAh
Ambient temperature	-5 to 40°C
Storage ambient temperature	-25 to 60°C
Option	Pole (RSC-S-POLE), rain sensor (RS-6)
Material/paint color/weight	SUS304 t1.5, 7.5BG6/1.5 glossy (gray-based), 9.5kg
Installation	Outdoors
Stop watering with rain sensor (RS-6)	Available (rain sensor can be mounted on the body of the controller)

How to order

RSC-S5-6WP



A Channel No.

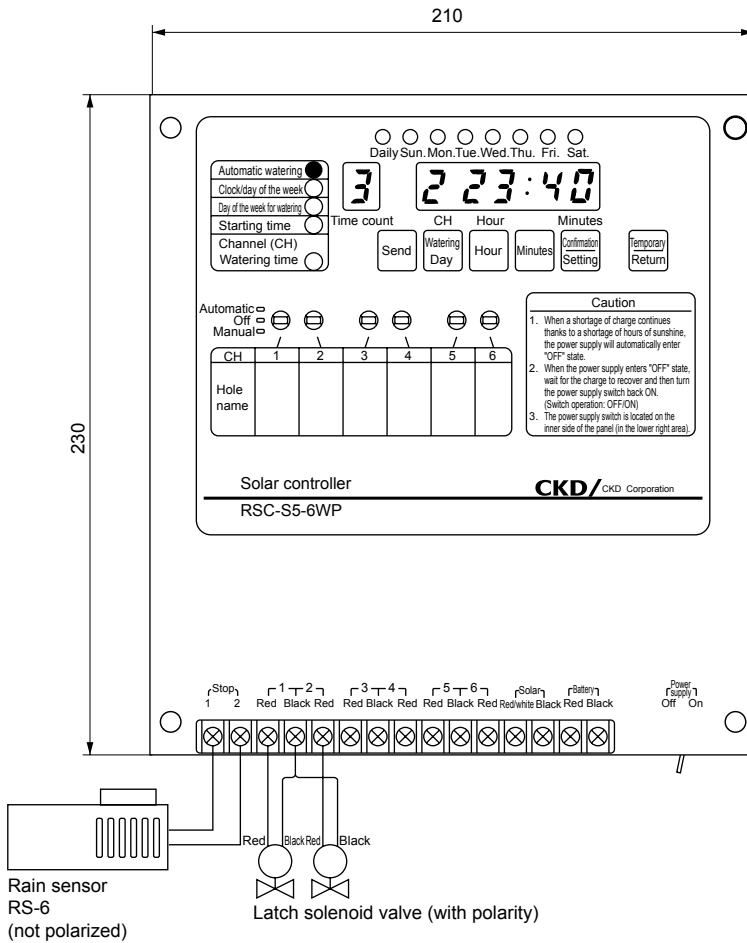
B Watering method

C Control method

Code	Content
A	Channel No.
6	6CH
B	Watering method
W	Day
C	Control method
P	Pulse voltage

Control unit operating section/wiring

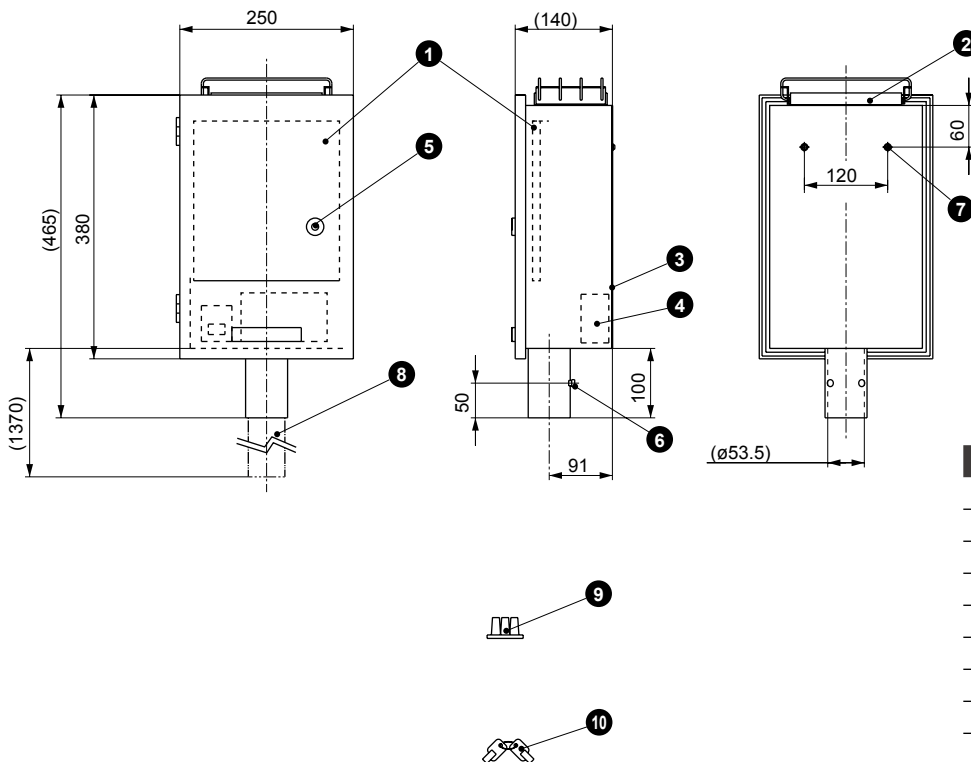
● For RSC-S5-6WP



⚠ Precautions

- Always read the precautions in the attached instruction manual before starting use.
- In order to maintain power generating efficiency, perform daily inspections to always keep the solar panel surface clean and make sure the unit is installed in a location that is exposed to sunlight. The power generating efficiency of the solar cells will decrease due to adhesion of bird droppings or dead leaves and will hinder the ability to control watering.
- When the battery voltage decreases, the battery protection circuit will operate and the display will be ineffective even when the confirmation button is pressed. After recovery of the battery voltage, turn the power supply back ON and re-configure the unit.
- Manual operation will be given the highest priority. Manual Operation → Stop → Temporary Operation → Automatic Operation
- Make sure the unit is installed in a location that is exposed to sunlight (for more than 4 hours/day).
- When the rain sensor (RS-6) is connected to the stop terminal, watering will be stopped when the cumulative rain volume has reached 6 mm. Recovery will be performed automatically depending on the situation of the weather.

Internal structure and dimensions



No.	Part name
1	Control unit
2	Solar cell (solar battery)
3	Box (stainless steel)
4	Lead storage battery (battery)
5	Coin lock with cap
6	Hexagon head bolt
7	⊕ pan head screw
8	Pole (separately sold option)
9	Cable bushing (included)
10	Key (included)

Paint color: 7.5BG6/1.5 glossy (gray-based)



Automatic watering controller for greenery, parks, grounds, etc.

RSC-G watering controller

- Free power supply 100/200 VAC shared (commercial power supply)
- Day of the week configuration

Applications

- Watering of parks and urban greenbelts
- Watering of greenery within buildings and on rooftops
- Watering of various grounds such as soccer fields
- Watering of farmlands and orchards
- Watering for prevention of dust pollution
- Others

Applicable solenoid valve series

Latch (pulse voltage)

- RSV-20A-210K-P to 100F-210-P
- RSV-20A-210W-7L011-DC6V to 50A
- GSV2-20*-P to 50*
- GSV-25A-25-P to 50A

Overview

- Commercial power supply free input (85 VAC to 264 VAC, 50/60 Hz)
- Capable of control up to 500 m with 1.25 mm² 2-conductor wires
- Rust-free with a stainless steel box
- Power failure memory protection for a max. of 40 days
- Capable of configuring programs max. 9 times per day
- Capable of sequentially or arbitrarily configuring the watering order
- Capable of temporary and manual watering
- Measures against lightning-induced failures

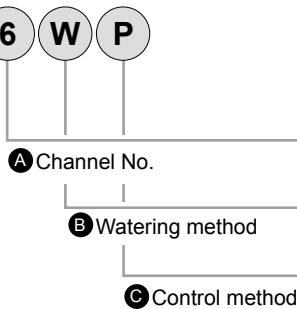
Specifications

Descriptions	RSC-G-6WP
Watering setting method	Arbitrary configuration of days of the week
Watering order	Sequentially (arbitrarily also available)
Configuration and No. of times to water	Max. 9 times/day
Watering time	Arbitrary for every channel
Upper limit of watering time	Up to 23 hours 59 minutes/day for each interval
Temporarily programmed watering	Available
Skip watering function	Available
Simultaneous watering	Available
Manual watering	Available
External stop	Available
Control output voltage	Polarity inverted pulse energizing (6 to 12 VDC)
Power consumption	20 W/30 W or less (100 V/200 V)
Control No. (CH No.)	6CH
Connected solenoid valve No.	1/CH
Lightning-induced failure prevention	Anti-surge 2500 A (8/20 μs) varistor integrated
Control distance (2-conductor)	500 m/1.25 mm ² , 800 m/2 mm ²
Rated voltage	85 to 264 VAC (50/60 Hz)
Power failure protection	40 days or more (only after the unit has been energized for 48 hours or more)
Ambient temperature	-5 to 40°C
Storage ambient temperature	-25 to 60°C
Option	Rain sensor (RS-6)
Box material/paint color/weight	SUS304 t1.5, 7.5BG6/1.5 glossy (gray-based), 9.5 kg
Installation	Indoors, outdoors
Stop watering with rain sensor (RS-6) *1	Available

*1 As the rain sensor cannot be mounted on the body of the controller, be sure to separately install and fix the sensor in a location within 5 m from the unit.

How to order

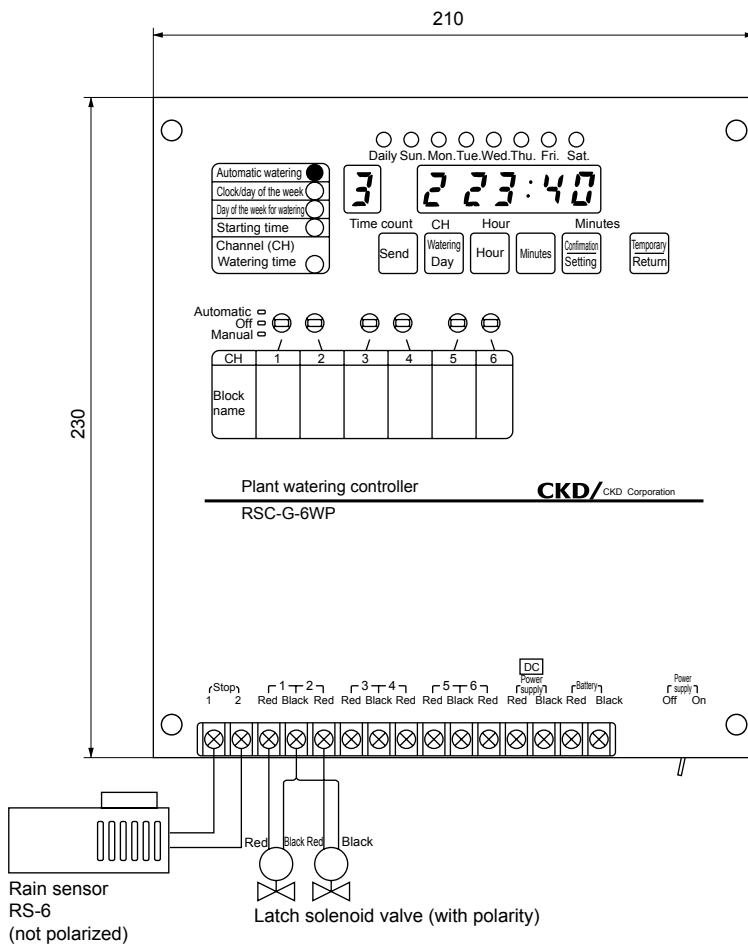
RSC-G-6 W P



Code	Content
A	Channel No.
6	6CH
B	Watering method
W	Day
C	Control method
P	Pulse voltage

Control unit operating section/wiring

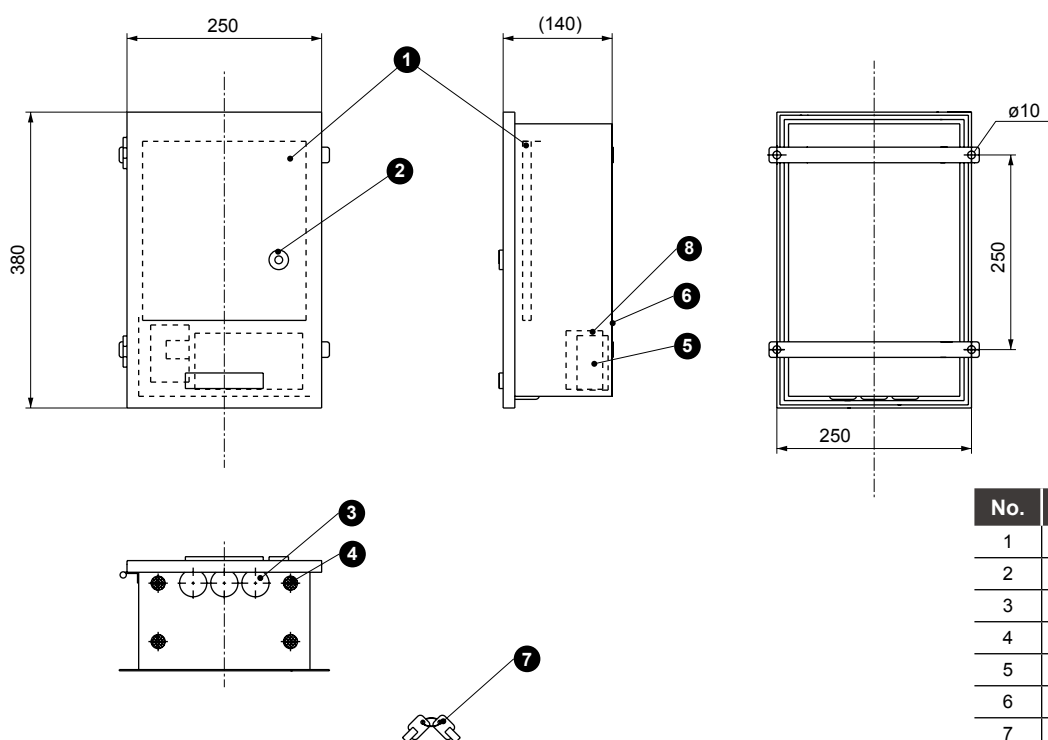
● For RSC-G-6WP



⚠ Precautions

- Always read the precautions in the instruction manual before starting use.
- When fixing the box onto a pole, be sure to use the mounting brackets (PM-317, PM-323, PM-330, PM-340) manufactured by Nitto Kogyo.
- When the storage battery voltage decreases due to power failure (40 days or more), etc., the battery protection circuit will automatically operate and the power supply will enter the "OFF" state. In this case, wait for the charge to recover with a commercial power supply, turn the power supply switch back ON, and configure the program.
- Manual operation will be given the highest priority. Manual Operation → Stop → Temporary Operation → Automatic Operation
- When the rain sensor (RS-6) is connected to the stop terminal, watering will be stopped when the cumulative rain volume has reached 6 mm. Recovery will be performed automatically depending on the situation of the weather.

Internal structure and dimensions



No.	Part name
1	Control unit
2	Coin lock with cap
3	Grommet with membrane
4	Ventilation hole
5	Lead storage battery
6	Box (stainless steel)
7	Key (included)
8	Switching power supply

Paint color: 7.5BG6/1.5 glossy (gray-based)



Automatic watering controller for greenery, parks, farmlands, etc.

RSC-1WP battery operated watering controller

- Outdoor type to match greenery
- Day of the week configuration

Applications

- Watering of parks and urban greenbelts
- Watering of greenery within buildings and on rooftops
- Watering of indoor plantings
- Watering of gardens
- Watering for amusement
- Watering of protected horticulture and outdoor cultured vegetables
- Watering in places where a commercial power supply is not available, etc.

Applicable solenoid valve series

Latch (pulse voltage)

- RSV-20A-210K-P to 80F-210K-P
- RSV-20A-210W-7L011-DC6V to 50A
- GSV2-20*-P to 50*
- GSV-25A-25-P to 50A

Overview

- It is possible to perform automatic watering of greenery and within greenhouses where a commercial power supply is not available.
- The unit will operate for approximately 1 year with 1 alkaline battery (9 V).
- It is possible to configure a watering time for up to 2 times per day.
- It is possible to configure the watering time for 1 day to be 1 minute and up to 9 hours and 59 minutes.
- A lockable wall mounted structure which can be mounted outside as is. (Locks not included) (Optional pole holders are available as well.)
- Used to control 1 solenoid valve manufactured by CKD (port size of 20A to 80F).
- Configured with a relay output to prevent lightning-induced failure.

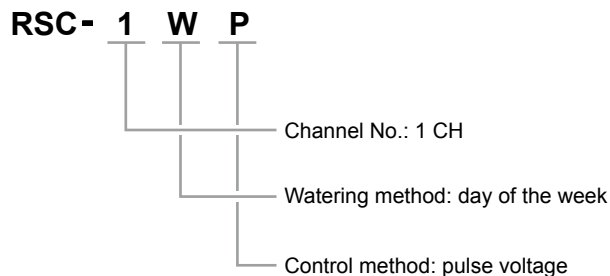
Specifications

Descriptions	RSC-1WP
Watering setting method	Arbitrary configuration of days of the week
Configuration and No. of times to water	Max. 2 times/day
Watering time	1 minute to 9 hours and 59 minutes per interval
Watering method	Automatic, manual (semi-automatic)
External stop	Available
Control output voltage	Polarity inverted pulse energizing (6 to 9 VDC)
Control No. (CH No.)	1CH
Connected solenoid valve No.	1/CH
Control distance (2-conductor)	Within 60 m (0.75 mm ² cable used) Within 100 m (1.25 mm ² cable used)
Ambient temperature	-5 to 40°C
Storage ambient temperature	-20 to 55°C
Power supply voltage	One 9 V alkaline battery (6LR61)
Lightning-induced failure prevention	Anti-surge 2500 A (8/20 μs) varistor integrated
Installation	Indoors/outdoors
Stop watering with rain sensor (RS-6)	Mountable on a pole holder sold separately *1

Note) The clock error is a monthly difference of a max. of approximately ±1 minute. (This varies depending on the usage environment)

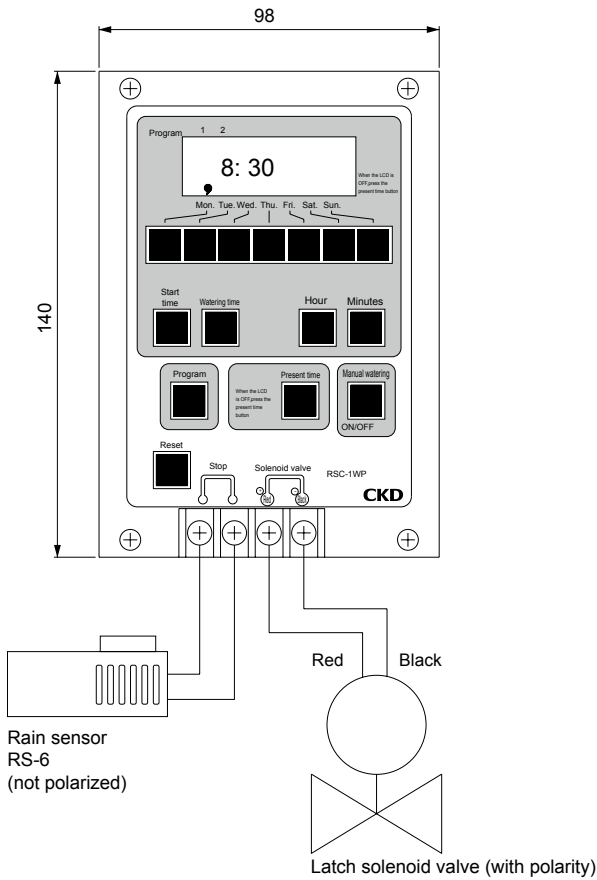
*1 Pole holder model No. (optional) RSC-1WP-PH (common to 1WP, 2WP)

How to order



Control unit operating section/wiring

● RSC-1WP

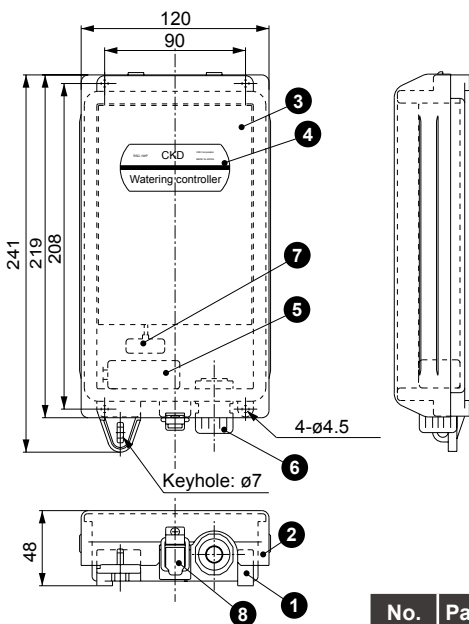


⚠ Precautions

- Always read the precautions in the instruction manual before starting use.
- As the batteries attached with the product are for tests upon shipping, it is recommended that new batteries be purchased upon installation of the unit.
- Be sure to replace the batteries every year.
- Be sure to use a 2-conductor cable and seal the unit with an SC lock ⑥. (Cable outer diameter of $\varnothing 8.5$ to 10.5)
- In order to maintain water resistance, be sure to securely close the cover when not operating the unit.
- Be sure to use a plastic or stainless pipe having a diameter of approximately $\varnothing 35$ for the pole.
- Manual operation will be given the highest priority. Manual Operation → Stop → Automatic Operation
- When the rain sensor (RS-6) is connected to the stop terminal, watering will be stopped when the cumulative rain volume has reached 6 mm. Recovery will be performed automatically depending on the situation of the weather.

Internal structure and dimensions

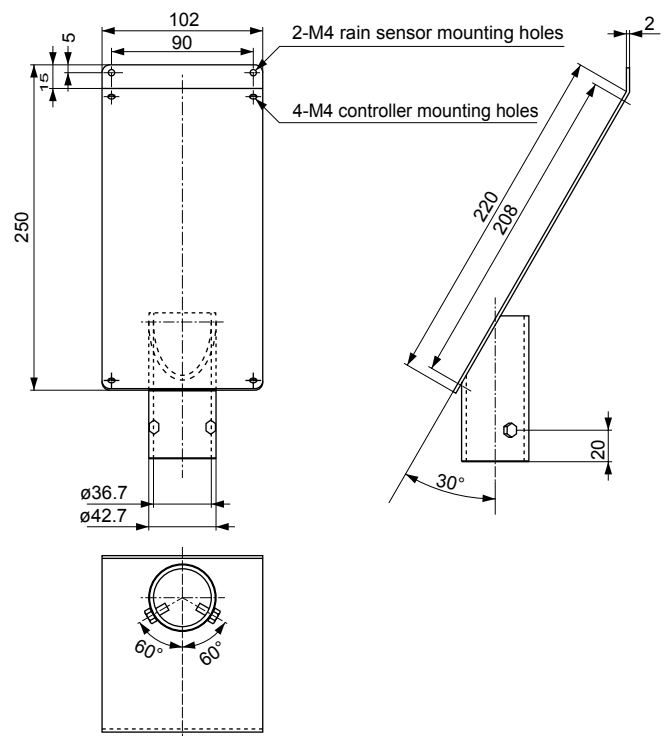
● RSC-1WP



Cover finishing: powder paint
suede stone
(light gray)

No.	Part name
1	Case (AAS resin)
2	Cover (stainless steel)
3	Operating section
4	Product name plate
5	Alkaline battery
6	SC lock
7	Battery hook
8	Hook snap lock

● RSC-1WP-PH



All stainless steel bolts for mounting the controller are included.

RSC-1WP Series

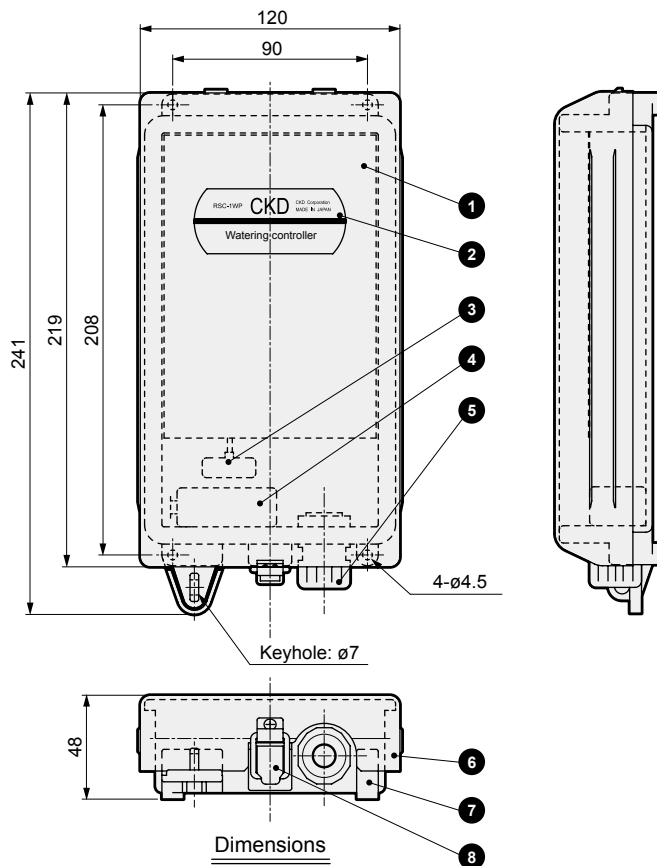
Annual calendar system

Specifications

Descriptions	RSC-1WP-C
Watering setting method	Annual calendar (can be set to any date)
Configuration and No. of times to water	Six intervals (2 times/interval)
Watering time	1 minute to 9 hours and 59 minutes per interval
Watering method	Automatic/manual (semi-automatic)
External stop	Available
Control output voltage	Polarity inverted pulse energizing (6 to 9 VDC)
Control No. (CH No.)	1CH
Connected solenoid valve No.	1/CH
Control distance	Within 60 m (when 0.75 mm ² cable (O.D. ø8.5 to 10) is used)
Operating ambient temperature	-5 to 40°C
Storage temperature	-20 to 55°C
Power supply	One 9 V alkaline battery (6LR61)
Lightning-induced electric failure prevention	Anti-surge 2500 A (8/20 μs) varistor integrated
Installation	Indoors/outdoors (except atmospheres affecting component materials)
Rain sensor mounting	Mountable on a pole holder sold separately *

* Pole holder (optional) model No: RSC-1WP-PH

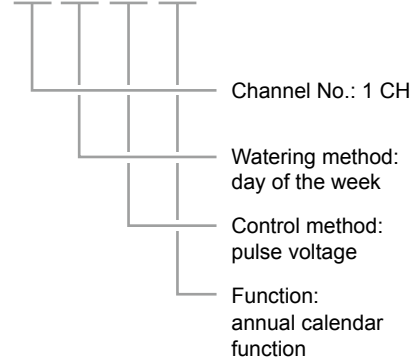
Dimensions



No.	Part name	Material
1	Operating section	
2	Product name plate	
3	Battery hook	
4	Alkaline battery	
5	SC lock	
6	Cover	Stainless steel
7	Case	AAS resin
8	Hook snap lock	

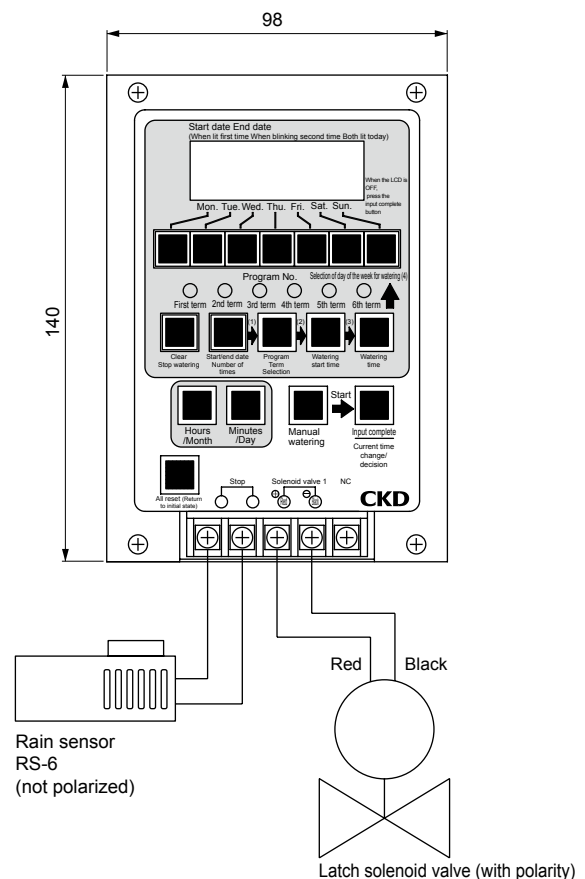
How to order

RSC- 1 W P - C



Control unit operating section/wiring

● RSC-1WP-C



Safety precautions

Always read the precautions in the instruction manual before starting use.

- As the batteries attached with the product are for tests upon shipping, it is recommended that new batteries be purchased upon installation of the unit.
- Be sure to replace the batteries every year.
- Be sure to use a 2-conductor cable and seal the unit with an SC lock. (Cable outer diameter of ø8.5 to ø10.5)
- In order to maintain water resistance, be sure to securely close the cover when not operating the unit.
- Be sure to use a plastic or stainless pipe having a diameter of approximately ø35 for the pole. (When using an optional pole holder)
- Manual operation will be given the highest priority. Manual Operation → Stop → Automatic Operation
- When the rain sensor (RS-6) is connected to the stop terminal, watering will be stopped when the cumulative rain volume has reached 6 mm. Recovery will be performed automatically depending on the situation of the weather.
- Be careful when operating the "All Reset" button as this will clear all details.
- Check the watering status regularly to avoid affecting crop growth due to trouble.

Soil water check method

Specifications

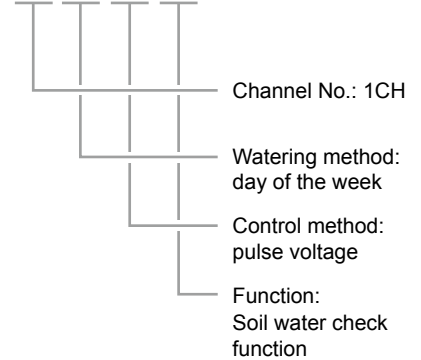
Descriptions	RSC-1WP-H
Watering setting method	Soil water check type (threshold can be set.)
Configuration and No. of times to water	Six terms (2 times/term)
Watering time	1 minute to 9 hours and 59 minutes per 1 time
Watering method	Automatic/manual (semi-automatic)
Watering/non-watering	Watering/non-watering setting based on the water setting value
Control output voltage	Polarity inverted pulse energizing (6 to 9 VDC)
Control No. (CH No.)	1CH
Connected solenoid valve No.	1/CH
Solenoid valve control distance	Within 60 m (when using 0.75 mm ² cable (external ø8.5 to 10) *1)
Operating ambient temperature	-5 to 40°C
Storage temperature	-20 to 55°C
Power supply	One 9 V alkaline battery (6LR61)
Lightning-induced electric failure prevention	Anti-surge 2500 A (8/20 μs) varistor integrated
Installation	Indoors/outdoors (except atmospheres affecting component materials)

* Pole holder (optional) model No: RSC-1WP-PH

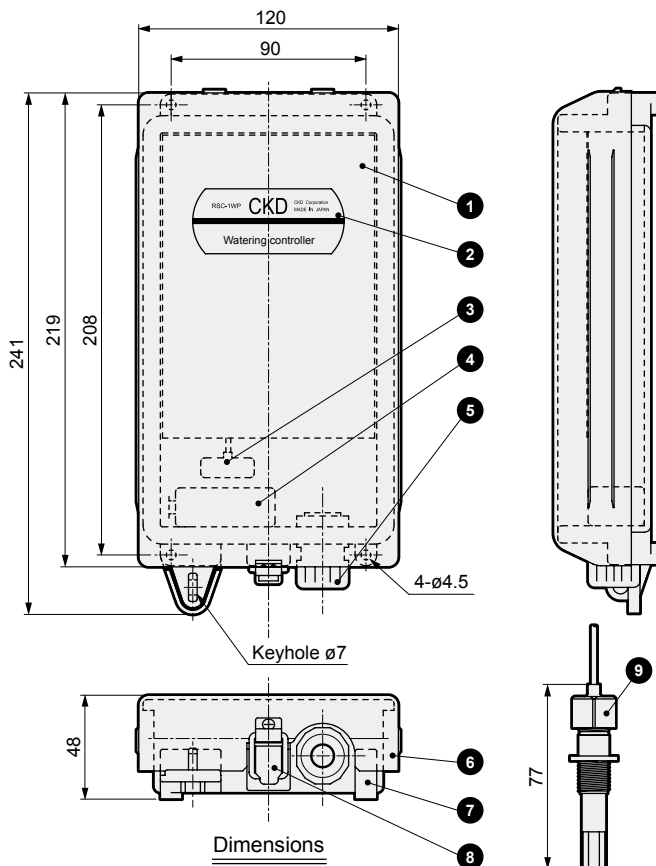
*1 Extension of the checker is to be under 10 m for 0.3 mm². (includes attachment cable 2 m)

How to order

RSC- 1 W P - H

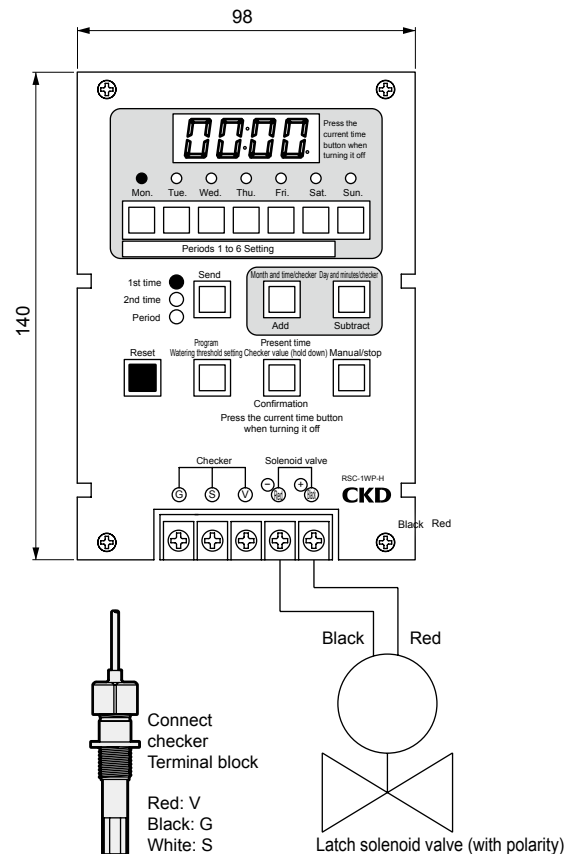


Dimensions



Control unit operating section/wiring

● RSC-1WP-H



No.	Part name	Material
1	Operating section	
2	Product name plate	
3	Battery hook	
4	Alkaline battery	
5	SC lock	
6	Cover	Stainless steel
7	Case	AAS Resin
8	Hook snap lock	
9	Water checker	

⚠ Safety precautions

- As the batteries attached with the product are for tests upon shipping, it is recommended that new batteries be purchased upon installation of the unit.
- Be sure to replace the batteries every year.
- The cable retraction area must be sealed with an SC lock. (Cable outer diameter of ø8.5 to ø10.5)
- In order to maintain water resistance, be sure to securely close the cover when not operating the unit.
- Be sure to use a plastic or stainless pipe having a diameter of approximately ø35 for the pole. (When using an optional pole holder)
- Be careful when operating the "Reset" button as this will clear all details.
- Check the watering status regularly to avoid affecting crop growth due to trouble.
- Use the water checker buried in soil.
- Water checker values are values unique to CKD. As an example, approximately 970 when dry and below 400 when rehydrated. However, values may change greatly depending on the soil and burying method, so be sure to individually check them and then set the threshold. Even when buried again, perform checks and settings again.

Always read the precautions in the instruction manual before starting use.



Automatic watering controller for golf courses, greenbelts, parks, farmlands, etc.

RSC-2WP battery operated watering controller

- Completely independent control of 2CH watering
- Day of the week configuration

Applications

- Watering of golf courses
- Watering of parks and urban greenbelts
- Watering of greenery within buildings and on rooftops
- Watering of indoor plantings
- Watering of gardens
- Watering for amusement
- Watering of protected horticulture and outdoor cultured vegetables
- Watering in places where a commercial power supply is not available, etc.

Applicable solenoid valve series

Latch (pulse voltage)

- RSV-20A-210K-P to 80F-210K-P
- RSV-20A-210W-7L011-DC6V to 50A
- GSV2-20*-P to 50*
- GSV-25A-25-P to 50A

Overview

- It is possible to perform automatic watering of greenery and within greenhouses where a commercial power supply is not available.
- The unit will operate for approximately 1 year with 1 alkaline battery (9 V).
- It is possible to configure a watering time for up to 6 times per day.
- It is possible to configure the watering time for 1 day to be 1 minute and up to 9 hours and 59 minutes.
- A lockable wall mounted structure which can be mounted outside as is. (Locks not included) (Optional pole holders are available as well.)
- Used to control 2 solenoid valves manufactured by CKD (port size of 20A to 80F).
- Configured with a relay output to prevent lightning-induced failure.

Specifications

Descriptions	RSC-2WP
Watering setting method	Arbitrary configuration of days of the week
Configuration and No. of times to water	Max. 6 times/day
Watering time	1 minute to 9 hours and 59 minutes per interval
Watering method	Automatic, manual (semi-automatic)
External stop	Available
Control output voltage	Polarity inverted pulse energizing (6 to 9 VDC)
Control No. (CH No.)	2CH
Connected solenoid valve No.	1/CH
Control distance	Within 60 m (0.75 mm ² cable used)
Ambient temperature	-5 to 40°C
Storage ambient temperature	-20 to 55°C
Power supply voltage	One 9 V alkaline battery (6LR61)
Lightning-induced failure prevention	Anti-surge 2500 A (8/20 μs) varistor integrated
Installation	Indoors/outdoors
Rain sensor mounting	Mountable on a pole holder sold separately *1

Note) The clock error is a monthly difference of a max. of approximately ±1 minute. (This varies depending on the usage environment)

*1 Pole holder model No. (optional) RSC-1WP-PH (common to 1WP, 2WP)

How to order

RSC- 2 W P

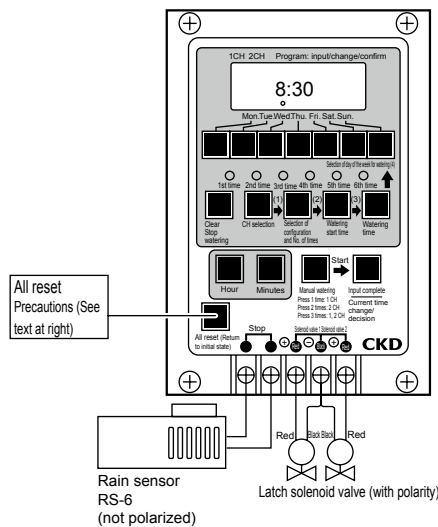
Control method: pulse voltage

Watering method: day of the week

Channel No.: 2 CH

Control unit operating section/wiring

- RSC-2WP

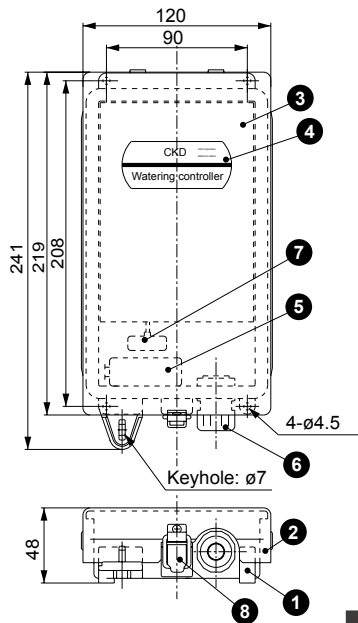


Precautions

- Always read the precautions in the instruction manual before starting use.
- As the batteries attached with the product are for tests upon shipping, it is recommended that new batteries be purchased upon installation of the unit.
- Be sure to replace the batteries every year.
- Be sure to use 3-conductor cable (cable outer diameter of ø8.5 to 10.5) for the wiring of the solenoid valves and arrange the wiring so that the common line is shared before entry into the controller. In addition, be sure to securely seal the cable outlet with silicone, etc., when using rain sensors.
- In order to maintain water resistance, be sure to securely close the cover when not operating the unit.
- Be sure to use a plastic or stainless pipe having a diameter of approximately ø35 for the pole.
- Manual operation will be given the highest priority. Manual Operation → Stop → Automatic Operation
- When the rain sensor (RS-6) is connected to the stop terminal, watering will be stopped when the cumulative rain volume has reached 6 mm. Recovery will be performed automatically depending on the situation of the weather.
- Be careful when operating the "All Reset" button as this will clear all details other than the present time.

Internal structure and dimensions

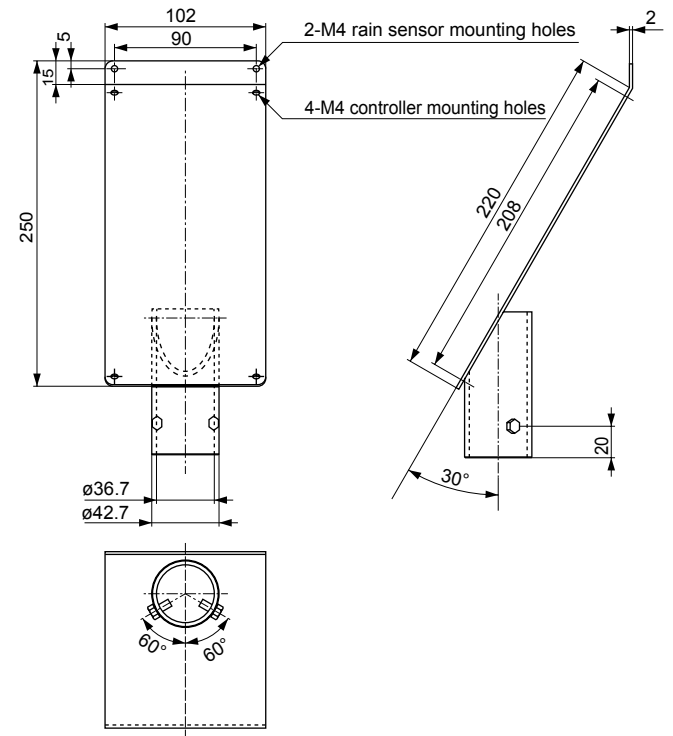
● RSC-2WP



No.	Part name
1	Case (AAS resin)
2	Cover (stainless steel)
3	Operating section
4	Product name plate
5	Alkaline battery
6	SC lock
7	Battery hook
8	Hook snap lock

Cover finishing: powder paint
suede stone
(light gray)

● RSC-1WP-PH (Common to RSC-1WP and 2WP)



Stainless steel bolts for mounting the controller are included.