



For double cutoff compliant with low pressure (5 kPa) to intermediate pressure (25 kPa) specifications.

Equivalent to "DIN3394" groups A and B

Gas cutoff valve (slow open) VLA Series

● City gas/natural gas/LPG

● Port size: Rp1/2, Rp3/4, Rp1, Rp1 1/4, Rp1 1/2, Rp2, Rp2 1/2



Features

- For a wide range of gas pressures ranging from low pressure to intermediate pressure.
- Flow rate adjustment (calorie change) is easy, adjustable even after installation.
- Equipped with a robust dedicated terminal box with JIS standard conduit thread, making electrical wiring easy too.
- The DC driven actuator with rectifier has eliminated noise and coil burnout for safety.
- Dust-proof and drip-proof

Main applications

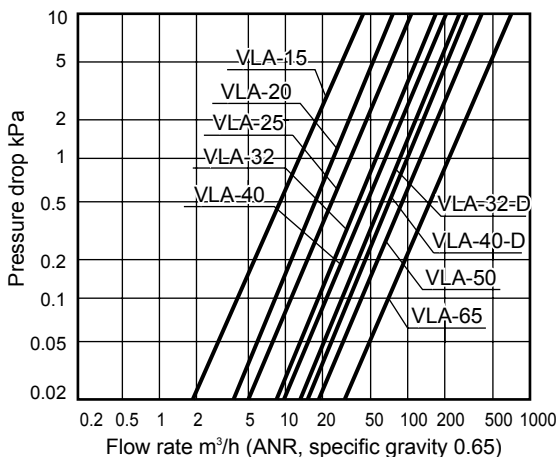
- Gas boilers
- Industrial furnaces
- Gas absorption water coolers/heaters
- Drying furnaces
- Others

Specifications

1 MPa ≈ 145.0 psi, 1 MPa = 10 bar

Descriptions	VLA-15	VLA-20	VLA-25	VLA-32	VLA-40	VLA-50	VLA-65	VLA-32-D	VLA-40-D
Working fluid	City gas/natural gas/LPG								
Working pressure kPa	0 to 25	0 (≈0 psi, 0 bar) to 20 (≈2.9 psi, 0.2 bar)						0 (≈0 psi) to 5 (≈0.7 psi)	
Flow rate <small>Specific gravity of natural gas 0.65 ΔP = 0.25 kPa</small> m ³ /h(ANR)	6.9	14.8	18.7	30.3	34.5	70.0	112.6	45.0	49.0
Cv	4.6	9.9	12.5	20.4	23.2	47.1	75.8	30.3	33.0
Rated voltage	100 AC ^{+10%} / _{-15%}				200 AC ^{+10%} / _{-15%}				
Frequency	Common to 50 and 60								
Power consumption (apparent power) VA	31			50		73	74	50	
Ambient temperature °C	-20 (-4°F) to +60 (140°F) (no freezing)								
Opening time	Approx. 10								
Closing time	1.0 or less								
Frequency Cycle/min.	1 or less								
Flow rate adjustment %	20 to 100						-		
Start gas adjustment %	0 to 70								
Re-energizing intermission time	5.0 or more								
Mounting orientation	Vertical direction with the coil on top or horizontal direction with the coil horizontal								
Connection	Screw-in (Rp)								
Port size	1/2	3/4	1	1 1/4	1 1/2	2	2 1/2	1 1/4	1 1/2
Weight kg	1.9	2.7	2.6	4.2	4.1	8.9	15.2	4.0	4.0
Proof pressure MPa	0.1 (≈15 psi, 1 bar)								

Flow characteristics

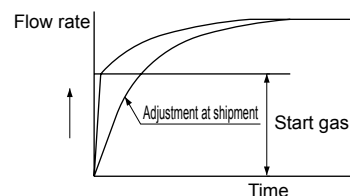


Reference: conversion coefficient

Converted flow rate = (flow rate in table) x (coefficient)

Gas type	Natural gas (13A)	City gas (6B.6C)	Propane	Butane	Butane-air (6A)
Specific gravity (air = 1)	0.65	0.54	1.6	2.0	1.25
Coefficient	1.0	1.09	0.63	0.57	0.72

Opening operation characteristics



How to order



Model No.

A Port size

B Capacity

C Other options

D Voltage

		Model No.						
		VLA-15	VLA-20	VLA-25	VLA-32	VLA-40	VLA-50	VLA-65
Code	Content							
A Port size								
15	Rp1/2	●						
20	Rp3/4		●					
25	Rp1			●				
32	Rp1 1/4				●			
40	Rp1 1/2					●		
50	Rp2						●	
65	Rp2 1/2							●
B Capacity								
Blank	Standard	●	●	●	●	●	●	●
D	Large flow rate specifications				●	●		
C Other options								
Blank	Std. None	●	●	●	●	●	●	●
E	Option With operation confirming μ switch With power indicator lamp With pressure detection port Outdoor	●	●	●	●	●	●	●
L		●	●	●	●	●	●	●
P		●	●	●	●	●	●	●
ZZ		●	●	●	●	●	●	●
D Voltage								
AC100V	Std. 100 VAC 50/60 Hz 200 VAC 50/60 Hz	●	●	●	●	●	●	●
AC200V		●	●	●	●	●	●	●
AC110V	Option 110 VAC 50/60 Hz 220 VAC 50/60 Hz 24 VDC 100 VDC	●	●	●	●	●	●	●
AC220V		●	●	●	●	●	●	●
DC24V		●	●	●	●	●	●	●
DC100V		●	●	●	●	●	●	●

*1 : The combinations indicated with ● above are available.

*2 : If several options of Item C are necessary, contact CKD.

*3 : For voltages other than above, contact CKD.

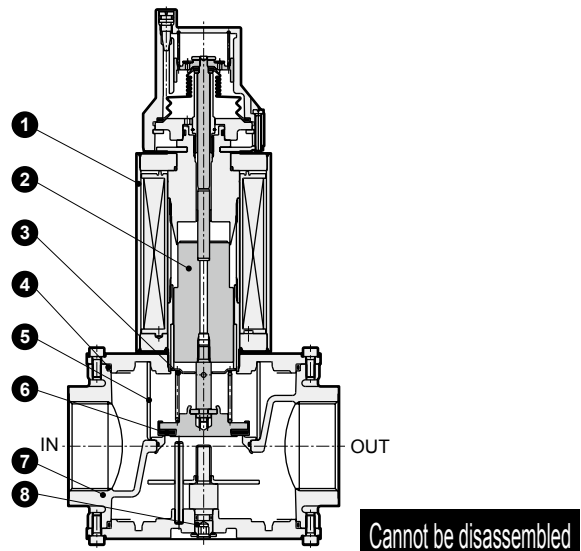
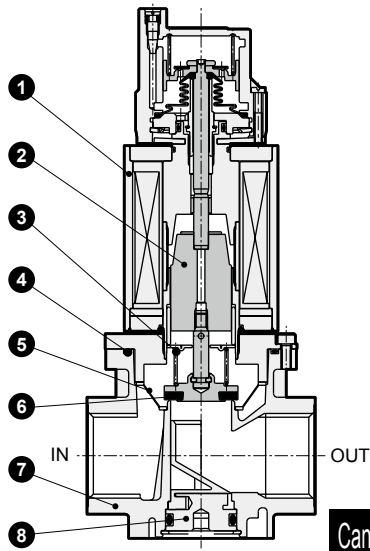
- EXA
- FWD
- HNB/G
- USB/G
- FAB/G
- FGB/G
- FVB
- FWB/G
- FHB
- FLB
- AB
- AG
- AP/
AD
- APK/
ADK
- DryAir
- EX-
XPLNprf
- XPLNprf
- HVB/
HVL
- S ∇ B/
NAB
- LAD/
NAD
- Water-
Rela
- NP/NAP/
NVP
- SNP
- CHB/G
- MXB/G
- Other
valves
- SWD/
MWD
- DustColl
- CVE/
CVSE
- CCH /
CPE/D
- LifeSci
- Gas-
Combus
- Auto-
Water
- SpecFld
- Custom
- Ending

EXA
FWD
HNB/G
USB/G
FAB/G
FGB/G
FVB
FWB/G
FHB
FLB
AB
AG
AP/
AD
APK/
ADK
DryAir
EX-
XPLNprf
XPLNprf
HVB/
HVL
S ∇ B/
NAB
LAD/
NAD
Water-
Rela
NP/NAP/
NVP
SNP
CHB/G
MXB/G
Other
valves
SWD/
MWD
DustColl
CVE/
CVSE
CCH /
CPE/D
LifeSci
Gas-
Combus
Auto-
Water
SpecFld
Custom
Ending

Internal structure and parts list

● VLA-15 to 40

● VLA-50 to 65

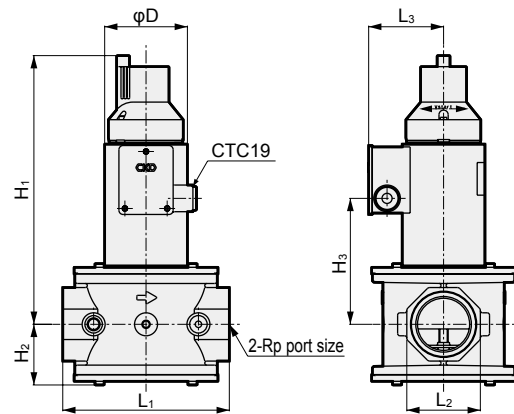
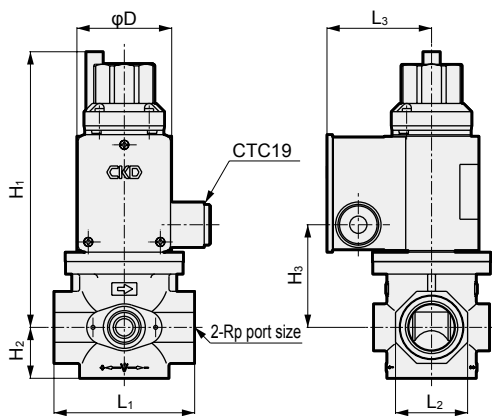


No.	Part name	Material	No.	Part name	Material
1	Bonnet	Steel	5	Strainer	Resin (15 to 50)/stainless steel wire (65)
2	Plunger	Stainless steel	6	Valve disc	Nitrile rubber
3	Spring	Stainless steel wire	7	Body	Aluminum
4	O-ring	Nitrile rubber	8	Flow rate adjustment screw	Aluminum (15 to 40)/steel (50 to 65)

Dimensions

● VLA-15 to 40

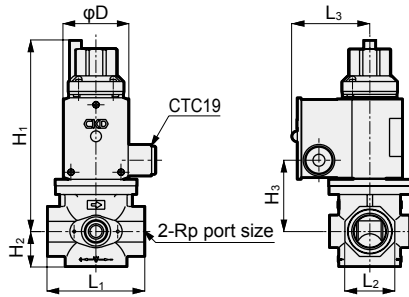
● VLA-50 to 65



Code	Port size	H ₁	H ₂	H ₃	L ₁	L ₂	L ₃	φD
Model No.								
VLA-15	1/2	161.5	24.5	51	69	32	63	50
VLA-20	3/4	176	33	65.5	89	46	68	60.5
VLA-25	1	176	33	65.5	89	46	68	60.5
VLA-32	1 1/4	195	39.5	84.5	128	65	73	70
VLA-40	1 1/2	195	39.5	84.5	128	65	73	70
VLA-50	2	292.5	66.5	137	180	80	83	90
VLA-65	2 1/2	303.5	77.5	148	218	95	101	127
VLA-32-D	1 1/4	203.5	35	93	128	70	73	70
VLA-40-D	1 1/2	203.5	35	93	128	70	73	70

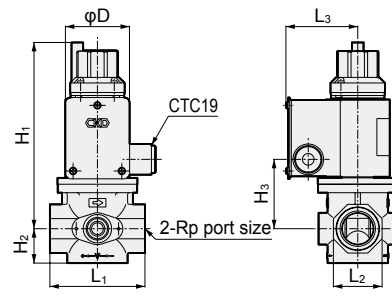
Optional dimensions

- With power indicator lamp
VLA-15 to 65-L



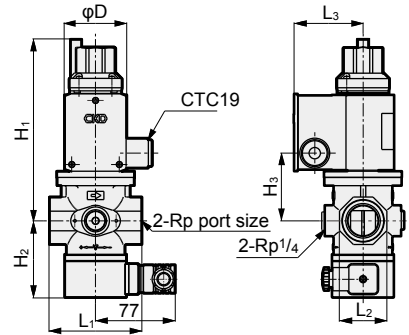
Code Model No.	Port size	H ₁	H ₂	H ₃	L ₁	L ₂	L ₃	φD
VLA-15-L	1/2	161.5	24.5	51	69	32	68	50
VLA-20-L	3/4	176	33	65.5	89	46	73	60.5
VLA-25-L	1	176	33	65.5	89	46	73	60.5
VLA-32-L	1 1/4	195	39.5	84.5	128	65	78	70
VLA-40-L	1 1/2	195	39.5	84.5	128	65	78	70
VLA-50-L	2	292.5	66.5	137	180	80	88	90
VLA-65-L	2 1/2	303.5	77.5	148	218	95	106	127

- Outdoor
VLA-15 to 65-ZZ



Code Model No.	Port size	H ₁	H ₂	H ₃	L ₁	L ₂	L ₃	φD
VLA-15-ZZ	1/2	161.5	24.5	51	69	32	63	50
VLA-20-ZZ	3/4	176	33	65.5	89	46	68	60.5
VLA-25-ZZ	1	176	33	65.5	89	46	68	60.5
VLA-32-ZZ	1 1/4	195	39.5	84.5	128	65	73	70
VLA-40-ZZ	1 1/2	195	39.5	84.5	128	65	73	70
VLA-50-ZZ	2	292.5	66.5	137	180	80	83	90
VLA-65-ZZ	2 1/2	303.5	77.5	148	218	95	101	127

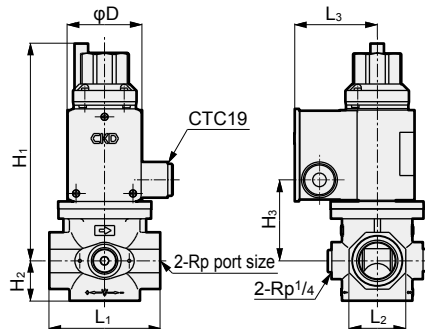
- With for operation confirmation micro switch
VLA-15 to 65-E



* Pressure detection port is provided as standard. Flow rate adjustment is not available.

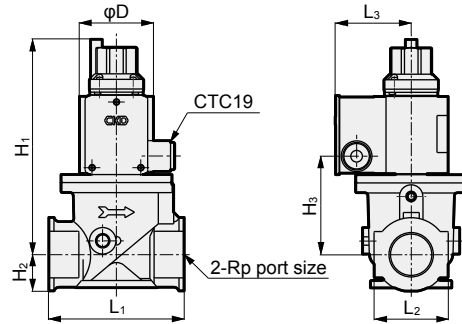
Code Model No.	Port size	H ₁	H ₂	H ₃	L ₁	L ₂	L ₃	φD
VLA-15-E	1/2	161.5	69.5	51	69	32	63	50
VLA-20-E	3/4	176	75	65.5	89	46	68	60.5
VLA-25-E	1	176	75	65.5	89	46	68	60.5
VLA-32-E	1 1/4	195	81.5	84.5	128	65	73	70
VLA-40-E	1 1/2	195	81.5	84.5	128	65	73	70
VLA-50-E	2	292.5	104.5	137	180	80	83	90
VLA-65-E	2 1/2	303.5	115.5	148	218	95	101	127

- With pressure detection port
VLA-15 to 65-P



Code Model No.	Port size	H ₁	H ₂	H ₃	L ₁	L ₂	L ₃	φD
VLA-15-P	1/2	161.5	24.5	51	69	32	63	50
VLA-20-P	3/4	176	33	65.5	89	46	68	60.5
VLA-25-P	1	176	33	65.5	89	46	68	60.5
VLA-32-P	1 1/4	195	39.5	84.5	128	65	73	70
VLA-40-P	1 1/2	195	39.5	84.5	128	65	73	70
VLA-50-P	2	292.5	66.5	137	180	80	83	90
VLA-65-P	2 1/2	303.5	77.5	148	218	95	101	127

- Large flow rate specifications
VLA-32/40-D



* Flow rate adjustment is not available.

Code Model No.	Port size	H ₁	H ₂	H ₃	L ₁	L ₂	L ₃	φD
VLA-32-D	1 1/4	203.5	35	93	128	70	73	70
VLA-40-D	1 1/2	203.5	35	93	128	70	73	70

EXA
FWD
HNB/G
USB/G
FAB/G
FGB/G
FVB
FWB/G
FHB
FLB
AB
AG
AP/ AD
APK/ ADK
DryAir
EX- XPLNprf
XPLNprf
HVB/ HVL
SAB/ NAB
LAD/ NAD
Water- Rela
NP/NAP/ NVP
SNP
CHB/G
MXB/G
Other valves
SWD/ MWD
DustColl
CVE/ CVSE
CCH / CPE/D
LifeSci
Gas- Combus
Auto- Water
SpecFld
Custom
Ending