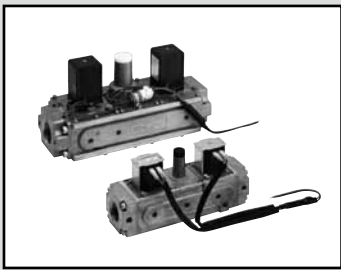


EXA
FWD
HNB/G
USB/G
FAB/G
FGB/G
FVB
FWB/G
FHB
FLB
AB
AG
AP/
AD
APK/
ADK
DryAir
EX-
XPLNprf
XPLNprf
HVB/
HVL
SAB/
NAB
LAD/
NAD
Water-
Rela
NP/NAP/
NVP
SNP
CHB/G
MXB/G
Other
valves
SWD/
MWD
DustColl
CVE/
CVSE
CCH /
CPE/D
LifeSci
Gas-
Combus
Auto-
Water
SpecFld
Custom
Ending



Compact/space saving type that aggregates multiple functions

Low pressure gas combination valve **GAV Series**

- City gas/natural gas/LPG
- Port size: Rp3/4, Rp1, Rp1 1/4, Rp1 1/2

Features

- Double solenoid valve and governor integrated
Improved safety and reliability due to double cutoff with a combination of solenoid valves and governor.
- Reduction of piping work-hours
Significant reduction in piping work-hours is realized compared to the conventional combination of discrete solenoid valve and governor.

Main applications

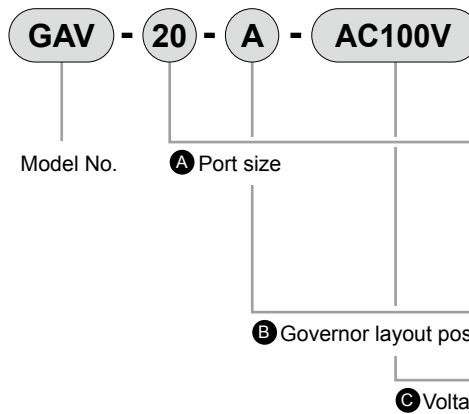
- Gas boilers
- Industrial furnaces
- Gas absorption water coolers/heaters
- Drying furnaces
- Others

Specifications

Descriptions	GAV-20-A	GAV-25-A	GAV-32-A	GAV-40-A
Working fluid	City gas/natural gas/LPG			
Working pressure kPa	0 (≈0 psi, 0 bar) to 5 (≈0.7 psi, 0.05 bar)			
Secondary pressure kPa	0.5 (≈0.08 psi, 0.005 bar) to 1.5 (≈0.21 psi, 0.015 bar)			
Flow rate <small>Specific gravity of natural gas 0.65 ΔP = 0.25 kPa</small> m ³ /h(ANR)	10.0		28.0	
Rated voltage V	100 AC ^{+10%} _{-15%}		200 AC ^{+10%} _{-15%}	
Frequency Hz	Common to 50 and 60			
Power consumption (apparent power) VA	10×2		27×2	
Ambient temperature °C	-20 (-4°F) to +60 (140°F) (no freezing)			
Opening time s	0.5 or less			
Closing time s	1.0 or less			
Frequency Cycle/min.	30 or less			
Mounting orientation	Vertical direction with the coil up or horizontal direction with the coil horizontal			
Connection	Screw-in (Rp)			
Port size	3/4	1	1 1/4	1 1/2
Weight kg	2.4		5.4	
Proof pressure kPa	10 (≈1.4 psi, 0.1 bar)			
Combination	V+G+V		V+G+V	

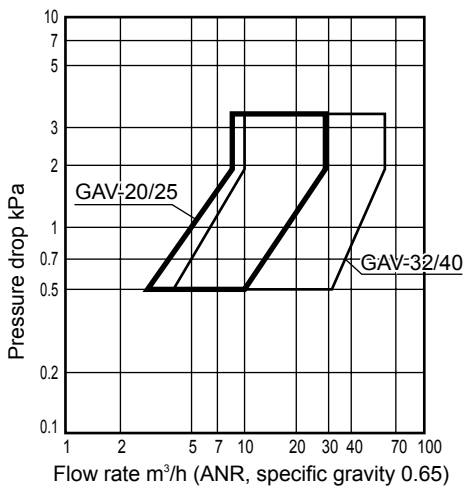
* Flow rate is the maximum flow rate value. * V: Solenoid valve
G: Governor

How to order



Code	Content
A Port size	
20	Rp3/4
25	Rp1
32	Rp1 1/4
40	Rp1 1/2
B Governor layout position	
A	Soln valve + gov + soln valve
C Voltage	
AC100V	100 VAC 50/60 Hz
AC200V	200 VAC 50/60 Hz

Flow characteristics (flow rate control range)

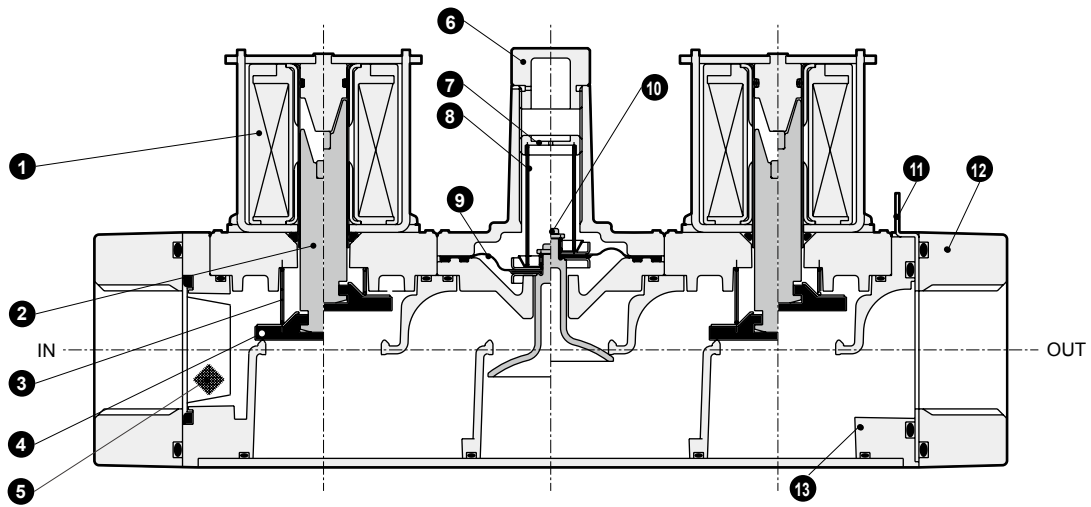


Reference: conversion coefficient

Converted flow rate = (flow rate in table) x (coefficient)

Gas type	Natural gas (13A)	City gas (6B.6C)	Propane	Butane	Butane-air (6A)
Specific gravity (air = 1)	0.65	0.54	1.6	2.0	1.25
Coefficient	1.0	1.09	0.63	0.57	0.72

Internal structure and parts list

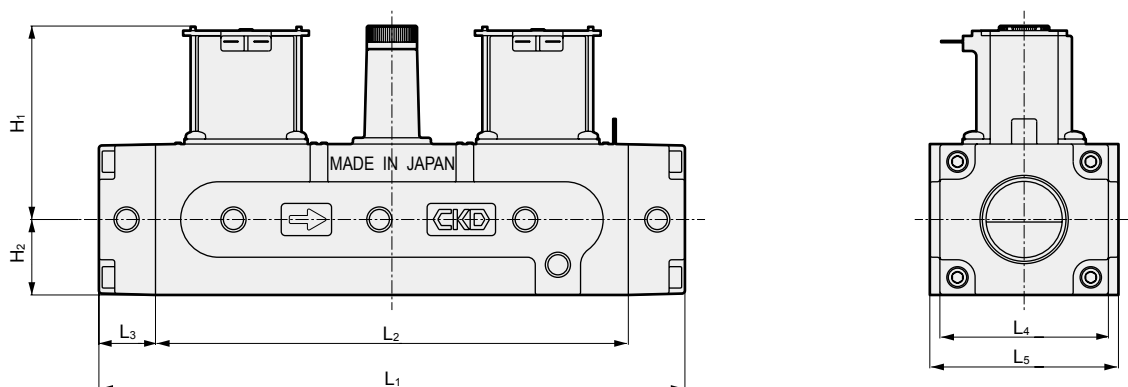


Cannot be disassembled

No.	Part name	Material	No.	Part name	Material
1	Coil winding	Polyester copper wire	8	Pressure adjustment spring	Stainless steel wire
2	Plunger	Steel	9	Diaphragm	Nitrile rubber
3	Spring	Stainless steel wire	10	Governor valving element	Resin
4	Valve disc	Nitrile rubber	11	Orifice plate	Copper alloy plate
5	Strainer	Stainless steel	12	Flange	Aluminum die-casting
6	Cap	Resin	13	Body	Aluminum die-casting
7	Pressure adjustment screw	Resin			

Dimensions

- GAV-20 to 40



Code Model No.	Port size	H ₁	H ₂	L ₁	L ₂	L ₃	L ₄	L ₅
GAV-20-A	3/4	77	30	233	188	22.5	67	75
GAV-25-A	1	77	30	233	188	22.5	67	75
GAV-32-A	1 1/4	124	40	316	262	27	104	120
GAV-40-A	1 1/2	124	40	316	262	27	104	120